



• marchperf.com •

MARCH
PERFORMANCE PULLEYS & BRACKETS

2014-A

#1 Rated
Tech Support

Serpentine Systems, Brackets, Pulleys & More

25 Years Experience, 1,000's of Parts.
We have the correct solution for you!

**Powder
Coated**

NO Polishing Required

Air Cleaners

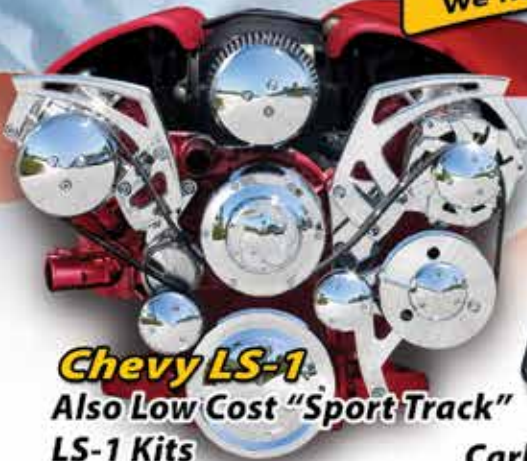


Carbon Fiber Spider Quad
Black Onyx Powder Coat

Revolver

Chevy, Ford, Chrysler
and Pontiac

- Pulleys & Brackets
- Air Cleaners
- Valve Covers
- Alternators
- Power Steering Pumps



Chevy LS-1

Also Low Cost "SportTrack"
LS-1 Kits

Pulleys & Brackets

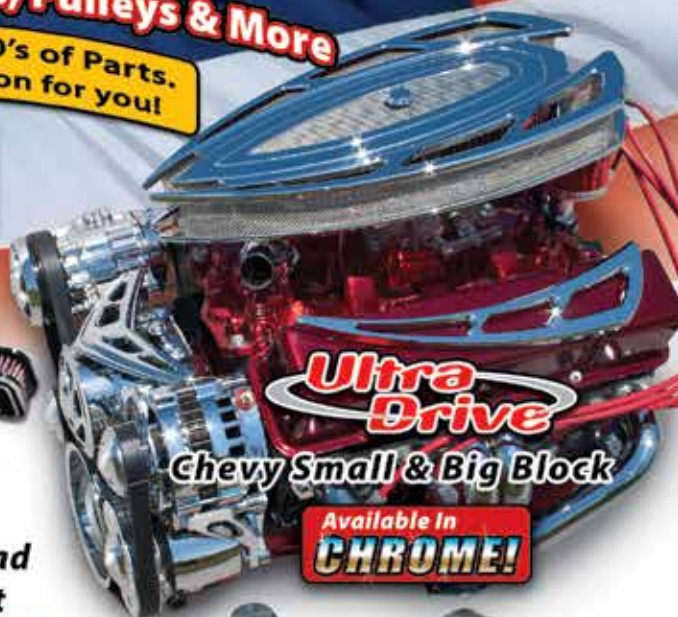
Complete Line, Performance
& High Water Flow



Low Price
SPORT TRACK
High Performance

All Inclusive Kits

Chevy Small, Big Block,
LS Motors, Ford, Chrysler



**Ultra
Drive**

Chevy Small & Big Block

Available In
CHROME!



**Billet Alternator
& Power Steering**

**Style
TRACK**

High Style, Low Cost

Chevy, Ford, Mopar, Buick,
AMC, Olds & Cadillac



Built with Pride by American Hot Rodders

Chevy • Ford • Chrysler • Pontiac • Oldsmobile • AMC • Buick



Welcome to March Performance

Serpentine Systems, Brackets, Pulleys & More

Ultimate Systems & Lowest Price Using Top Brand Name Accessories

Precision, Performance & Style

All March Performance pulleys and brackets are manufactured with a unique blend of durability, performance and "STYLE!." With over 35 years of aircraft and automotive manufacturing experience you can be assured that our systems will fit perfectly and run true!

Quality American Made Materials

All kits are machined from American Made 6061-T6 aircraft grade aluminum, and then we hard coat all high wear surfaces to increase pulley life. Hardened to 65 Rockwell "C" scale. Harder than steel, two times harder than forged aluminum!

"No Polishing Required!"

All March Performance brackets and pulleys are available with clear or black powder coatings that eliminates the need for laborious polishing in those hard to reach places. We use only the finest powders, Guaranteed not to chip or yellow. Many kits can be had in attractive Quality Chrome as well.

March Performance

1-888-729-9070

www.marchperf.com

More Styles & Finishes More Choices

- ➔ Chrome accessories and powder coating finish eliminate polishing.
- ➔ Larger crank pulleys aid in driving your alternator, water pump and A/C unit at idle and low speed cruising where it counts!
- ➔ Hard anodized water pump pulleys and idlers prevent wear.
- ➔ Grade 8 hardware holds strong.
- ➔ Press-on power steering flange eliminates need for you to press on pulley.



CLEAR
Powder Coated
NO Polishing Required



Our New 50,000 sq. ft. Facility in Naples Florida

Style Track



TABLE OF CONTENTS

GM

G.M. Late Model Performance Pulleys	1
G.M. Trucks Performance Pulleys	2
GM Truck Show Covers	2

CHEVY SMALL BLOCK

Chevy LS-1 S.F.I. Fluid Damper Performance Pulleys.....	2
Serpentine Conversion Pulley Sets	3
1984-1991 Corvette Small Block Serpentine Pulley Kits	3
V-Belt Pulley Sets	4
1971-1982 Corvette Small Block V-Belt Pulleys	4
Serpentine & V-Belt Brackets.....	5-8
"Ultra Drive" Front Mount Serpentine Kit	9
"Style Track" Serpentine Kit.....	10
"Revolver" Serpentine Kit	11
"Pro-Track" & "Pro-Track II" Serpentine Kit	12
"Style Track Street Rod" Serpentine Kit.....	13
"Sport-Track" All Inclusive Serpentine Kits	13
Ultra Style Serpentine Kits	14
Electric Water Pump Serpentine Kits	22
Chevy "Ultra" Electric Water Pump Bracket Kits	22
Standard Mount "Ultra" Serpentine Kit	14
"Deluxe" & "Custom" Serpentine Kits	16
"Sport-Track" Mid Mount A/C Serpentine Kit	17
Inward Mount Small Block Serpentine Kit.....	18
Outward and Wide Mount Serpentine Kit.....	18
"Ultra" Outward Mount Serpentine Kit.....	19
Early Corvette Serpentine Kits	20
"Revolver" Electric Water Pump Bracket Kits	22
"Outward Mount" Serpentine Kit.....	22
Chevy LS Motor Serpentine Systems	23
LS-1 Sport Track Serpentine Kits.....	24
LS-1 Pro-Track Serpentine Kits.....	25
LT-1 Serpentine Kits	26

CHEVY BIG BLOCK

V-Belt Pulley Sets	27
Serpentine Conversion Pulley Sets	28
Chevy Big Block Brackets.....	29
Electric Water Pump Bracket Kits	30
Style Track and Revolver Electric Water Pump Bracket Kits.....	30
"Ultra Drive" Serpentine Kit	31
"Style Track" Serpentine Kit.....	32
"Revolver" Serpentine Kit	33
"Pro-Track" & "Pro-Track II" Serpentine Kit	34
"Style Track Street Rod" Serpentine Kit.....	35
Early Model Corvette Serpentine Kit	35
"Sport-Track" All Inclusive Serpentine Kits	36
"Sport-Track" Mid Mount A/C Serpentine Kit	36
"Ultra" Serpentine Conversion	37
Ultra Style Kit.....	37
"Ultra" Serpentine Conversion	38
Ultra Style Kit.....	38
Ultra "Mid Mount"	
Mid Mount Serpentine Conversion	39
"Deluxe" Serpentine Conversion	40

PONTIAC

Pontiac V-8 Serpentine Conversion	42
Pontiac "Ultra" Serpentine Conversion.....	44
Pontiac/Pulleys, Serpentine and V-Belt	41
Pontiac Style/Revolver Serpentine Kits	42
Pontiac Sport Track Serpentine Kits.....	43

CADILLAC

"Style Track" Serpentine Kit.....	48
Cadillac V-Belt Pulleys	48

AMC

American Motors V-Belt Pulleys	46
American Motors Pro Track Serpentine Conversion	46
American Motors Bracket Kts.....	46

OLDSMOBILE

"Style Track" Serpentine Conversion	47
Oldsmobile350/455ci Style Track Kit.....	47
Oldsmobile 455Ci "Ultra" Serpentine Kit	47
Oldsmobile V-Belt Pulleys.....	48

CHEVY 409ci

Chevy 409Ci Serpentine Conversion Kits	41
409Ci V-Belt Pulleys	41

BUICK

Buick Nailhead Serpentine Kit	45
Buick "Style Track" Serpentine Conversion	45
Buick V Groove Pulleys	44
1981-1985 Buick 3.8L.....	44
1986-1987 GN Regal.....	44

FORD

Flathead "Style Track" Serpentine Conversion.....	49
Coyote Serpentine System.....	49
1996-2004 Ford 4.6 Pulleys	50
Ford Ram Air Kits and Power Packs.....	50
Serpentine and V-Belt Brackets	52
Performance Serpentine Pulleys.....	50
5.0 1979 and Later.....	51
3.8 V6!	50
Windsor / Cleveland Serpentine Conversion Pulleys	53
19691/2 & Later 302-351 V-Belt Pulleys.....	53
1965-1969 289-302-351 Windsor Passenger Cars	
V-Belt Pulleys 1965-1977 Trucks.....	53
Ford V-Belt Pulleys.....	53
"Style Track" or "Revolver" Serpentine Drive Kits	55
"Sport Track" Serpentine Drive Kits.....	56
"Deluxe" Serpentine Drive Kits.....	58
"Ultra" Serpentine Drive Kits	57
351 Cleveland "Style Track" Serpentine Drive Kits.....	60
351 Cleveland Brackets	60
Ford Windsor / Cleveland V-Belt Pulleys	53
Ford "FE" / 429-460 V-Belt Pulleys.....	61
351 Cleveland "Style Track" Serpentine Drive Kits.....	60
"FE" Serpentine Drive Kits.....	61
429-460 "Style Track" Serpentine Drive Kits.....	62

CHRYSLER

V-Belt Pulleys.....	63
Mopar Serpentine Pulley Sets.....	64
Alternator & Power Steering Brackets.....	65
383-440 & 426 Hemi Serpentine Kits.....	66
Sport Track 383-440 & 426 Hemi Serpentine Kits	67
392C.I. Serpentine Kits.....	69
5.7 - 6.1 Hemi Serpentine Kits	69
"Ultra" 383-440 & 426 Hemi Serpentine Kits.....	69
318/340/360 Serpentine Conversion	70

ACCESSORIES

In-Dash A/C Systems	71
Power Steering Pulleys.....	73
Alternators and Water Pumps.....	72
Fans, Pulleys and Nose Covers	74
Billet Air Cleaners.....	75 - 76
Billet Wire Looms	76

G.M. Late Model Performance Pulleys

**GM
LATE MODEL**

The Right Choice in Performance Pulleys

- 1. POWER & AMP**
Our pulley systems are designed to give superb performance while maintaining perfect electrical charging. Even at idle.
- 2. DURABLE HARD-COATED SURFACES**
March Performance billet aluminum pulleys are hard-coated and reinforced in areas of high stress and wear.
- 3. MAINTENANCE-FREE POWDER COATINGS**
Our show quality billet pulleys stay looking new with our exceptionally durable clear powder coats

Our Aluminum sets are CNC machined from 6061-T6 billet for extra strength and wear. Finished with "No Polishing" clear Powdercoat.

Performance Series Increases horsepower by reducing accessory drag. 12.5 h.p. at rear wheels typical. Eliminates belt throwing. Designed for normal street driving.

Power & Amp Series Increases horsepower by reducing accessory drag. 11 H.P. at rear wheel. Designed for vehicles with high amperage needs. **EXCELLENT** for towing and heavy stop and go driving.

**CLEAR
Powder Coated
NO Polishing Required**

1985-1987 305-350 Camaro/Firebird / Monte Carlo / GM Truck Small Block

Power and Amp Series (Recommended for Automatic Transmission Vehicles)									
Set#	Material	Crank Pulley	Water Pump Pulley	Alt. Pulley	Alt. Pulley w/ Cover	Price	Optional Alt. Fan	Optional P/S Pulley	Optional Water Pump Nose Cover
4415-08	2 pc. steel/aluminum	5 rib, 2V black aluminum #4021-08		6 rib black steel #110-08		\$111.62			
4420	3 pc. aluminum clear	5 rib, 2V #4031	5 rib, 2V #4032		6 rib #112	\$239.99	221	522	314
Performance Series									
4020-08	2 pc. steel/aluminum	5 rib, 2V black aluminum #4021-08		6 rib black steel #120-08		\$99.27			
4030	3 pc. aluminum clear	5 rib, 2V #4031	5 rib, 2V #4032		6 rib #208	\$239.99	221	522	314

1988-1992 305-350 Camaro/Firebird/Caprice

Power and Amp Series (Recommended for Automatic Transmission Vehicles)									
Set#	Material	Crank Pulley	Water Pump Pulley	Alt. Pulley	Alt. Pulley w/Cover	Price	Optional Alt. Fan	Optional P/S Pulley	Optional Water Pump Nose Cover
4400-08	2 pc. steel/aluminum	6 rib black aluminum #4001-08		6 rib black steel #110-08		\$111.62			
4410	3 pc. aluminum clear	6 rib #4011	Non rib #4012		6 rib #112	\$224.24	221	610	330
Performance Series									
4000-08	2 pc. steel/aluminum	6 rib black aluminum #4001-08		6 rib black steel #120-08		\$99.27			
4010	3 pc. aluminum clear	6 rib #4011	Non rib #4012		6 rib #208	\$224.24	221	610	330

1993-1997 Camaro/Firebird/Impala SS

Power and Amp Series (Recommended for Automatic Transmission Vehicles)				
Set#	Material	Crank Pulley	Alt. Pulley	Price
4485	Aluminum crank and black steel alternator	6 rib #4051	6 rib #121-08	\$122.82
Performance Series				
4050	Aluminum	6 rib #4051		\$98.26



Made in the USA
Using American
6061 T6 Aluminum



12.5 H.P.!

Billet Aluminum Clear Powdercoat

Billet Aluminum with Black Powdercoat

Matching Alternator, Water Pumps, Power Steering Pumps, A/C Compressors, Etc.... See Pages 71-76



If You Need Help Choosing Parts Let Our Experienced Technical Staff Help 1-888-729-9070 www.marchperf.com

G.M. Trucks Performance Pulleys

**GM
LATE MODEL**

1988-2003 with External Alternator Fan 4.3-305-350

Power and Amp Series (Recommended for Automatic Transmission Vehicles)							
Set#	Year	Material	Crank Pulley	Water Pump Pulley	Alt. Pulley	Alternator Pulley w/Cover	Price
4455-08	1988-03	2 pc. steel/aluminum	6 rib black aluminum #4301-08		6 rib black steel #110-08		\$111.62
4465	1988-95	3 pc. aluminum clear	6 rib#4311	Non rib #4312		6 rib #112	\$224.32
4450	1996-97	3 pc. aluminum clear	6 rib#4311	Non rib #4314		6 rib #112	\$224.32
Performance Series							
4300-08	1988-94	2 pc. aluminum/steel	6 rib#4301-08 black aluminum		6 rib #120-08 black steel		\$99.27
4310	1988-95	3 pc. aluminum clear	6 rib#4311	Non rib #4312		6 rib #208	\$224.32

1995-2003 Trucks with Internal Alternator Fan 4.3-305-350

Power and Amp Series (Recommended for Automatic Transmission Vehicles)							
Set#	Year	Material	Crank Pulley	Water Pump Pulley	Alt. Pulley	Alternator Pulley w/Cover	Price
4460-08	1994-03	2 pc. steel/aluminum	6 rib black aluminum #4301-08		6 rib black steel #124-08		\$111.62
4470	1995	3 pc. aluminum clear	6 rib #4311	Non rib #4312		6 rib #125	\$224.32
4490	1996-97	3 pc. aluminum clear	6 rib #4311	Non rib #4314		6 rib #125	\$224.32

1988-2000 454 C.I.

Crank pulley is retained by 3 bolts only

Power and Amp Series (Recommended for Automatic Transmission Vehicles)							
Set#	Year	Material	Crank Pulley	Water Pump Pulley	Alt. Pulley	Alternator Pulley w/Cover	Price
4475-08	1988-02	2 pc. steel/aluminum	6 rib black aluminum #4351-08		6 rib black steel #110-08		\$111.62
4480	1988-97	3 pc. aluminum clear	6 rib #4361	Non rib #4012		6 rib #112	\$224.32
Performance Series							
4350-08	1988-95	2 pc. steel/aluminum	6 rib black aluminum #4351-08		6 rib black steel #120-08		\$99.27
4360	1988-97	3 pc. aluminum clear	6 rib #4361	Non rib #4012		6 rib #208	\$224.32

1994-2000 454 C.I. Duallys and Suburbans

Crank pulley is retained by 4 bolts, 3 pulley bolts and 1 damper bolt

Power and Amp Series (Recommended for Automatic Transmission Vehicles)						
Set#	Material	Crank Pulley	Water Pump Pulley	Alt. Pulley	Price	
4495-08	2 pc. Black steel/aluminum	6 rib black aluminum #4371-08		6 rib black steel #110-08	\$111.62	

GM Truck Show Covers



610



330



376



725



710



221

Matching Billet Aluminum Accessories (1988-95 only)

	Power Steering Pulley	Water Pump Cap	A/C Cover	Idler Pulley	Tensioner Pulley	Alternator Fan
Part No.	610 \$85.25	330 \$28.26	376 \$106.31	725 \$85.25	710 \$85.25	221 \$49.10

Matching 454 C.I. Billet Aluminum Accessories (1988-95 only)

	Power Steering Pulley	Water Pump Cap	A/C Cover	Alternator Fan
Part No.	610 \$85.25	330 \$28.26	376 \$106.31	221 \$49.10

Chevy LS-1 S.F.I. Fluid Damper Performance Pulleys

S.F.I. Approved

Fluid dampened design will not cause spark sensors to retard timing with resultant loss in power unlike some sub standard designed pulleys. Dyno tested at 12H.P. gain. S.F.I. approved.

Part #P4521-08 Camaro/Firebird damper crank pulley.....\$219.40

Part #4505-08 Camaro/Firebird damper crank pulley and power and amp alt pulley.....\$248.69

12H.P.!



Matching Alternator, Water Pumps, Power Steering Pumps, A/C Compressors, Etc..... See Pages 71-76



If You Need Help Choosing Parts Let Our Experienced Technical Staff Help 1-888-729-9070 www.marchperf.com

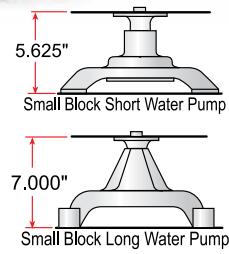
Serpentine Conversion Pulley Sets

Replaces V-Belt Pulleys for No-Slip Operation

Performance Ratios Our performance serpentine pulley sets replace your V-belts and eliminate belt throwing while retaining your standard rotation water pump. Increases horsepower by reducing accessory drag. 12-15 h.p. at rear wheels typical. Precision CNC machined to run perfectly true. 6061-T6 aluminum for extra strength and wear. Finished with a "No Polishing" clear powdercoat.

Mid Performance Ratios Uses performance crank pulley and high water flow water pump pulley.

High Water Flow Ratios Increases cooling by speeding up water flow and fan speed. This helps at critical low speed driving where most overheating occurs.



Long Water Pump Performance Ratios:						
Set#	Crank Pulley	W/P Pulley	Alt. Pulley with Nose Cover	Price	Optional P/S Pulley, Keyway	Optional P/S Pulley, Press Fit
6310	YES	YES	YES	\$238.99		
6330	YES	YES	YES	\$238.99	order #616	order #617
Long Water Pump Mid Performance Ratios:						
6350	YES	YES	YES	\$247.50		
6355	YES	YES	YES	\$247.50	order #616	order #617
Long Water Pump High Water Flow Ratios:						
6370	YES	YES	YES	\$254.48		
6380	YES	YES	YES	\$238.99	order #623	order #624

Short Water Pump Performance Ratios:						
Set#	Crank pulley	Water pump pulley	Alternator pulley with nose cover	Price	Optional water pump nose cover	Optional alternator fan
6210	YES	YES	YES	\$232.65	312	221
Short Water Pump High Water Flow Ratios:						
6270	YES	YES	YES	\$239.62	312	221

NOTE: short water pump cars with P/S see complete kits. Optional long water pump pulley nose cover # 314

- | | | | |
|--|--|--|--|
| 6310 Set Drives: W/P, Alt. | 6350 Set Drives: W/P, Alt. | 6370 Set Drives: W/P, Alt. | 6210 Set Drives: W/P, Alt. |
| 6311 6-Rib Crank Pulley 5 ³ / ₄ " dia. | 6311 6-Rib Crank Pulley 5 ³ / ₄ " dia. | 6371 6-Rib Crank Pulley 7" dia. | 6211 6-Rib Crank Pulley 5 ³ / ₄ " dia. |
| 6312 6-Rib W/P Pulley 6 ¹ / ₄ " dia. | 6322 6-Rib W/P Pulley 5 ¹ / ₄ " dia. | 6322 6-Rib W/P Pulley 5 ¹ / ₄ " dia. | 6212 6-Rib W/P Pulley 6 ¹ / ₄ " dia. |
| 208 6-Rib Alt. Pulley w/Cover 2 ³ / ₄ " dia. | 208 6-Rib Alt. Pulley w/Cover 2 ³ / ₄ " dia. | 208 6-Rib Alt. Pulley w/Cover 2 ³ / ₄ " dia. | 208 6-Rib Alt. Pulley w/Cover 2 ³ / ₄ " dia. |
| 6330 Set Drives: W/P, Alt. and P.S. | 6355 Set Drives: W/P, Alt. | 6380 Set Drives: W/P, Alt. and P.S. | 6270 Set Drives: W/P, Alt. |
| 6331 6&5-Rib Crank Pulley 5 ³ / ₄ " dia. | 6331 6&5-Rib Crank Pulley 5 ³ / ₄ " dia. | 6381 6&6-Rib Crank Pulley 7" dia. | 6271 6-Rib Crank Pulley 7" dia. |
| 6312 6-Rib W/P Pulley 6 ¹ / ₄ " dia. | 6322 6-Rib W/P Pulley 5 ¹ / ₄ " dia. | 6322 6-Rib W/P Pulley 5 ¹ / ₄ " dia. | 6222 6-Rib W/P Pulley 5 ¹ / ₄ " dia. |
| 208 6-Rib Alt. Pulley w/Cover 2 ³ / ₄ " dia. | 208 6-Rib Alt. Pulley w/Cover 2 ³ / ₄ " dia. | 208 6-Rib Alt. Pulley w/Cover 2 ³ / ₄ " dia. | 208 6-Rib Alt. Pulley w/Cover 2 ³ / ₄ " dia. |

NOTE FOR LONG WATER PUMP ENGINES:

If you need a power steering pump we recommend a 1971 Chevy Impala keyed pump # P300 (black) , P304 (chrome) or 9600 (billet) with pulley #616 (5 rib) or # 623 (6 rib)

1984-1991 Corvette Small Block Serpentine Pulley Kits

Our Aluminum sets are CNC machined from 6061-T6 billet for extra strength and wear. Finished with "No Polishing" clear Powdercoat.

Performance Series Increases horsepower by reducing accessory drag. 12.5 h.p. at rear wheels typical. Eliminates belt throwing. Designed for normal street driving.

Power & Amp Series Increases horsepower by reducing accessory drag. 11 H.P. at rear wheel. Designed for vehicle with high amperage needs.

EXCELLENT for towing and heavy stop and go driving.

1984-1987 Corvette Serpentine

Power and Amp Series (Recommended for Automatic Transmission Vehicles)							
Set#	Material	Crank pulley	W/P pulley	Alt. pulley	Alt. pulley with cover	Price	Optional Alt. fan
4435-08	2 pc. steel/aluminum	6 rib black aluminum #4101-08		6 rib black steel #110-08		\$111.62	
4445	3 pc. aluminum clear	6 rib #4111	Non rib #4132		6 rib #112	\$250.22	221
Performance Series							
4120-08	2 pc. steel/aluminum	6 rib #4101-08 black aluminum		6 rib black steel #120-08		\$99.27	
4130	3 pc. aluminum clear	6 rib #4111	Non rib #4132		6 rib #208	\$250.22	221

1988-1991 Corvette Serpentine

Power and Amp Series							
Set#	Material	Crank pulley	W/P pulley	Alt. pulley	Price	Alt. pulley with cover	Optional Alt. fan
4425-08	3 pc. steel/aluminum	6 rib black aluminum #4101-08	Non rib black aluminum #4102-08	6 rib black steel #110-08	\$155.11		
4430	3 pc. aluminum clear	6 rib #4111	Non rib #4112		\$250.22	6 rib #112	221



Matching Alternator, Water Pumps, Power Steering Pumps, A/C Compressors, Etc..... See Pages 71-76

V-Belt Pulley Sets

Long & Short Water Pump



Performance Ratios Increases horsepower by reducing accessory drag. 12-15 h.p. at rear wheels typical. Eliminates belt throwing. Precision CNC machined to run perfectly true. 6061-T6 aluminum for extra strength and wear. Finished with a "No Polishing" clear powdercoat.

High Water Flow Ratios Increases cooling by speeding up water flow and fan speed. This helps at critical low speed driving where most overheating occurs.



Performance Ratios: Long Water Pump							
Set#	Crank Pulley	Water Pump Pulley	Alternator Pulley with Nose Cover	Price	Optional P/S Pulley Keyway	Optional P/S Pulley Press Fit	Optional Alternator Fan
6050	1V	1V	1V	\$227.89			221
6070	2V	1V	1V	\$234.10	1V #513	1V #531	221
6090	3V	2V	1V	\$239.27	2V #521	2V #520	221
6095	3V	3V	1V	\$257.39	2V #521	2V #520	221

High Water Flow Ratios: Long Water Pump							
Set#	Crank Pulley	Water Pump Pulley	Alternator Pulley with Nose Cover	Price	Optional P/S Pulley Keyway	Optional P/S Pulley Press Fit	Optional Alternator Fan
6160	1V	1V	1V	\$243.38			221
6170	2V	1V	1V	\$246.51	1V #513	1V #531	221
6190	3V	2V	1V	\$255.41	2V #521	2V #520	221

Optional: Water pump pulley nose cover #314. Power steering pulley dimension on Page 74.

6050 Set Drives: W/P, Alt.

- 6051 1-Groove Crank Pulley 5 1/2"
- 6052 1-Groove W/P Pulley 6 1/4"
- 137 1-Groove Alt. Pulley w/Cover 2 11/16"

6070 Set Drives: W/P, Alt., P.S.

- 6071 2-Groove Crank Pulley 5 1/2"
- 6052 1-Groove W/P Pulley 6 1/4"
- 137 1-Groove Alt. Pulley w/Cover 2 11/16"
- Optional P.S. Pulley #513 Keyed #531 Press Fit

6090 Set Drives: W/P, Alt., P.S., A/C

- 6091 3-Groove Crank Pulley 5 1/2"
- 6092 2-Groove W/P Pulley 6 1/4"
- 137 1-Groove Alt. Pulley w/Cover 2 11/16"
- Optional P.S. Pulley #521 Keyed #520 Press Fit
- 6095 Set Drives: W/P, Alt., P.S., A/C, A/P**
- 6091 3-Groove Crank Pulley 5 1/2"
- 6112 3-Groove W/P Pulley 6 1/4"
- 137 1-Groove Alt. Pulley w/Cover 2 11/16"
- Optional P.S. Pulley #521 Keyed #520 Press Fit

6160 Set Drives: W/P, Alt.,

- 6161 1-Groove Crank Pulley 7"
- 6152 1-Groove W/P Pulley 5 1/2"
- 137 1-Groove Alt. Pulley w/Cover 2 11/16"

6170 Set Drives: W/P, Alt., P.S.

- 6171 2-Groove Crank Pulley 7"
- 6152 1-Groove W/P Pulley 5 1/2"
- 137 1-Groove Alt. Pulley w/Cover 2 11/16"
- Optional P.S. Pulley #513 Keyed #531 Press Fit

6190 Set Drives: W/P, Alt., P.S., A/C,

- 6191 3-Groove Crank Pulley 7"
- 6092 2-Groove W/P Pulley 6 1/4"
- 137 1-Groove Alt. Pulley w/Cover 2 11/16"
- Optional P.S. Pulley #521 Keyed #520 Press Fit



Performance Ratios: Short Water Pump							
Set#	Crank Pulley	Water Pump Pulley	Alternator Pulley with Nose Cover	Price	Optional P/S Pulley Keyway	Optional P/S Pulley Press Fit	Optional Alternator Fan
6010	1V	1V	1V	\$212.27			221
6015	2V	1V	1V	\$228.86	1V #523	1V #515	221
6030	2V	2V	1V	\$237.12	1V #523	1V #515	221
5090	3V	2V	1V	\$249.17	1V #510	1V #511	221

High Water Flow Ratios: Short Water Pump							
Set#	Crank Pulley	Water Pump Pulley	Alternator Pulley with Nose Cover	Price	Optional P/S Pulley Keyway	Optional P/S Pulley Press Fit	Optional Alternator Fan
6110	1V	1V	1V	\$218.69			221
6120	2V	2V	1V	\$235.31	1V #523	1V #515	221
6130	2V	1V	1V	\$244.37	1V #523	1V #515	221
6140	3V	2V	1V	\$254.40	1V #510	1V #511	221

Optional: Water pump pulley nose cover #312. P/S pulley dimension on Page 74.

6010 Set Drives: W/P, Alt.

- 6011 1-Groove Crank Pulley 5 3/4"
- 6012 1-Groove W/P Pulley 6 1/4"
- 137 1-Groove Alt. Pulley w/Cover 2 11/16"

6015 Set Drives: W/P, Alt., P.S.

- 6031 2-Groove Crank Pulley 5 3/4"
- 6012 1-Groove W/P Pulley 6 1/4"
- 137 1-Groove Alt. Pulley w/Cover 2 11/16"
- Optional P.S. Pulley #523 Keyed, #515 Press Fit

6030 Set Drives: W/P, Alt., P.S. or A/C

- 6031 2-Groove Crank Pulley 5 3/4"
- 6032 2-Groove W/P Pulley 6 1/4"
- 137 1-Groove Alt. Pulley w/Cover 2 11/16"
- Optional P.S. Pulley #523 Keyed, #515 Press Fit
- 5090 Set Drives: W/P, Alt., P.S., A/C**
- 5091 3-Groove Crank Pulley 5 3/4"
- 6032 2-Groove W/P Pulley 6 1/4"
- 137 1-Groove Alt. Pulley w/Cover 2 11/16"
- Optional P.S. Pulley or 1V #510 Keyed or 1V #511 Press Fit

6110 Set Drives: W/P, Alt.

- 6111 1-Groove Crank Pulley 7"
- 6012 1-Groove W/P Pulley 6 1/4"
- 137 1-Groove Alt. Pulley w/Cover 2 11/16"

6120 Set Drives: W/P, Alt., P.S. or A/C

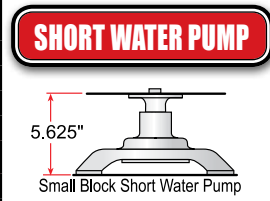
- 6131 2-Groove Crank Pulley 7"
- 6032 2-Groove W/P Pulley 6 1/4"
- 137 1-Groove Alt. Pulley w/Cover 2 11/16"
- Optional P.S. Pulley #523 Keyed, #515 Press Fit

6130 Set Drives: W/P, Alt., P.S.

- 6131 2-Groove Crank Pulley 7"
- 6012 1-Groove W/P Pulley 6 1/4"
- 137 1-Groove Alt. Pulley w/Cover 2 11/16"
- Optional P.S. Pulley #523 Keyed, #515 Press Fit

6140 Set Drives: W/P, Alt., P.S., A/C

- 6151 3-Groove Crank Pulley 7"
- 6032 2-Groove W/P Pulley 6 1/4"
- 137 1-Groove Alt. Pulley w/Cover 2 11/16"
- Optional P.S. Pulley #510 Keyed, #511 Press Fit



1971-1982 Corvette Small Block V-Belt Pulleys

Pulleys have their own unique V-spacing and must use original 1971-1982 brackets and water pump.

Performance Ratios (Increased Horsepower)							
Set#	Crank pulley	W/P pulley	Alt. pulley with nose cover	Price	Optional P/S pulley	Optional W/P nose cover	Optional Alt. fan
5030	2V	2V	1V	\$261.10	515 press or 523 key	321	221
5070	3V	2V	1V	\$261.10	use your O.E.M. #to match, see Page 74	321	221
5050	3V	3V	1V	\$261.10	use your O.E.M. #to match, see Page 74	321	221

5050 Set Drives: W/P, P.S., A/C, Air Pump

- 5051 3-Groove Crank Pulley 5 1/2"
- 5052 3-Groove W/P Pulley 6 1/4"
- 143 1-Groove Alt. Pulley 3 3/16" w/Cap

5070 Set Drives: W/P, P.S., A/C

- 5051 3-Groove Crank Pulley 5 1/2"
- 5072 2-Groove W/P 6 1/4"
- 143 1-Groove Alt. Pulley 3 3/16" w/Cap

5030 Set Drives: W/P, Alt., P.S.

- 5031 2-Groove Crank Pulley 5 1/2"
- 5072 2-Groove W/P 6 1/4"
- 143 1-Groove Alt. Pulley 3 3/16" w/Cap

Matching Alternator, Water Pumps, Power Steering Pumps, A/C Compressors, Etc..... See Pages 71-76



If You Need Help Choosing Parts Let Our Experienced Technical Staff Help 1-888-729-9070 www.marchperf.com

Sport Track Economy Black V-Belt Pulleys

**CHEVY
SMALL BLOCK**

SHORT WATER PUMP

LONG WATER PUMP

**BLACK
Powder Coating**

Performance Ratios: Short Water Pump

Set#	Crank Pulley	Water Pump Pulley	Alternator Pulley with Nose Cover	Price	P/S Pulley Keyway	P/S Pulley Press Fit
6400-08	1V	1V	1V	\$191.04		
6405-08	2V	1V	1V	\$205.97	1V #523-08	1V #515-08
6410-08	2V	2V	1V	\$213.41	1V #523-08	1V #515-08
6415-08	3V	2V	1V	\$224.25	1V #510-08	1V #511-08

High Water Flow Ratios: Short Water Pump

6420-08	1V	1V	1V	\$196.82		
6425-08	2V	2V	1V	\$211.78	1V #523-08	1V #515-08
6430-08	2V	1V	1V	\$219.93	1V #523-08	1V #515-08
6435-08	3V	2V	1V	\$228.96	1V #521-08	1V #511-08

Performance Ratios: Long Water Pump

6440-08	1V	1V	1V	\$205.10		
6445-08	2V	1V	1V	\$210.69	1V #513-08	1V #531-08
6450-08	3V	2V	1V	\$215.34	1V #521-08	1V #520-08
6455-08	3V	3V	1V	\$231.65	1V #510-08	1V #520-08

High Water Flow Ratios: Long Water Pump

6460-08	1V	1V	1V	\$219.04		
6465-08	2V	1V	1V	\$221.86	1V #523-08	1V #515-08
6470-08	2V	2V	1V	\$229.87	1V #523-08	1V #515-08

6400-08 Set Drives: W/P, Alt.

6011-08 1-Groove Crank Pulley 5³/₄"
6012-08 1-Groove W/P Pulley 6¹/₄"
137-08 1-Groove Alt. Pulley w/Cover 2¹¹/₁₆"

6410-08 Set Drives: W/P, Alt.

6011-08 1-Groove Crank Pulley 5³/₄"
6012-08 1-Groove W/P Pulley 6¹/₄"
137-08 1-Groove Alt. Pulley w/Cover 2¹¹/₁₆"

6405-08 Set Drives: W/P, Alt., P.S.

6031-08 3-Groove Crank Pulley 5³/₄"
6032-08 2-Groove W/P Pulley 6¹/₄"
137-08 1-Groove Alt. Pulley w/Cover 2¹¹/₁₆"

6410-08 Set Drives: W/P, Alt., P.S. or A/C

6031-08 2-Groove Crank Pulley 5³/₄"
6032-08 2-Groove W/P Pulley 6¹/₄"
137-08 1-Groove Alt. Pulley w/Cover 2¹¹/₁₆"

6415-08 Set Drives: W/P, Alt., P.S., A/C

5091-08 3-Groove Crank Pulley 5³/₄"
6032-08 2-Groove W/P Pulley 6¹/₄"
137 1-Groove Alt. Pulley w/Cover 2¹¹/₁₆"

6420-08 Set Drives: W/P, Alt.

6111-08 2-Groove Crank Pulley 7"
6012-08 2-Groove W/P Pulley 6¹/₄"
137-08 1-Groove Alt. Pulley w/Cover 2¹¹/₁₆"

6120-08 Set Drives: W/P, Alt., P.S. or A/C

6131-08 2-Groove Crank Pulley 7"
6032-08 2-Groove W/P Pulley 6¹/₄"
137-08 1-Groove Alt. Pulley w/Cover 2¹¹/₁₆"
Optional P.S. Pulley #523 Keyed, or #515 Press Fit

6425-08 Set Drives: W/P, Alt., P.S.

6131-08 2-Groove Crank Pulley 7"
6032-08 2-Groove W/P Pulley 6¹/₄"
137-08 1-Groove Alt. Pulley w/Cover 2¹¹/₁₆"
Optional P.S. Pulley #523 Keyed, or #515 Press Fit

6430-08 Set Drives: W/P, Alt., P.S., A/C

6131-08 3-Groove Crank Pulley 7"
6012-08 2-Groove W/P Pulley 6¹/₄"
137-08 1-Groove Alt. Pulley w/Cover 2¹¹/₁₆"

6435-08 Set Drives: W/P, Alt., P.S., A/C

6151-08 3-Groove Crank Pulley 7"
6032-08 2-Groove W/P Pulley 6¹/₄"
137-08 1-Groove Alt. Pulley w/Cover 2¹¹/₁₆"

6440-08 Set Drives: W/P, Alt.

6051-08 1-Groove Crank Pulley 5³/₄"
6052-08 1-Groove W/P Pulley 6¹/₄"
137-08 1-Groove Alt. Pulley w/Cover 2¹¹/₁₆"

6445-08 Set Drives: W/P, Alt.

6071-08 1-Groove Crank Pulley 5³/₄"
6052-08 1-Groove W/P Pulley 6¹/₄"
137-08 1-Groove Alt. Pulley w/Cover 2¹¹/₁₆"

6450-08 Set Drives: W/P, Alt., P.S.

6091-08 3-Groove Crank Pulley 5³/₄"
6092-08 2-Groove W/P Pulley 6¹/₄"
137-08 1-Groove Alt. Pulley w/Cover 2¹¹/₁₆"

6455-08 Set Drives: W/P, Alt., P.S. or A/C

6091-08 2-Groove Crank Pulley 5³/₄"
6112-08 2-Groove W/P Pulley 6¹/₄"
137-08 1-Groove Alt. Pulley w/Cover 2¹¹/₁₆"

6460-08 Set Drives: W/P, Alt., P.S., A/C

6161-08 3-Groove Crank Pulley 5³/₄"
6152-08 2-Groove W/P Pulley 6¹/₄"
137-08 1-Groove Alt. Pulley w/Cover 2¹¹/₁₆"

6465-08 Set Drives: W/P, Alt.

6171-08 2-Groove Crank Pulley 7"
6052-08 2-Groove W/P Pulley 6¹/₄"
137-08 1-Groove Alt. Pulley w/Cover 2¹¹/₁₆"

6470-08 Set Drives: W/P, Alt., P.S. or A/C

6191-08 2-Groove Crank Pulley 7"
6092-08 2-Groove W/P Pulley 6¹/₄"
137-08 1-Groove Alt. Pulley w/Cover 2¹¹/₁₆"

Serpentine & V-Belt Brackets

"High Performance" Alternator Brackets

Performance Series 6061-T6 Powdercoated billet aluminum brackets are precision CNC machined for perfect fit and alignment. To get belt tension perfect we supply you with high strength stainless steel tensioning rods and chrome moly rod ends. Available in a variety of mounting styles. Show quality ULTRA, low cost DELUXE and economy CUSTOM. (Requires alternator with 6&12 o'clock mounting position)

Part #20120 **ULTRA** Clear powder coated. \$88.55

Part #20121 **DELUXE** Clear powder coated. \$68.08

Part #20121-09 **CUSTOM** Low cost version of #20121 (silver powder coated) \$56.72

Alternator Rear Support Bracket

Bracket allows engines that have no accessory holes to use long water pump bracket kits #20120, #20121 and #20121-09

Part #20122-09 \$36.80



Part #20121 Deluxe



Part #20121-09 Lower Cost Silver Powder Coat

LONG WATER PUMP



Part #20120

For Black Powder Coating, Add "-08" to kit number.... "12345-08"

Matching Alternator, Water Pumps, Power Steering Pumps, A/C Compressors, Etc.... See Pages 71-76

Serpentine & V-Belt Brackets

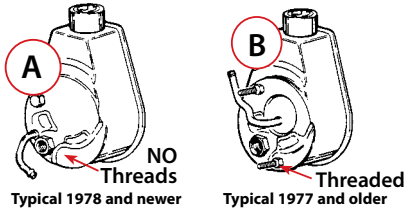
LONG WATER PUMP

CHEVY
SMALL BLOCK

Saginaw Power Steering Brackets

March Performance's front mount power steering bracket eliminates the need or the search for all the wrap-around and header mounting brackets required for belt tensioning. For Canister Style power steering pumps. *Cannot be used with 2 groove power steering pulleys.*

- Part #20160 **ULTRA** Upper and Lower Bracket Kit 1966-1976 Canister Style pumps (see diagram B)\$122.82
- Part #20161 **DELUXE** version of #20160 (see diagram B)\$102.35
- Part #20161-09 **CUSTOM** Low cost version of #20161 (silver powder coat)\$90.79
- Part #20165 **ULTRA** 1978 and newer with metric threads with O-rings and NO 6 o'clock threaded hole, (see diagram A) upper and lower bracket kit.\$122.82
- Part #20166 **DELUXE** version of #20165\$102.35



CLEAR
Powder Coated
NO Polishing Required



Part #20160 & #20165 Ultra

Shown with March Billet Power Steering Pump See Page 73

"Mid Mount" Alternator Bracket

LONG WATER PUMP

Our billet aluminum Mid Mount bracket kit is precision CNC machined for perfect fit and alignment. To get belt tension perfect we supply you with high strength stainless steel tensioning rods and chrome moly rod ends. *(Requires alternator with 6&12 o'clock mounting position)*

Part #20124 **ULTRA** "Mid Mount" Alt. bracket Clear powder coated. \$113.51

NOTE: Will not work with 20122-09 rear support bracket

Shown with march Billet Alternator See Page 72

Chrome Alternator & Power Steering Brackets Now Get March Performance Style and Quality in a Low Price Chrome Steel Bracket

LONG WATER PUMP

Our distinctive March Performance chrome plated alternator and power steering brackets provides a bit of style to any Chevy small block motor. Precision machined from heavy gauge steel for strength, reliability, perfect fit and alignment. Chrome plated for beauty. To get belt tension perfect on the alternator we even supply you with a high strength stainless steel tensioning rod and chrome moly rod ends.

Application:

Chevy small block with long water pump. Serpentine or V-belt pulleys.
Alternator requires passenger side cylinder head accessory hole.

- #P80120-06 **CHROME Alternator Bracket.**
Includes Chrome Alternator Bracket, Stainless tensioning rod and rod ends and all Mounting Hardware \$44.05
- #P80160-06 **CHROME Canister Style Power Steering Bracket**
Includes Chrome Power Steering Bracket, Lower Support Bracket, Mounting Hardware \$56.72

NOTE: P80160-06 may not fit with 1978 and newer metric Canister Style pumps



"Inward Mount" Ultra Alternator Bracket

Alternator bracket fits serpentine and V-belt applications. Comes complete with tensioning rod and grade 8 mounting hardware. **Will Work with Vortech Heads. (Requires heads with accessory holes and alternator with 6&12 o'clock mounting position)**

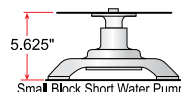
- Part #20721 Drivers Side Mount \$186.99
- Part #20720 Passenger Side Mount \$186.99

"Inward Mount" Ultra A/C Bracket

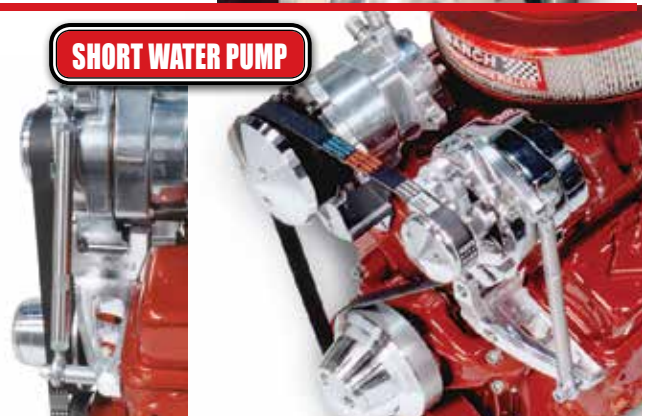
A/C bracket fits serpentine and V-belt applications. Comes complete with tensioning rod and grade 8 mounting hardware. Powder coated to eliminate polishing. **(Requires heads with at least 2 accessory holes and Sanden 505 or 508 compressor)**

- Part #20722 Passenger Side Mount \$186.99

Application: Ideal for narrow tall hooded cars, requires 13" above center of water pump, will fit some later cars. Check hood clearance, diagram on page 20



SHORT WATER PUMP



Matching Alternator, Water Pumps, Power Steering Pumps, A/C Compressors, Etc..... See Pages 71-76



If You Need Help Choosing Parts Let Our Experienced Technical Staff Help 1-888-729-9070 www.marchperf.com

Serpentine & V-Belt Brackets

"Inward Mount" Deluxe Alternator Bracket

Alternator bracket fits serpentine and V-belt applications. Comes complete with tensioning rod and grade 8 mounting hardware. **Will Not Work with Vortech Heads.**

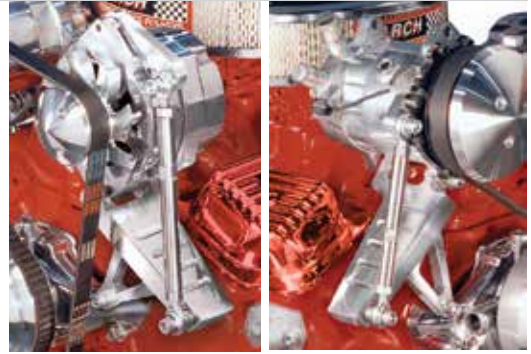
#21001 **Small Block** Fits short water pump Chevys (Requires heads with accessory holes and alternator with 6&12 o'clock mounting position) \$136.22

"Inward Mount" Deluxe A/C Bracket

A/C bracket fits serpentine and V-belt applications. Comes complete with tensioning rod and grade 8 mounting hardware.

#21002 **Small Block** Fits short water pump Chevys (Requires heads with at least 1 accessory holes and Sanden 505 or 508 compressor) \$136.22

Application: Idea for narrow tall hooded cars. Requires 13" clearance from center of water pump shaft to hood. Works best with 1969 or later heads. **NOTE: Will Not Work with Vortech Heads, see brackets 20720 and 20721 above**



"Inward Mount" Custom Alternator & A/C Bracket

Short Water Pump

Fits 1957 and earlier cars and trucks. 1957 and later check for hood clearance, 14.5" minimum from center of water pump shaft to hood. Clear powder coated to eliminate polishing.

Part #20700 Fits short water pump small block Chevys \$170.28

(Will not work with Vortec heads) (Requires Sanden 505 or 508 compressor and alternator with 6&12 o'clock mounting position)



"Outward Mount" Ultra Alternator & A/C Brackets Short Water Pump

Our Performance Series 6061-T6 Powdercoated billet aluminum brackets are precision CNC machined for perfect fit and alignment. To get belt tension perfect we supply you with high strength stainless steel tensioning rods and chrome moly rod ends. (Requires heads with accessory holes and alternator with 6&12 o'clock mounting position, A/C requires Sanden 505 or 508 compressor)

Part #20131 Alternator Bracket Drivers Side Mount \$187.32

Part #20132 Alternator Bracket Passenger Side Mount \$187.32

Part #20171 A/C Bracket Passenger Side Mount \$221.13

Application: Ideal for wide bodied low hood cars 1955 and later.

SHORT WATER PUMP



CLEAR Powder Coated
NO Polishing Required



"Outward Mount" Deluxe Alternator Bracket

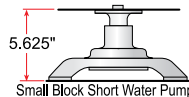
Serpentine and V-Belt Short Water Pump

Our Performance Series 6061-T6 Powdercoated billet aluminum brackets are precision CNC machined for perfect fit and alignment. To get belt tension perfect we supply you with high strength stainless steel tensioning rods and chrome moly rod ends.

Application: Ideal for wide bodied low hood cars 1955 and later. (Requires heads with accessory holes and alternator with 6&12 o'clock mounting position)

Part #20130 Chevy small block short water pump engine \$192.74

NOTE: See kits if you want to run serpentine belt on short water pump engines

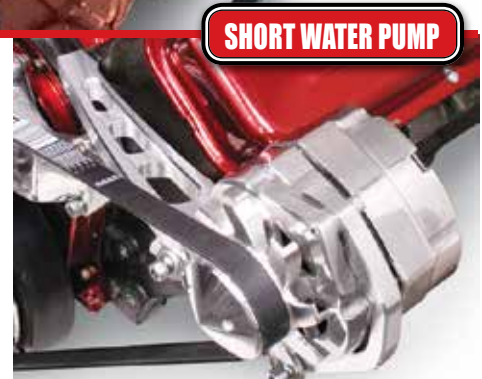


"Outward Mount" Alternator Bracket

Superior style brackets fit perfectly and can handle high torque and vibration. Complete with stainless steel tensioning rods and chrome moly rod ends for perfect belt tension. (Requires heads with accessory holes and alternator with 6&12 o'clock mounting position)

Part#20133 Small Block short water pump Chevys (69 and later heads) \$158.93

Tensioner Hidden Under Bracket for a Cleaner Look



SHORT WATER PUMP

Matching Alternator, Water Pumps, Power Steering Pumps, A/C Compressors, Etc..... See Pages 71-76

Serpentine & V-Belt Brackets

SHORT WATER PUMP

**CHEVY
SMALL BLOCK**

"Low Mount" Alternator Bracket

Short Water Pump

Our Performance Series 6061-T6 billet aluminum brackets are precision CNC machined for perfect fit and alignment. To get belt tension perfect we supply you with high strength stainless steel tensioning rods, chrome moly rod ends and an alternator bracket.

Part #20215 Fits short water pump small block Chevys \$156.57
(Requires alternator with 6&12 o'clock mounting position)

Center of crank to outside of alternator 12.5"

**CLEAR
Powder Coated
NO Polishing Required**



"Low Mount" Serpentine Kit

6061-T6 billet aluminum brackets are precision CNC machined for perfect fit and alignment. To get belt tension perfect we supply you with high strength stainless steel tensioning rods, chrome moly rod ends and an alternator bracket.

Kit Includes: • Crank pulley • Water pump pulley with nose cover • Alternator pulley with alternator fan and nose cover • Idler pulley with cover • Alternator bracket with re-locator • Tension rod and hardware

CRANK PULLEY COVER IN PHOTO NO LONGER AVAILABLE



SHORT WATER PUMP

(Requires alternator with 6&12 o'clock mounting position)

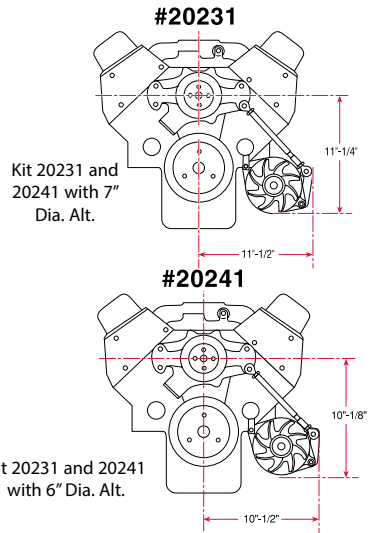
Performance Ratios (Increases Horsepower)

Kit #Drives	Alt.	W/P	P/S & A/C Belt Size	Price
20231	YES	YES	42.5"	\$417.62

High Water Flow Ratios (Increases Cooling)

20241	YES	YES	41"	\$424.61
-------	-----	-----	-----	----------

Type of Accessories	GM 6-12 o'clock mounting 6" or 7" diameter Alt.	Short W/P standard rotation	Dayco 6 rib
---------------------	---	-----------------------------	-------------



"Adjustable" Power Steering Brackets

Long or Short Water Pump Chevy small block.

Power steering bracket kit. Engine block mount adjust fore and aft for correct pulley alignment and rod end adjust for perfect belt tension. Fit both short and long water pump

Part #20118 Adjustable power steering bracket for remote reservoir style type 2 pumps, \$113.51

Matching V-belt pulleys

- #526 V-belt pulley fits Long water pump\$78.15
- #527 V-belt pulley fits Short water pump\$72.48
- #619 6 rib serpentine pulley fits both short and long water pump\$85.17

Part #20112 Adjustable 1966-77 Canister Style Power Steering Bracket Kit.....\$113.51

Matching V-belt pulleys Short Water Pump

- #523 1 Groove (keyway).....\$78.15
- #515 1 Groove (press-fit) (fits with 6031, 6131 2 groove crank pulley).....\$78.15

Works with MARCH Brackets:

- #20132 Outward Mount Alt. Bracket-Passenger Side. Page 6.....\$187.32
- #20721 Inward Mount Alt. Bracket.....\$186.99
- #21001 Inward Mount Alt. Bracket.....\$136.22

Will not work with MARCH Bracket #20130 or #20131 Outward Mount Alt. Bracket
Will not work with MARCH Billet P/S pump #9600

Adjustable!



#20111-09

"Adjustable" Power Steering Brackets

Short Water Pump

Fits short water pump small block Chevy's. Requires 1966-77 Canister Style power steering pump.

NOTE: Will not work with outward mount brackets Part #20130

Part #20111-09 Adjustable Power Steering Brackets \$63.28

Matching V-belt power steering pulleys

- Part #510** 1V Keyed Drives off third groove from crank balancer
- Part #511** 1V Press Fit. Page 74

Will not work with MARCH Billet P/S pump #9600

Matching Alternator, Water Pumps, Power Steering Pumps, A/C Compressors, Etc..... See Pages 71-76



If You Need Help Choosing Parts Let Our Experienced Technical Staff Help 1-888-729-9070 www.marchperf.com

"Ultra Drive" Compact Design Front Mount Serpentine Kit

SHORT WATER PUMP

CHEVY SMALL BLOCK

Alternator, Air Conditioning and Optional Power Steering Short Water Pump, Reverse Rotation Design

The Ultimate Show Kit!

Designed for mounting accessories below the valve covers and in between the width of the heads. Precision CNC machined from 6061-T6 aluminum for strength and perfect fit. Hardcoated on high wear areas. Clear coated to eliminate polishing in those hard to reach places.

Application: Kit is designed to fit Ram Jet, Tuneports, Single and multi carb engines. Will not fit pre 1982 corvettes without modification to chassis

Kit 1. Ultra: as pictured Includes: ● Chrome Sanden A/C compressor ● 140 Amp Chrome Alternator, Tuff Stuff ● Aluminum reverse rotation water pump ● Tuff Stuff Type 2 power steering pump ● Dayco Spring Loaded tensioner with Housing Cover ● A/C bracket & nose cover ● Alternator bracket ● Power steering bracket and housing cover ● Crank pulley ● Hard Coated Water pump pulley with fairing and nose cover ● Alternator pulley with machined fan and nose cover ● Power steering & Tensioner Covers ● Wing Cross emblem ● A/C line fittings ● Grade 8 mounting hardware

Kit 2. Deluxe: Ideal for cars with minimal engine to radiator clearance, see dimensional diagrams. **Includes:** All above mentioned parts, **Minus** - A/C nose cover - Alternator pulley nose cover - Water pump pulley nose cover - Tensioner pulley nose cover - Power Steering pulley cover

Kit 3. Custom: A low cost system that gives up nothing in performance. Uses non-polished A/C compressor, Water pump and alternator with standard steel alt fan. **Includes:** All above Deluxe Kit parts, **Minus**- All nose covers - Power steering housing cover - Tensioner housing cover

Optional Accessories for Custom Kits: ● #392 A/C nose cover ● #222 Alternator fan ● #331 Water pump nose cover ● #307 Alternator pulley cover ● #20257-B Power steering housing cover ● #780 Tensioner pulley nose cover ● #20256-B Tensioner housing cover ● #302 Power steering pulley cover

Optional All Kits: ● #450 Billet Aluminum remote power steering reservoir, (See Page 73) ● Stainless Braided Power Steering Lines Kts ● P624 Polished Stainless Fastener Kit

Our larger diameter crank pulley aids in driving your alternator, A/C, and water pump at idle where it counts.

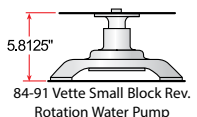
Shown in Optional Chrome



Available In **CHROME!**

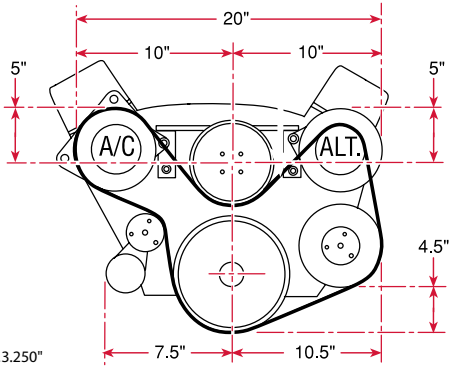


CLEAR Powder Coated NO Polishing Required



Made in the USA

Complete Quality Components



Front Mount Kit for Chevy Small Block						
Kit Type	Alternator	Water Pump	A/C	Power Steering	Belt Size	Price
Ultra 20250	YES	YES	YES		61"	\$2,145.10
Ultra 20260	YES	YES	YES	YES	62"	\$2,440.35
Deluxe 20270	YES	YES	YES		61"	\$1,913.71
Deluxe 20280	YES	YES	YES	YES	62"	\$2,209.35
Custom 20275	YES	YES	YES		61"	\$1,682.69
Custom 20285	YES	YES	YES	YES	62"	\$1,978.33
Type of Accessories	140 Amp Alternator	84-91 Vette small block Reverse rotation	Sanden 7176 Compressor	Type 2 Remote Pump	Dayco 6 Rib	

For Chrome add "-06" to kit number..... "12345-06" • For Black Powder Coating, Add "-08"

Outward Dimensions Balancer face to front of...	Water pump w/nose cover.....4.425"	Alt. pulley.....3.250"
Crank pulley.....3.200"	A/C unit.....4.000"	Alt. w/nose cover.....4.000"
Water pump pulley.....3.625"	A/C w/nose cover.....4.500"	

Matching Alternator, Water Pumps, Power Steering Pumps, A/C Compressors, Etc.... See Pages 71-76

"Style Track" Serpentine Kit

Alternator, Air Conditioning And Optional Power Steering and Alternator & Power Steering Only Option

March Performance all Billet Aluminum Style Track serpentine system is created with a combination of style and low price. The highly styled one piece bracket provides a rigid support for the alternator and A/C compressor; a separate bracket allows the option of power steering or no power steering.

These kits makes use of a unique easy to use belt tension adjustment tool. Once the belt tension has been set, the adjustment tool is easily removed and stowed away until the next time the belt requires adjustment. As a result, the Style Track displays a much cleaner appearance. For the ultimate in convenience an optional spring loaded tensioner is available.

Application: Chevy Small Block, Does Not fit Covettes.

NOTE: No cylinder head accessory holes needed for mounting. Chevelle, Monte Carlo, El Camino, 1970 and newer camaro and S10 will require remote power steering kits

Kit Includes: ● 105 Amp Chrome Alternator ● Alternator pulley with fan and nose cover ● Matching Chrome Sanden A/C compressor ● Aluminum Water pump and Hardcoated pulley ● Alternator and A/C Brackets ● Crank pulley (Larger Dia for better accessory drive) ● Belt Tensioning Tool ● All Mounting Hardware

Kits with power steering include: ● GM Type 2 power steering pump (does not include hoses or reservoir) ● Canister Style power steering pump ● Power steering pulley with nose cover ● Bracket with mounting hardware.

Optional: ● #450 Billet Aluminum Remote P/S Reservoir (see Page 73) ● #21105 Spring Loaded Tensioner Kit ● Stainless Braided Power Steering Line Kit (see Page 73) ● 418-06 Chrome A/C Manifold ● 140 Amp & 320 Amp Alternator ● P625 Polished Stainless Fasteners For Kits 21100, 21150, 21155 ● P626 Polished Stainless Fasteners For Kits 21185, 21190



Alternator & P/S Only Kit #21185 with Billet Accessories

Our larger diameter crank pulley aids in driving your alternator, A/C and water pump at idle where it counts.



Save Money on Power Steering Hoses and Reservoir with this Canister Style Pump Option



#224 Optional Billet Water Pump Cover

FORWARD DIMENSIONS Balancer Face to Front of Accessories

Crank.....	3.347"	Alt. with cover.....	4.125"
Water Pump.....	4.375"	Alt. without cover.....	3.375"
P/S with cover.....	4.375"	A/C. with cover.....	4.625"
P/S without cover.....	3.375"	A/C. without cover.....	3.875"

CHEVY SMALL BLOCK

SHORT WATER PUMP

Style TRACK

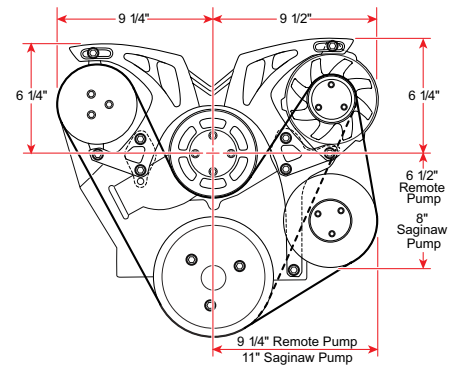
Available In CHROME!

Up to **\$700⁰⁰ Less** Than Our Competitors Similar Kits



Made in the USA

Complete Quality Components



Style Track							
Kit # Drives	Alt.	W/P	A/C	Remote P/S	Canister Style P/S	Belt Size	Price
21100	Yes	Yes	Yes			59"	\$1,559.25
21150	Yes	Yes	Yes	Yes		62"	\$1,884.75
21155	Yes	Yes	Yes		Yes	64"	\$1,989.75
21190	Yes Chrome	Yes			Yes Chrome	60"	\$1,548.75
21185	Yes Billet	Yes			Yes Billet	60"	\$1,752.45
Type of Accessories	105 Amp Alternator.	Short W/P Reverse rotation	Sanden 7176 Compressor	Type 2 Remote Pump	Canister Style Chrome or March Billet Pump with 21185 kit	Dayco 6 Rib	
For Chrome add "-06" to kit number..... "12345-06" • For "Black Onyx" Powder Coating, Add "-07" • For Black Powder Coating, Add "-08"							

Optional Accessories for this Kit. See Accessory pages for more info

21105 Spring Belt Tensioner	418-06 Chrome A/C Manifold	P625 or P626 Polished stainless fastener kit	#450 Remote P/S Reservoir
-----------------------------	----------------------------	--	---------------------------

Matching Alternator, Water Pumps, Power Steering Pumps, A/C Compressors, Etc..... See Pages 71-76



If You Need Help Choosing Parts Let Our Experienced Technical Staff Help 1-888-729-9070 www.marchperf.com

"Revolver" Serpentine Kit

SHORT WATER PUMP

CHEVY
SMALL BLOCK

Alternator, Air Conditioning And Optional Power Steering
and Alternator & Power Steering Only Option

Revolver

Hitting the Mark with High Style & Low Cost

Same combination of style and low price as our popular Style Track alternator, A/C, and power steering kit, but with Revolver styling.

One piece bracket provides a rigid support for the alternator and A/C compressor; a separate bracket allows the option of power steering or no power steering. This kit makes use a unique easy to use belt tension adjustment tool. Once the belt tension has been set, the adjustment tool is easily removed and stowed away until the next time the belt requires adjustment. As a result, the kit displays a much cleaner appearance.

Application: Chevy Small Block.

NOTE: Chevelle, Monte Carlo, El Camino, 1970 and newer camaro and S10 will require remote power steering kits

Kit Includes: • 105 Amp Chrome Alternator, • Billet Alternator, (Kit 21085) • Alternator pulley with fan and nose cover • Matching Sanden Chrome A/C compressor • Aluminum Water pump and Hardcoated pulley • Alternator and A/C Brackets • Crank pulley (Larger Dia for better accessory drive) • Belt Tensioning Tool • All mounting hardware

Kits with power steering include: • GM Type 2 power steering pump (Kit 21160), does not include hoses or reservoir) • Chrome or Billet Canister Style power steering pump (Kit 21165 21090) • Power steering pulley with nose cover • Bracket with mounting hardware.

Optional: • #450 Billet Aluminum remote power steering reservoir, (See Page 73) • Stainless braided power steering line kits • 140 amp & 320 amp Alternator • P625 polished stainless fasteners for kits 21110, 21160, 21165 • P626 polished stainless fasteners for kits 21085, 21090

Shown with
Optional
418-06 A/C
Manifold



Up to
\$700⁰⁰ Less
Than Our Competitors Similar Kits

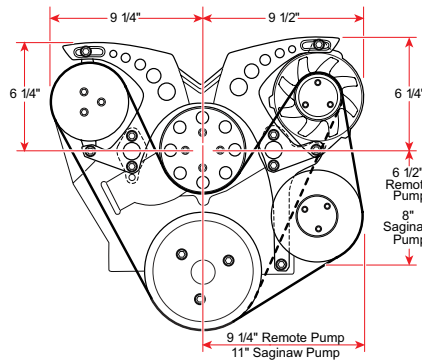


#224
Optional Billet
Water Pump Cover

Save Money on P/S Hoses
& Reservoir with this
Canister Style Pump Option

CLEAR
Powder Coated
NO Polishing Required

Available In
CHROME!



FORWARD DIMENSIONS Balancer Face to Front of Accessories
Crank.....3.347" Alt. with cover.....4.125"
Water Pump.....4.375" Alt. without cover.....3.375"
P/S with cover.....4.375" A/C. with cover.....4.625"
P/S without cover.....3.375" A/C. without cover.....3.875"



Chevy Small Block							
Kit # Drives	Alt.	Water Pump	A/C	Remote P/S	Canister Style P/S	Belt Size	Price
21110	Yes	Yes	Yes			59"	\$1,559.25
21160	Yes	Yes	Yes	Yes		62"	\$1,884.75
21165	Yes	Yes	Yes		Yes	64"	\$1,989.75
21090	Yes Chrome	Yes			Yes Chrome	60"	\$1,548.75
21085	Yes Billet	Yes			Yes Billet	60"	\$1,752.45
Type of Accessories	140 Amp Billet Alternator or 105 Amp Chrome Alternator	Short W/P Reverse rotation	Sanden 7176 Compressor	Type 2 Remote Pump	Chrome Canister Style pump or March Billet Canister Style Pump	Dayco 6 Rib	

For Chrome add "-06" to kit number..... "12345-06" • For "Black Onyx" Powder Coating, Add "-07" • For Black Powder Coating, Add "-08"

Optional Accessories for this Kit. See Accessory pages for more info

	21105 Spring Belt Tensioner,		418-06 Chrome A/C Manifold		P625 or P626 Polished stainless fasteners		#450 Remote P/S Reservoir
--	------------------------------------	--	-------------------------------------	--	--	--	---------------------------------



Complete Quality Components

Matching Alternator, Water Pumps, Power Steering Pumps, A/C Compressors, Etc..... See Pages 71-76

"Pro-Track" & "Pro-Track II" Serpentine Kit

**CHEVY
SMALL BLOCK**

Alternator, Air Conditioning and Optional Power Steering

Pro-Track

**Light weight, Extra Strength,
Race Proven 1" Thick Bracket**

SHORT WATER PUMP

For the Performance oriented engine builder March Performance's All Billet Aluminum Pro-Track serpentine system is just the ticket. This 1" thick one-piece alternator and air conditioning bracket is not only strong, but light.

A separate bracket allows the option of remote or canister style power steering or no power steering. Pro-Track makes use of a unique easy to use belt tension adjustment tool. Once the belt tension has been set, the adjustment tool is easily removed and stowed away until the next time the belt requires adjustment. For the ultimate in convenience an optional spring loaded tensioner is available.

Shown in Chrome with Optional 418-06 A/C manifold

Available In **CHROME!**

Application: Chevy Small Block.

NOTE: No cylinder head accessory holes needed for mounting. Chevelle, Monte Carlo, El Camino, 1970 and newer camaro and S10 will require remote power steering kits

Kit Includes: • 105 Amp Chrome Alternator, • Alternator pulley with fan and nose cover • Matching Chrome Sanden A/C compressor • Aluminum Water pump and Hardcoated pulley • Pro-Track Alternator/A/C Bracket • Crank pulley • Belt Tensioning Tool

Kits with power steering include: • GM Type 2 power steering pump (does not include hoses or reservoir) • Or Saginaw Canister style Pump • Power steering pulley with nose cover • Bracket with mounting hardware.

Optional: • Optional Spring Tensioner #21105 • #450 Billet Remote Power Steering Reservoir • Stainless Braided Power Steering Hose Kits • 418-06 Chrome A/C Manifold • 140 amp & 320 Amp Alternator • P625 Polished Stainless Fastener Kit



Shown in **BLACK ONYX Powder Coat**



Made in the USA

Complete Quality Components

Chevy Small Block							
Kit # Drives	Alt.	W/P	A/C	Remote P/S	Canister Style P/S	Belt Size	Price
21115	Yes	Yes	Yes			59"	\$1,664.25
21120	Yes	Yes	Yes	Yes		62"	\$1,989.75
21125	Yes	Yes	Yes		Yes	64"	\$2,094.75
Type of Accessories	105 Amp Chrome Alt.	Short W/P Reverse rotation	Sanden 7176 Compressor	Type 2 Remote Pump	Keyed Canister Style Pump	Dayco 6 Rib	

For Chrome add "-06" to kit number..... "12345-06" • For "Black Onyx" Powder Coating, Add "-07" • For Black Powder Coating, Add "-08"

Styling that blends well with other accessories

Application: Chevy Small Block

Kit Includes: • 105 Amp Chrome Alternator • Alternator pulley with fan and nose cover • Matching Chrome Sanden A/C compressor • Aluminum Water pump and Hardcoated pulley • Pro-Track II Alternator/A/C Bracket • Crank pulley • Belt Tensioning Tool • All mounting hardware

Kits with power steering include: • GM Type 2 power steering pump. • Saginaw Canister Style Pump (does not include hoses or reservoir) • Power steering pulley with nose cover • Bracket with mounting hardware.

Optional: • #450 Billet Remote Power Steering Reservoir • Stainless Braided Power Steering Hose Kits • 140 amp & 320 amp Alternator

Pro-Track II							
Kit # Drives	Alt.	W/P	A/C	Remote P/S	Saginaw P/S	Belt Size	Price
21118	Yes	Yes	Yes			59"	\$1,559.25
21121	Yes	Yes	Yes	Yes		63.5"	\$1,884.75
21126	Yes	Yes	Yes	-	Yes	64"	\$1,989.75
Type of Accessories	105 Amp Chrome Alt.	Short Water Pump	Sanden 7176 Compressor	Type 2 Remote Pump	Saginaw pump with canister	Dayco 6 Rib	

For Chrome add "-06" to kit number..... "12345-06" • For "Black Onyx" Powder Coating, Add "-07" • For Black Powder Coating, Add "-08"



Shown in **BLACK ONYX Powder Coat**

Optional Accessories for this Kit. See Accessory pages for more info



Save Money on Power Steering Hoses and Reservoir with this Canister Style Pump Option

Matching Alternator, Water Pumps, Power Steering Pumps, A/C Compressors, Etc..... See Pages 71-76



If You Need Help Choosing Parts Let Our Experienced Technical Staff Help 1-888-729-9070 www.marchperf.com

"Style Track Street Rod" Serpentine Kit

Alternator, A/C & Optional Power Steering

Street Rod

Designed specifically for applications where the amount of forward clearance is an issue.

Highly styled one piece alternator and A/C bracket mounts the components above the intake allowing them to mount further back gaining the critical forward clearance needed in most pre 1940's applications. This kit utilizes the top manufactured components currently available on the market such as a Sanden 7176 chrome a/c compressor, A 105 amp chrome CS-130 case alternator and two options for power steering pumps. and effective belt routing eliminate belt squeal typically caused by belt slip and misalignment.

Application: Chevy Small Block

Kit Includes: • 105 Amp Alternator, Chrome • Alternator pulley with fan and nose cover • Chrome Sanden A/C Compressor nose cover • Water pump and Hardcoated pulley • Alternator / A/C Bracket • Crank pulley • All mounting hardware

Kits with power steering include • GM Type 2 power steering pump Kit #22250 (does not include hoses or reservoir) • Saginaw Canister steering pump Kit #22255 • Power steering pulley with nose cover • Bracket with mounting hardware.

Optional: • #450 Billet Remote Power Steering Reservoir • Stainless Braided Power Steering Hose Kits • 418-06 Chrome A/C Line Adapter. • 140 amp & 320 amp Alternator

SHORT WATER PUMP

CHEVY SMALL BLOCK

CLEAR Powder Coated NO Polishing Required



Style TRACK

Chevy Small Block							
Kit # Drives	Alt.	W/P	A/C	Remote P/S	Saginaw P/S	Belt Size	Price
22210	Yes	Yes	Yes			68.5"	\$1,559.25
22250	Yes	Yes	Yes	Yes		83"	\$1,884.75
22255	Yes	Yes	Yes		Yes	83"	\$1,989.75
Type of Accessories	105 Amp Chrome Alt.	Short Water Pump	Sanden 7176 Compressor	Type 2 Remote Pump	Saginaw pump with canister	Dayco 6 Rib	

For Chrome add "-06" to kit number.... "12345-06" • For "Black Onyx" Powder Coating, Add "-07" • For Black Powder Coating, Add "-08"

"Sport-Track" All Inclusive Serpentine Kits

Alternator, Air Conditioning and Power Steering

SHORT WATER PUMP

CHEVY SMALL BLOCK

Low Price High Performance SPORT TRACK

March Quality and Innovation for the Budget Engine Builder

Designed for the budget minded builder with the same March Performance quality and innovation as our Style Track kits. Complete with pulleys and a strong compact one piece combination alternator and A/C bracket, 6061-T6 billet aluminum

Top brand name accessories such as Sanden and Tuff Stuff. No Slip operation. Replaces your low performance V-Belt Pulleys. Simple to bolt on! Eliminates belt throwing. Larger crank pulley aids in driving your alternator, A/C and water pump for better cooling and improved charging during low speed driving. CNC machined from solid billet 6061-T6 aluminum. All accessories including Alternator, A/C compressor, power steering unit, water pump, pulleys, brackets and all mounting hardware. Available in Ultra Style with pulley covers and a Clear Powder Coating, or an economical black or silver Powder coat

Application: Chevy Small Block

Kits Includes: • 105 Amp Satin Alternator (Chrome In Ultra Kits) • Alternator pulley with alternator fan • Sanden Satin Aluminium A/C Compressor (Chrome In Ultra Kits) • Alternator & A/C Bracket • Water Pump & Pulley • Crank Pulley • Power Steering Kits includes Pump, Brackets and Pulley • Mounting Hardware.



Ultra Style Clear Powder Coat

Chevy Small Block,		Short Water Pump					
Kit # Drives	Alt.	W/P	A/C	Remote P/S	Saginaw P/S	Belt Size	Price
21610 (Ultra Style Clear)	Yes	Yes	Yes	-		59"	\$1,559.25
21615 (Ultra Style Clear)	Yes	Yes	Yes	Yes		63.5"	\$1,884.75
21620 (Ultra Style Clear)	Yes	Yes	Yes	-	Yes	64"	\$1,989.75
21650-08 (Black)	Yes	Yes	Yes	-		59"	\$1,285.20
21650-09 (Silver)	Yes	Yes	Yes	-		59"	\$1,285.20
21655-08 (Black)	Yes	Yes	Yes	Yes		63.5"	\$1,573.95
21655-09 (Silver)	Yes	Yes	Yes	Yes		63.5"	\$1,573.95
21660-08 (Black)	Yes	Yes	Yes	-	Yes	64"	\$1,652.70
21660-09 (Silver)	Yes	Yes	Yes	-	Yes	64"	\$1,652.70
Type of Accessories	105 Amp Alternator.	Short W/P Reverse rotation	Sanden 7176 Compressor	Type 2 Remote Pump	Saginaw Keyed Canister Pump	Dayco 6 Rib	



SILVER Powder Coating

Optional Accessories for this Kit. See Accessory pages for more info

	#21107 Spring Belt Tensioner		#P340 Remote P/S Reservoir		#224 Water Pump Cover		Optional Billet Covers See Page 71
--	------------------------------	--	----------------------------	--	-----------------------	--	------------------------------------



Press-on P/S flange makes mounting pulley easy

Complete Quality Components

Matching Alternator, Water Pumps, Power Steering Pumps, A/C Compressors, Etc.... See Pages 71-76



Standard Mount "Ultra" Serpentine Kit

Alternator with Mid Mount Passenger Side Air Conditioning optional Power Steering Standard Rotation

This ingeniously designed mid mount serpentine kit incorporates a combination bracket that provides a compact and strong mounting for the alternator and air conditioner. Replaces your low performance V-belts, pulleys and brackets while retaining your standard rotation water pump. Eliminates belt throwing. Complete with stainless steel tensioning rod, chrome moly rod ends and necessary grade 8 mounting hardware.

Application: These kits fit most mid and full size cars from the early 1950's and newer. Kit also fits 1969 and later Camaros and Novas. Other cars check water pump nose to radiator clearance. Long water pumps extend out 8" from the engine block, plus clearance for mechanical or electric fans. **Requires one accessory hole in passenger side head for mounting.** NOTE: if using 9600 billet pump with driver side a/c may require modification to A/C bracket.

Ultra Kits Includes: • Alt./Air Conditioner brackets and idler • A/C nose cover • Crank pulley • Water pump pulley with nose cover • Alt. pulley with alternator fan and nose cover • P/S kits includes power steering brackets and pulley • Superior grade 8 mounting hardware **For kits with accessories See "All Inclusive Kits" Below**

Optional: • 360 Power Steering Nose Cover (Page 74) • 417 A/C manifold (kits with passenger side A/C mount)

**CHEVY
SMALL BLOCK**

LONG WATER PUMP



Ultra Kit Styling

CLEAR Powder Coated
NO Polishing Required

Passenger Side Mid Mount A/C Pulley & Bracket Kits

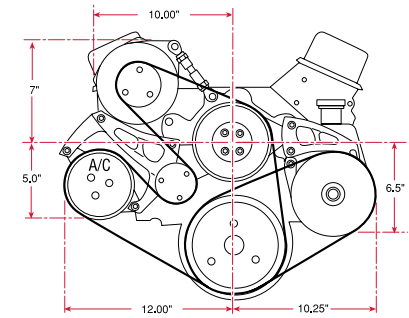
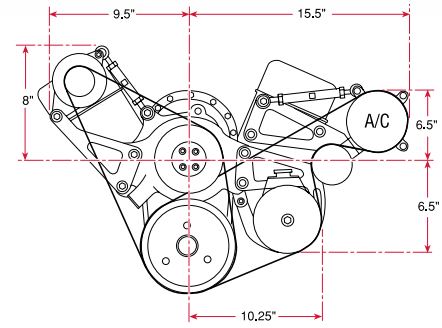
Kit #Drives	Alt.	A/C	W/P	Canister Style Keyway P/S Pump	Canister Style Press Fit P/S Pump	Canister Style Metric P/S Pump	Alt. Belt Size	P/S Belt Size	Price
22045	YES	YES	YES				62"		\$673.37
22072	YES	YES	YES	YES			62"	35"	\$874.34
22082	YES	YES	YES		YES		62"	35"	\$874.34
22087	YES	YES	YES			YES	62"	35"	\$874.34
Type of Accessories	GM 6-12 o'clock mounting 6" or 7" diameter Alt.	Sanden 7176 or March P411 compressor	Long W/P standard rotation	1966-74 keyway Canister Style pump	1975-78 press fit Canister Style pump	1978-87 press fit Canister Style metric pump	Dayco 6 rib	Dayco 6 rib	

Performance Kits (Increases Horsepower) Pulley & Bracket Kits

Kit #Drives	Alt.	A/C	W/P	Canister Style Keyway P/S Pump	Canister Style Press Fit P/S Pump	Canister Style Metric P/S Pump	Alt. Belt Size	P/S 5 Rib Belt Size	Price
22010	YES		YES				41"		\$395.09
22020	YES		YES	YES			41"	33.5"	\$596.06
22030	YES		YES		YES		41"	33.5"	\$596.06
22035	YES		YES			YES	41"	33.5"	\$596.06
Type of Accessories	GM 6-12 o'clock mounting 7" diameter Alt.	Sanden 505 or 508 serpentine A/C	Long W/P standard rotation	1966-74 keyway Canister Style pump	1975-78 press fit Canister Style pump	1978-87 press fit Canister Style metric pump	Dayco 6 rib	Dayco 5 rib	

Standard Mount Kits with Drivers Side A/C Mount Pulley & Bracket Kits

Kit #Drives	Alt.	A/C	W/P	Canister Style Keyway P/S Pump	Canister Style Press Fit P/S Pump	Canister Style Metric P/S Pump	Alt. Belt Size	P/S Belt Size	P/S & A/C Belt Size	Price
22040	YES		YES				42.5"			\$410.59
22050	YES		YES	YES			42.5"	35"		\$596.06
22060	YES		YES		YES		42.5"	35"		\$596.06
22065	YES		YES			YES	42.5"	35"		\$596.06
22070	YES	YES	YES	YES			42.5"	56"		\$929.87
22080	YES	YES	YES		YES		42.5"	56"		\$929.87
22085	YES	YES	YES			YES	42.5"	56"		\$929.87
Type of Accessories	GM 6-12 o'clock mounting 6" or 7" diameter Alt.	Sanden 505 or 508 serpentine A/C	Long W/P standard rotation	1966-74 keyway Canister Style pump	1975-78 press fit Canister Style pump	1978-87 press fit Canister Style metric pump	Dayco 6 rib	Dayco 6 rib	Dayco 6 rib	



20122-09
Optional Rear Support Bracket

All Inclusive Kits

Pulleys, Brackets and Accessories Included!

Tuff Stuff or March Performance's own Billet Accessories

Chrome Accessories Kits

Kit #Drives	Alt.	A/C	W/P	P/S Pump	Alt. Belt Size	P/S 6 Rib Belt Size	Price
CA22040	YES		YES		42.5"		\$715.93
CA22050	YES		YES	YES	42.5"	35"	\$1135.43
CA22072	YES	YES	YES	YES	62"	35"	\$1,694.45
CA22070	YES	YES	YES	YES	42.5"	56"	\$1,672.19
Type of Accessories	Tuff Stuff P555	Tuff Stuff P412 or P413	Edelbrock Aluminum P225	Tuff Stuff P304 + 360 Nose Cover	Dayco 6 rib	Dayco 6 rib	

Billet Accessories Kits

Kit #Drives	Alt.	A/C	W/P	P/S Pump	Alt. Belt Size	P/S 6 Rib Belt Size	Price
BA22040	YES		YES		42.5"		\$912.58
BA22050	YES		YES	YES	42.5"	35"	\$1,398.47
BA22072	YES	YES	YES	YES	62"	35"	\$1,991.17
BA22070	YES	YES	YES	YES	42.5"	56"	\$1,969.28
Type of Accessories	Billet 9650	Tuff Stuff P410 or P411	Edelbrock Aluminum P225	Billet 9600 + 360 Nose Cover	Dayco 6 rib	Dayco 6 rib	



Shown with Billet Alt & P/S

For Black Powder Coating, Add "-08" to kit number.... "12345-08"

A/C Kits with P411 or P412 receive P417 Line Adapter

Matching Alternator, Water Pumps, Power Steering Pumps, A/C Compressors, Etc..... See Pages 71-76



If You Need Help Choosing Parts Let Our Experienced Technical Staff Help 1-888-729-9070 www.marchperf.com

"Ultra" Small Block Serpentine Kit

Alternator, optional Power Steering and A/C
Standard Rotation/Long Water Pump

**CHEVY
SMALL BLOCK**

LONG WATER PUMP

Ultra Kit Styling

Replace your low performance V-belts, pulleys and brackets with this compact Mid Mount kit that places your alternator and power steering pump below the center line of the water pump. Available with a drivers side mounted A/C option.

Simple to bolt on! while still retaining your standard rotation water pump. Serpentine belts eliminate belt slippage and throwing. Kits are available with performance pulleys for increased horsepower or high water flow ratios for increased cooling. CNC machined from solid billet 6061-T6 aluminum. This translates into a spectacular looking new machine finish with perfect fit and extra high strength. Comes complete with stainless steel tensioning rod, chrome moly rod ends and necessary grade 8 mounting hardware. Performance pulleys increase horsepower by approximately 12 h.p. depending on accessories driven.

Application: These kits fit most mid and full size cars from the early 1950's and newer. Kit also fits 1969 and later Camaros and Nova's. Other cars check water pump nose to radiator clearance. Long water pump kit extends out 8" from the engine block with nose cover in place, plus clearance for mechanical or electric fans. **Requires one accessory hole in passenger side head for mounting.**

NOTE : Modification may be necessary to rear p/s bracket if using ZZ4 style timing cover. **NOTE:** If using 9600 billet pump with a/c kits may require modification to a/c bracket

Ultra Kits: Includes: • Crank pulley • Water pump pulley with nose cover • Alternator pulley with alternator fan and nose cover • Alternator Bracket with relocation arm and adjustment rod • Power steering kit includes power steering brackets and pulley • A/C kits include Bracket, idler and A/C clutch cover • Superior grade 8 mounting hardware

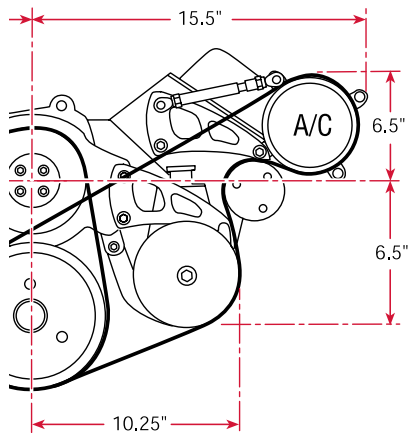
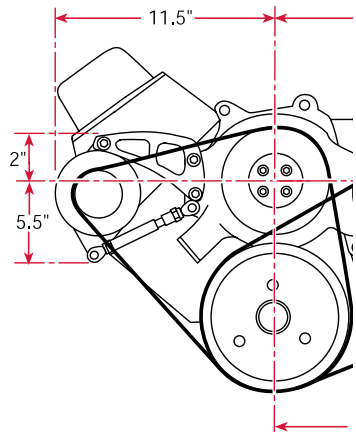
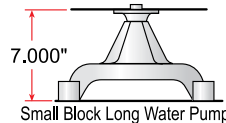
Optional: • #360 Power Steering Nose Cover
• Stainless braided power steering line kits



**CLEAR
Powder Coated
NO Polishing Required**



**With Drivers
Side A/C**



Performance Kits (Increases Horsepower)

Kit #Drives	Alt.	A/C	W/P	Canister Style Keyway P/S Pump	Canister Style Press Fit P/S Pump	Canister Style Metric P/S Pump	Alt. Belt Size	P/S 5 Rib Belt Size	Price
22013	Yes		Yes				42.5"		\$420.05
22023	Yes		Yes	Yes			42.5"	33.5"	\$621.05
22033	Yes		Yes		Yes		42.5"	33.5"	\$621.05
22038	Yes		Yes			Yes	42.5"	33.5"	\$621.05

Type of Accessories	GM 6-12 o'clock mounting 7" diameter Alt.	Sanden 505 or 508 serpentine A/C	Long W/P standard rotation	1966-74 keyway Canister Style pump	1975-78 press fit Canister Style pump	1978-87 press fit Canister Style metric pump	Dayco 6 rib	Dayco 5 rib
---------------------	---	----------------------------------	----------------------------	------------------------------------	---------------------------------------	--	-------------	-------------

High Water Flow Kits (Increases Cooling)

Kit #Drives	Alt.	A/C	W/P	Canister Style Keyway P/S Pump	Canister Style Press Fit P/S Pump	Canister Style Metric P/S Pump	Alt. Belt Size	P/S Belt Size	P/S & A/C Belt Size	Price
22043	Yes		Yes				42.5"			\$420.05
22053	Yes		Yes	Yes			42.5"	35"		\$621.02
22063	Yes		Yes		Yes		42.5"	35"		\$621.02
22068	Yes		Yes			Yes	42.5"	35"		\$621.02
22073	Yes	Yes	Yes	Yes			42.5"	56"		\$954.85
22083	Yes	Yes	Yes		Yes		42.5"	56"		\$954.85
22088	Yes	Yes	Yes			Yes	42.5"	56"		\$954.85

Type of Accessories	GM 6-12 o'clock mounting 6" or 7" diameter Alt.	Sanden 505 or 508 serpentine A/C	Long W/P standard rotation	1966-74 keyway Canister Style pump	1975-78 press fit Canister Style pump	1978-87 press fit Canister Style metric pump	Dayco 6 rib	Dayco 6 rib	Dayco 6 rib
---------------------	---	----------------------------------	----------------------------	------------------------------------	---------------------------------------	--	-------------	-------------	-------------

For Black Powder Coating, Add "-08" to kit number..... "12345-08"

Matching Alternator, Water Pumps, Power Steering Pumps, A/C Compressors, Etc..... See Pages 71-76



"Deluxe" & "Custom" Serpentine Kits

CHEVY
SMALL BLOCK

Alternator, optional Power Steering and A/C Standard Mount Kits

Performance serpentine kits replace your low performance V-belts, pulleys and brackets while retaining your standard rotation water pump. Simple to bolt on! Eliminates belt throwing. Kits are available with performance pulleys for increased horsepower or high water flow ratios for increased cooling. Complete with stainless steel tensioning rod, chrome moly rod ends and necessary grade 8 mounting hardware.

Lower Cost Custom kits have same reliable CNC machined aluminum as our Deluxe series but with a protective silver powdercoat. A great kit at an excellent price. Complete with pulleys and brackets and mounting hardware.

Application: These kits fit most mid and full size cars from the early 1950's and newer. Kit also fits 1969 and later Camaros and Nova's. Other cars check water pump nose to radiator clearance. Long water pumps extend out 8" from the engine block, plus clearance for mechanical or electric fans. **Requires one accessory hole in passenger side head for mounting. NOTE: Modification may be necessary to rear p/s bracket if using ZZ4 style timing cover. NOTE: If using 9600 billet pump with a/c kits may require modification to a/c bracket**

Kit Includes: ● Crank pulley ● Water pump pulley ● Alternator bracket ● Alternator pulley ● Alternator pulley nose cover (Deluxe Kit Only) ● Power steering kit includes power steering brackets and pulley ● Air conditioning kit includes A/C bracket, idler ● Superior grade 8 mounting hardware

● **Optional:** ● A/C compressors, alternators, power steering pumps and hose kits listed on accessories pages ● #20122-09 Rear Support Bracket, allows 1968 and earlier engines to use this kits ● #360 Power Steering Nose Cover ● Stainless braided power steering line kits



CLEAR
Powder Coated
NO Polishing Required



LONG WATER PUMP

Low Cost Custom Kit

Shown with optional: #221-09 Alternator Fan, #307-09 Alternator Cover and #314-09 Water Pump Nose Cover

Deluxe Kits

Shown with optional Alt fan #221, Water pump nose cover #314 and A/C nose cover #395



#20122-09



Drivers Side A/C

Performance Kits (Increases Horsepower)

Kit #Drives	Alternator	A/C	Water Pump	Canister Style Keyway P/S Pump	Canister Style Press Fit P/S Pump	Canister Style Metric P/S Pump	Alt. Belt Size	P/S 5 Rib Belt Size	Price
22011	YES		YES				41"		\$309.34
22021	YES		YES	YES			41"	33.5"	\$487.59
22031	YES		YES		YES		41"	33.5"	\$487.59
22036	YES		YES			YES	41"	33.5"	\$487.59
22011-09 Low Cost Custom Sliver	YES		YES				41"		\$238.41
22021-09 Low Cost Custom Sliver	YES		YES	YES			41"	33.5"	\$397.39
22031-09 Low Cost Custom Sliver	YES		YES		YES		41"	33.5"	\$397.39

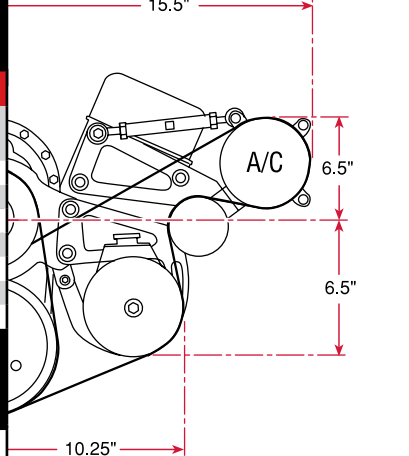
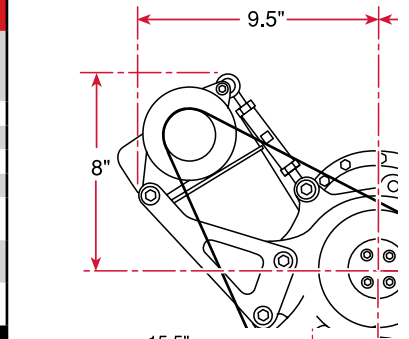
Type of Accessories	GM 6-12 o'clock mounting 7" diameter Alt.	Sanden 505 or 508 serpentine	Long W/P standard rotation	1966-74 keyway Canister Style pump	1975-78 press fit Canister Style pump	1978-87 press fit Canister Style metric	Dayco 6 rib	Dayco 5 rib
---------------------	---	------------------------------	----------------------------	------------------------------------	---------------------------------------	---	-------------	-------------

High Water Flow Kits (Increases Cooling)

Kit #Drives	Alternator	A/C	Water Pump	Canister Style Keyway P/S Pump	Canister Style Press Fit P/S Pump	Canister Style Metric P/S Pump	Alt. Belt Size	P/S Belt Size	P/S & A/C Belt Size	Price
22041	YES		YES				42.5"			\$332.56
22051	YES		YES	YES			42.5"	35"		\$487.59
22061	YES		YES		YES		42.5"	35"		\$487.59
22066	YES		YES			YES	42.5"	35"		\$487.59
22071	YES	YES	YES	YES			42.5"		56"	\$770.83
22081	YES	YES	YES		YES		42.5"		56"	\$770.83
22086	YES	YES	YES			YES	42.5"		56"	\$770.83

Type of Accessories	GM 6-12 o'clock mounting 6" or 7" diameter Alt.	Sanden 505 or 508 serpentine A/C	Long W/P standard rotation	1966-74 keyway Canister Style pump	1975-78 press fit Canister Style pump with canister	1978-87 press fit Canister Style metric pump	Dayco 6 rib	Dayco 6 rib	Dayco 6 rib
---------------------	---	----------------------------------	----------------------------	------------------------------------	---	--	-------------	-------------	-------------

For Black Powder Coating, Add "-08" to kit number..... "12345-08"



Matching Alternator, Water Pumps, Power Steering Pumps, A/C Compressors, Etc..... See Pages 71-76



If You Need Help Choosing Parts Let Our Experienced Technical Staff Help 1-888-729-9070 www.marchperf.com

"Sport-Track" Mid Mount A/C Serpentine Kit



**March Quality and Innovation
for the Budget Engine Builder**



Designed for the budget minded builder complete with pulleys and a strong compact one piece combination alternator and A/C bracket.

CNC machined from solid billet 6061-T6 aluminum. All accessories including Alternator, A/C compressor, power steering unit, water pump, pulleys, brackets and all mounting hardware. Available in a black or silver face plate

Application: Chevy Small Block Long water pump.

Kits Includes: ● 105 Amp Alternator ● Alternator pulley with alternator fan ● Sanden Air Conditioner Pump ● Alternator & A/C Bracket ● Water Pump & Pulley ● Crank Pulley ● Power Steering Kits includes Pump, Brackets and Pulley ● Mounting Hardware.

Optional Accessories:

- Nose Covers (Page 75)



Mounts the A/C low and on the passenger side for a compact and clean appearance

Shown with Optional Nose Covers

Chevy Small Block,		Long Water Pump (Standard Rotation)				
Kit # Drives	Alt.	W/P	A/C	Canister Style P/S	Belt Sizes	Price
21685-08 (Black)	Yes	Yes	Yes	-	59" Alt/AC	\$1,048.95
21685-09 (Silver)	Yes	Yes	Yes	-	59" Alt/AC	\$1,048.95
21690-08 (Black)	Yes	Yes	Yes	Yes	59" Alt/AC - 35" P/S	\$1,311.45
21690-09 (Silver)	Yes	Yes	Yes	Yes	59" Alt/AC - 35" P/S	\$1,311.45
21695-08 (Black)	Yes	Yes	Yes	Yes	45" Alt/AC - 35" P/S	\$761.25
21695-09 (Silver)	Yes	Yes	Yes	Yes	45" Alt/AC - 35" P/S	\$761.25

Type of Accessories	100 Amp Black Alternator.	Long W/P Standard rotation	Sanden 7176 Compressor	Saginaw Pump	Dayco 6 Rib
---------------------	---------------------------	----------------------------	------------------------	--------------	-------------



Complete Quality Components

Inward Mount Serpentine Kit

Ultra Style for Single Carbureted Engines Standard & Reverse Rotation

Inward mounting places the alternator and A/C higher and towards the center of the motor to fit applications with narrow hoods. This bracket kit comes complete with stainless steel tensioning rods and chrome moly rod ends for high performance operation.

Application: Fits most cars. Requires 13" clearance from center of water pump shaft to hood. Works best with 1969 or later heads, 1969 - 1984 heads require tapping one hole in passenger side head, later heads simply bolt on. **Will work with Vortech Heads. If using ZZ4 style timing cover you will have to modify short water pump for clearance.**

Kit Includes: ● Alternator bracket ● A/C kit includes A/C bracket, hardware and nose cover ● Tensioning rods and adjustable rod ends ● Crankshaft pulley, water pump, pulley and nose cover ● Alternator pulley with fan and nose cover ● Grade 8 Mounting Hardware ● Power steering kits include bracket and pulley

Optional Matching Billet Accessories:

- #450 Billet Aluminum remote power steering reservoir, (See Page 73)
- Stainless braided power steering line kits
- #20723 Idler Kit (prevents slippage when mechanical fan is used with std. rotation water pump) non A/C applications changes belt size see instructions. (will not work with kits #20726 and #20727)

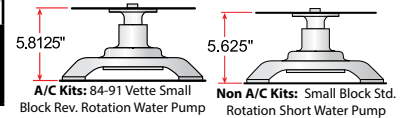
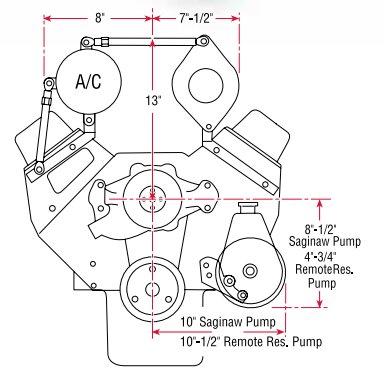


Performance Serpentine Kits (Increases Horsepower - Not Recommended for Hot Running Cars)								
Kit #Drives	Alt.	A/C	W/P	Canister Style Keyway P/S Pump	Canister Style Press Fit P/S Pump	Remote Reservoir P/S	Belt Size	Price
20725	YES		YES std. rotation.				46.5"	\$488.76
20726	YES		YES std. rotation.	YES			53"	\$620.93
20727	YES		YES std. rotation.		YES		53"	\$620.93
20728	YES		YES std. rotation.			YES	51"	\$691.11

High Water Flow Kits (Improves Cooling)								
Kit #Drives	Alt.	A/C	W/P	Canister Style Keyway P/S Pump	Canister Style Press Fit P/S Pump	Remote Reservoir P/S	Belt Size	Price
20729	YES		YES std. rotation.				47.5"	\$495.78
20730	YES		YES std. rotation.	YES			53.8"	\$656.02
20731	YES		YES std. rotation.		YES		53.8"	\$656.02
20732	YES		YES std. rotation.			YES	52.5"	\$726.20
20733	YES	YES	YES rev. rotation.				66"	\$733.08
20734	YES	YES	YES rev. rotation.	YES			90.5"	\$865.24
20735	YES	YES	YES rev. rotation.		YES		90.5"	\$865.24
20736	YES	YES	YES rev. rotation.			YES	86"	\$935.41

Inboard Passenger Side Alternator Kits								
Kit #Drives	Alt.	A/C	W/P	Canister Style Keyway P/S Pump	Canister Style Press Fit P/S Pump	Remote Reservoir P/S	Belt Size	Price
20744 Cool.Kit	YES		YES std. rotation.				49"	\$529.85
20745 Cool.Kit	YES		YES rev. rotation.	YES			66"	\$696.91
20746 Cool.Kit	YES		YES rev. rotation.		YES		66"	\$696.91
20747 Cool.Kit	YES		YES rev. rotation.			YES	66"	\$742.56

Type of Accessories	GM 6-12 o'clock mounting 6" or 7" diameter Alt.	Sanden 505 or 508 serpentine A/C	1984-91 Corvette reverse or standard rotation short W/P	1966-74 keyway Canister Style pump	1975-78 press fit Canister Style pump	1987 Sunbird small remote reservoir pump	Dayco 6 rib
---------------------	---	----------------------------------	---	------------------------------------	---------------------------------------	--	-------------



Matching Alternator, Water Pumps, Power Steering Pumps, A/C Compressors, Etc.... See Pages 71-76



Outward Mount Serpentine Kit

Outward Mount Alternator and A/C Optional Power Steering

**CHEVY
SMALL BLOCK**

This system bolts to the front of any 1969 or later small block Chevy heads. Precision CNC machined from solid billet 6061-T6 aluminum to fit perfectly and handle high torque and vibration. This bracket kit comes complete with stainless steel tensioning rods and chrome moly rod ends for high performance operation. All necessary hardware included. Matching serpentine pulleys are precision CNC machined from 6061-T6 aluminum. This is the same material we use for NASCAR pulleys! These pulleys will not fracture like common cast pulleys. High tensile strength means much longer wear. We go as far as hard coating the high wear areas on our pulleys! Our high water flow ratio increase water flow and fan speed. This helps at critical low speed driving.

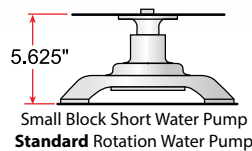
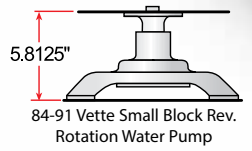
Application: These kits fit most 1955 and newer Chevys and Corvettes 1963 to 1982. Water pump with nose cover extends 6.5" from the engine block, plus clearance for mechanical or electric fans. Requires 2 accessory holes in head for mounting. Kits with power steering must have side motor mounts (55-57 chevys)

NOTE: Chevelle, Monte Carlo, El Camino, 1970 and newer Camaro, and S-10 require remote power steering kit. If using ZZ4 style timing cover you will have to modify short water pump for clearance.

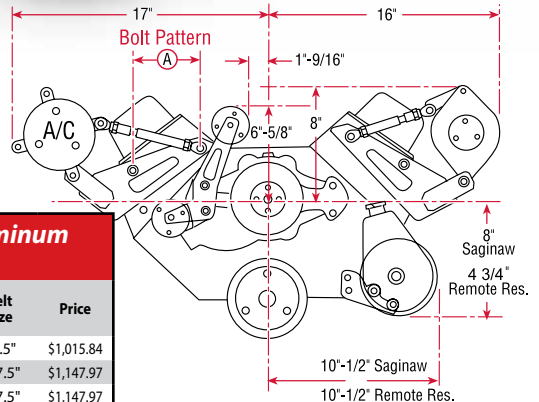
Kit Includes: • Alternator and A/C brackets • Tensioning rods and adjustable rod ends • Alternator relocation arm • Idler bracket with dual idlers • Heater hose extension fitting • Crank pulley, Water pump pulley with nose cover and alternator pulley with fan and nose cover • A/C clutch cover • Grade 8 Mounting hardware • Power steering kit includes power steering bracket and pulley

Optional Accessories: • #450 Billet Aluminum remote power steering reservoir, (See Page 73) • Stainless braided power steering line kits

Shown With Optional Futura
Style Air Cleaner and Valve Covers
See Accessories Page 75-76



Standard Rotation Water Pump



Check Bolt Pattern (A)

A = 4³/₁₆" Kits for Engines with 1969 - Later Cast Iron Heads & Aftermarket Aluminum Heads

Kit #Drives	Alternator	A/C	Water Pump	Canister Style Keyway P/S Pump	Canister Style Press Fit P/S Pump	Remote P/S	Belt Size	Price
20405	YES	YES	YES				95.5"	\$1,015.84
20406	YES	YES	YES	YES			107.5"	\$1,147.97
20407	YES	YES	YES		YES		107.5"	\$1,147.97
20408	YES	YES	YES			YES	102.5"	\$1,218.42

A = 3⁹/₃₂" Kits for Engines with L98 & ZZ4 Aluminum Heads

20415	YES	YES	YES				94"	\$1,015.84
20416	YES	YES	YES	YES			106.5"	\$1,147.19
20417	YES	YES	YES		YES		106.5"	\$1,147.19
20418	YES	YES	YES			YES	100"	\$1,218.42

Type of Accessories	GM 6-12 o'clock mounting 6" or 7" diameter Alt.	Sanden 505 or 508 serpentine A/C	1984-91 Corvette reverse rotation W/P	1966-74 keyway Canister Style pump	1975-78 press fit Canister Style pump	1987 Sunbird small remote reservoir pump	Dayco 6 rib
---------------------	---	----------------------------------	---------------------------------------	------------------------------------	---------------------------------------	--	-------------

Performance Kits (Increases Horsepower)

Kit #Drives	Alternator	Water Pump	Canister Style Keyway P/S Pump	Canister Style Press Fit P/S Pump	Remote P/S	Belt Size	Price
20420	YES	YES				53.8"	\$492.94
20440	YES	YES	YES			54.8"	\$635.19
20445	YES	YES		YES		54.8"	\$635.19
20460	YES	YES			YES	54.8"	\$775.39
20475	YES	(electric) YES				49"	\$436.99

High Water Flow Kits (Increases Cooling)

20430	YES	YES				53.8"	\$499.93
20450	YES	YES	YES			54.8"	\$632.40
20455	YES	YES		YES		54.8"	\$632.40
20470	YES	YES			YES	56"	\$782.38

Type of Accessories	GM 6-12 o'clock mounting 6" or 7" diameter Alt.	Short W/P standard rotation	1966-74 keyway Canister Style pump	1975-78 press fit Canister Style pump	1987 Sunbird small remote reservoir pump	Dayco 6 rib
---------------------	---	-----------------------------	------------------------------------	---------------------------------------	--	-------------

For Black Powder Coating, Add "-08" to kit number..... "12345-08"



**CLEAR
Powder Coated
NO Polishing Required**

Matching Alternator, Water Pumps, Power Steering Pumps, A/C Compressors, Etc..... See Pages 71-76



If You Need Help Choosing Parts Let Our Experienced Technical Staff Help 1-888-729-9070 www.marchperf.com

"Ultra" Outward Mount Serpentine Kit

Outward Mount Alternator and A/C Optional Power Steering

This system bolts to the front of any 1969 or later small block Chevy heads. This bracket kit comes complete with stainless steel tensioning rods and chrome moly rod ends. All necessary hardware included. Matching serpentine pulleys are precision CNC machined from 6061-T6 aluminum. High tensile strength means much longer wear. We go as far as hard coating the high wear areas on our pulleys! Our high water flow ratios increase water flow and fan speed. This helps at critical low speed driving.

Application: This kit is designed to fit 1955 or later Chevys and 1968-1982 Corvettes. Kits with A/C require 1984-1991 Corvette reverse rotation short water pump. Requires two accessory holes in head for mounting. Kit with power steering must have side motor mounts (55-57 chevys). If using ZZ4 style timing cover you will have to modify short water pump for clearance. Blower setups...call for different Idler arrangements **NOTE: Chevelle, Monte Carlo, El Camino. 1970 and newer Camaro and S-10 require remote power steering kit.**

Kit Includes: • Alternator and A/C brackets • Tensioning rods and adjustable rod ends
• Alternator relocation arm • Idler bracket with dual idlers • Heater hose extension fitting • Crank pulley, water pump pulley with nose cover and alternator pulley with fan and nose cover • A/C clutch cover • Grade 8 Mounting hardware • Power steering kit includes power steering bracket and pulley

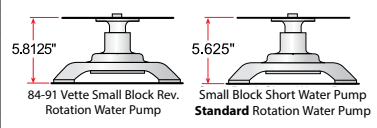
Optional: • #450 Billet Aluminum remote power steering reservoir, (See Page 73) • Stainless braided power steering line kits

SHORT WATER PUMP

**CHEVY
SMALL BLOCK**



**Ultra Kit
Styling**



High Water Flow Kits (Increases Cooling)								
Kit #Drives	Alternator	A/C	Water Pump	Canister Style Keyway P/S Pump	Canister Style Press Fit P/S Pump	Remote P/S	Belt Size	Price
20425	YES	YES	YES rev. rotation				94.5"	\$1,072.56
20426	YES	YES	YES rev. rotation	YES			106.5"	\$1,147.19
20427	YES	YES	YES rev. rotation		YES		106.5"	\$1,204.75
20428	YES	YES	YES rev. rotation			YES	102"	\$1,275.19
20432	YES		YES std. rotation				54.8"	\$528.32
20451	YES		YES std. rotation	YES			61.5"	\$749.12
Type of Accessories	GM 6-12 o'clock mounting 6" or 7" diameter Alt.	Sanden 505 or 508 serpentine A/C	Short W/P std to 84-91 Vette Small Block Rev. Rotation W/P	1966-74 keyway Canister Style pump with canister	1975-78 press fit Canister Style pump with canister	1987 Sunbird small remote reservoir pump	Dayco 6 rib	

For Black Powder Coating, Add "-08" to kit number..... "12345-08"

"Outward Mount" Serpentine Kit

For Blower & Ram Jet Engines Alternator and A/C, Optional Power Steering

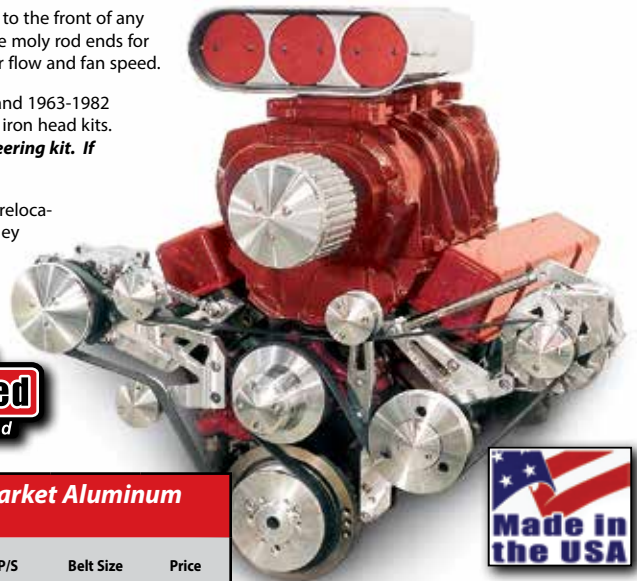
Designed to help solve the problem of mounting accessories on motors with blowers. This system bolts to the front of any 1969 or later small block Chevy heads. Comes complete with stainless steel tensioning rods and chrome moly rod ends for high performance operation. All necessary hardware included. Our high water flow ratios increase water flow and fan speed.

Application: Blower Ram Jet and Multi Carbs Setups. This kit is designed to fit 1955 or later Chevys and 1963-1982 Corvettes. Kit requires 1984-1991 Corvette reverse rotation short water pump. Ram Jet engines use cast iron head kits. **NOTE: Chevelle, Monte Carlo, El Camino. 1970 and newer Camaro, and S-10 require remote power steering kit. If using ZZ4 style timing cover you will have to modify short water pump for clearance.**

Kit Includes: • Alternator and A/C brackets • Tensioning rods and adjustable rod ends • Alternator relocation arm • Idler bracket with dual idlers • Heater hose extension fitting • Crank pulley, Water pump pulley with nose cover and alternator pulley with fan and nose cover • A/C clutch cover • Grade 8 Mounting hardware • Power steering kit includes power steering bracket and pulley

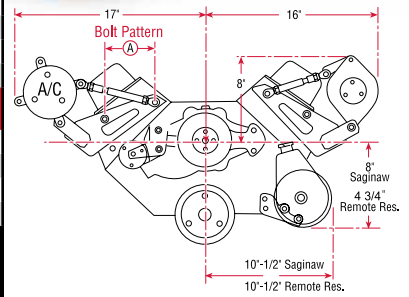
Optional Accessories: • #450 Billet Aluminum remote power steering reservoir, (See Page 73)
• Stainless braided power steering line kits

**CLEAR
Powder Coated
NO Polishing Required**



Check Bolt Pattern (A)

A = 4 ³ / ₁₆ " Kits for Engines with 1969 - Later Cast Iron Heads & Aftermarket Aluminum Heads								
Kit #Drives	Alternator	A/C	Water Pump	Canister Style Keyway P/S Pump	Canister Style Press Fit P/S Pump	Remote P/S	Belt Size	Price
20409	YES	YES	YES				92.25"	\$1,162.33
20410	YES	YES	YES	YES			103.75"	\$1,351.23
20411	YES	YES	YES		YES		103.75"	\$1,294.11
20412	YES	YES	YES			YES	98.5"	\$1,364.91
A = 3 ⁹ / ₃₂ " Kits for Engines with L98 & ZZ4 Aluminum Heads								
20421	YES	YES	YES				92.25"	\$1,162.33
20422	YES	YES	YES	YES			103.75"	\$1,294.46
20423	YES	YES	YES		YES		103.75"	\$1,294.46
20424	YES	YES	YES			YES	98.5"	\$1,364.91
Type of Accessories	GM 6-12 o'clock mounting 6" or 7" diameter Alt.	Sanden 505 or 508 serpentine A/C	1984-91 Corvette reverse rotation W/P	1966-74 keyway Canister Style pump	1975-78 press fit Canister Style pump	1987 Sunbird small remote reservoir pump	Dayco 6 rib	



Matching Alternator, Water Pumps, Power Steering Pumps, A/C Compressors, Etc.... See Pages 71-76



"Sport Track" Wide Mount Serpentine Kit

Outward Mount Alternator and A/C Optional Power Steering

**CHEVY
SMALL BLOCK**

Low Price

SPORT TRACK

High Performance

**Perfect for Low Hood Applications
like 63 to 82 Corvettes**

Ultra Style with Clear Powder Coated brackets, pulleys and pulley covers. Highly styled separate alternator, power steering and air conditioning bracket. Option of remote or canister power steering or no power steering. Comes complete with alternator, an alternator pulley with fan and nose cover, A/C compressor and nose cover, a water pump with pulley and nose cover, a crank pulley and the alternator/A/C bracket. Kits with power steering include a type2 remote power steering pump or Saginaw canister style pump and the power steering pump pulley with nose cover. These kits also include all the mounting hardware you'll need and detailed instructions so installation is a snap.

Application: Chevy Small Block Short Water Pump, Fits 1963 -1982 Corvettes , Chevy 2, Camaro , Malibu, Full size Chevy.

NOTE: GM A Body, 1970 and newer F Body, and G Body Vehicles require remote reservoir power steering kits.

Kit Includes: • 105 Amp Alternator Satin (Chrome In Ultra Kits) • Alternator pulley with fan • Matching Chrome A/C compressor • Sanden A/C Compressor Satin (Chrome In Ultra Kit) • Water pump and Hardcoated pulley • Alternator and A/C Brackets • Crank pulley (Larger Dia for better accessory drive) • Four idlers for perfect no-slip belt wrap • All mounting hardware

Kits with power steering include: • GM Type 2 power steering pump (does not include hoses or reservoir) • Saginaw Canister steering pump (no reservoir or lines required) • Power steering pulley • Bracket with mounting hardware.

Optional: • #450 Billet Remote Power Steering Reservoir • Stainless Braided Power Steering Hose Kits • 418-06 Chrome A/C Manifold • 140 amp or 320 amp Alternator



Ultra Style Clear

Ultra Style with Clear Powder Coated brackets, pulleys and pulley covers.



**BLACK
Powder Coating**

**CLEAR
Powder Coated
NO Polishing Required**

Sport Track Wide Mount

Kit #	Drives	Alt.	W/P	A/C	Remote P/S	Canister P/S	Belt Size	Price
21730	(Ultra Clear)	Yes	Yes	-	-	-		\$1225.75
21735	(Ultra Clear)	Yes	Yes	Yes	-	-		\$2095.00
21740	(Ultra Clear)	Yes	Yes	-	Yes	-		\$1437.50
21745	(Ultra Clear)	Yes	Yes	-	-	Yes		\$1563.75
21750	(Ultra Clear)	Yes	Yes	Yes	Yes	-		\$2150.75
21755	(Ultra Clear)	Yes	Yes	Yes	-	Yes		\$2295.75
21700-09	(Silver)	Yes	Yes	-	-	-		\$995.75
21700-08	(Black)	Yes	Yes	-	-	-		\$995.75
21705-09	(Silver)	Yes	Yes	Yes	-	-		\$1505.95
21705-08	(Black)	Yes	Yes	Yes	-	-		\$1505.95
21710-09	(Silver)	Yes	Yes	-	Yes	-		\$1205.75
21710-08	(Black)	Yes	Yes	-	Yes	-		\$1205.75
21715-09	(Silver)	Yes	Yes	-	-	Yes		\$1395.75
21715-08	(Black)	Yes	Yes	-	-	Yes		\$1395.75
21720-09	(Silver)	Yes	Yes	Yes	Yes	-		\$1649.75
21720-08	(Black)	Yes	Yes	Yes	Yes	-		\$1649.75
21725-09	(Silver)	Yes	Yes	Yes	-	Yes		\$1795.75
21725-09	(Black)	Yes	Yes	Yes	-	Yes		\$1795.75

Type of Accessories: 105 Amp Chrome Alternator, Short W/P Standard Rotation, Sanden 7176 Compressor, Type 2 Remote Pump, Saginaw Keyed Canister Pump, Dayco 6 Rib

For Black Powder Coating, Add "-08" to kit number..... "12345-08"



Complete Quality Components

Matching Alternator, Water Pumps, Power Steering Pumps, A/C Compressors, Etc..... See Pages 71-76



If You Need Help Choosing Parts Let Our Experienced Technical Staff Help 1-888-729-9070 www.marchperf.com

Early Model Corvette Serpentine Kits

Alternator & Optional A/C & Power Steering

SHORT WATER PUMP

**CORVETTE
SMALL BLOCK**

Early Model Corvette

These new kits makes use of a unique easy to use belt tension adjustment tool for the alternator and A/C. Once the belt tension has been set, the adjustment tool is easily removed and stowed away. As a result, the Style Track or Revolver displays a much cleaner appearance. A separate easy to use rod end at the power steering pump allows accurate adjustment of the crank, power steering and water pump belt. Two separate idlers ensure perfect "no-slip" belt wrap.

Application: Chevy Small Block in 1963 - 1967 C2 Corvettes and 1968 - 1982 C3 Corvettes.

Kit Includes: • 105 Amp Chrome Alternator, • Alternator pulley with fan and nose cover • Matching Chrome A/C compressor • A/C Compressor nose cover • Water pump and pulley with nose cover • Alternator/A/C Bracket • Crank pulley • Idlers • GM Type 2 power steering pump (does not include hoses or reservoir) • Power steering pulley with nose cover • Power steering Bracket with adjustment rod and mounting hardware. • Belt Tensioning Tool • All mounting hardware

Optional: • #450 Billet Aluminum remote power steering reservoir, (See Page 73) • 418-06 Chrome A/C Manifold • 140 amp or 320 amp Alternator • P622 Polished Stainless fasteners, (kits with Alt & P/S only) P623 (kits with Alt, A/C & P/S)

Style
TRACK



#21140 Alt and P/S Chrome

**Crank Pulley Clears
Corvette Frames**

Revolver



#21175 Chrome Alt and P/S



Clears Corvette Frame!

Style Track

Kit # Drives	Alt.	W/P	A/C	Remote P/S	Canister P/S	Belt Size	Price
21135	Yes	Yes	Yes	Yes		CR, W/P, P/S 41.5" W/P, A/C, ALT 50.0"	\$2,520.00
21140	Yes (Chrome)	Yes	-	-	Yes (Chrome)	37" and 47"	\$2,308.95
21145	Yes (Billet)	Yes	-	-	Yes (Billet)	37" and 47"	\$2,614.50

Revolver

21170	Yes	Yes	Yes	Yes		CR, W/P, P/S 41.5" W/P, A/C, ALT 50.0"	\$2,520.00
21175	Yes (Chrome)	Yes	-	-	Yes (Chrome)	37" and 47"	\$2,308.95
21180	Yes (Billet)	Yes	-	-	Yes (Billet)	37" and 47"	\$2,614.50

Type of Accessories	105 Amp Chrome Alternator	Short W/P Standard Rotation	Sanden 7176 Compressor	Type 2 Remote Pump	Saginaw Keyed Canister Pump	Dayco 6 Rib	
---------------------	---------------------------	-----------------------------	------------------------	--------------------	-----------------------------	-------------	--

For Black Powder Coating, Add "-08" to kit number..... "12345-08"

Matching Alternator, Water Pumps, Power Steering Pumps, A/C Compressors, Etc..... See Pages 71-76

"Revolver & Style Track" Electric Water Pump Bracket Kits

Billet or Chrome Alternator and Power Steering

This newly styled Revolver serpentine drive kit from March Performance is specially designed to address the problem of driving the alternator and power steering on engine with the popular electric water pumps. This rigid one-piece bracket is the perfect solution. It's easy to install and incorporates two idlers to ensure perfect "no-slip" belt wrap. Like our other Revolver kits it makes use of a unique easy to use belt tension adjustment tool. Once the belt tension has been set, the adjustment tool is easily removed and stowed away until the next time the belt requires adjustment.

Application: Chevy Small Blocks.

Kit Includes: ● 140 amp March Billet alternator, (kit #22100) ● 105 amp chrome alternator, (kit #22105) ● Chrome Sanden A/C compressor (kits 22110, 22115) ● Alternator pulley with fan and nose cover ● Alternator / Power Steering Bracket ● March Billet Canister Style power steering pump (kit#22100) ● Chrome Canister Style power steering pump (kit #22105) ● Meziere Electric Water Pump and radiator adaptor ● Two Idlers ● Crank pulley ● All mounting hardware ● Power Steering Pulley with Nose Cover



Available "Style Track" with A/C



Shown with Billet Alternator and Power Steering

Chevy Small Block							
Kit #Drives	Alt.	Electric Water Pump	A/C	Canister Style Keyway P/S Pump	Remote P/S Pump	Belt Size	Price
22100 with Billet Alt. & P/S	Yes	Yes		Yes		66"	\$2,236.50
22105 with Chrome Alt. & P/S	Yes	Yes		Yes		66"	\$1,926.75
22110	Yes	Yes	Yes			64.5"	\$1,995.00
22115	Yes	Yes	Yes		Yes	66.5"	\$2,310.00
Type of Accessories	105 Amp Chrome Alternator or March Billet Alternator	CSR Electric Water Pump	Sanden 7176 Compressor	Chrome or Billet Canister Style Pump	Type 2 Remote Pump	Dayco 6 Rib	

Chevy "Ultra" Electric Water Pump Bracket Kits

Electric Water Pump Serpentine Kits for Meziere, CSR & Proform Pumps



Designed to solve the problem of how to mount accessories to engines with the popular electric water pumps.

These ULTRA brackets feature show quality styling and March's own non-polishing clear powder coat, Pulleys are CNC machined from solid billet 6061-T6 aluminum. This translates into a spectacular looking new machine finish with perfect fit and extra high strength. Complete with stainless steel tensioning rod and chrome moly rod ends.

Application: Kits for Meziere, CSI/CSR, and Proform electric water pumps.

Kits Include: ● Crank Pulley ● Alternator bracket ● Alternator pulley ● Alternator fan and cover ● Tensioning relocation arm ● Stainless tensioning rod and rod ends. ● Power steering kit includes bracket and pulley. ● All grade 8 mounting hardware and bolts

Optional: ● #360 Power Steering Nose Cover (shown) ● #P901 Small Block Meziere Electric Water Pump (clear anodized) ● #P908 Meziere Electric Water Pump radiator hose adapter

Electric Water Pump Serpentine Kits						
Kit #Drives	Alt.	Canister Style Keyway P/S Pump	Canister Style Press Fit P/S Pump	Alt. Belt Size	P/S 6 Rib Belt Size	Price
22015	YES			34"		\$374.85
22016	YES	YES		34"	39.5"	\$598.66
22017	YES		YES	34"	39.5"	\$598.66
Type of Accessories	GM 6-12 o'clock mounting 7" diameter Alt.	1966-74 keyway Canister Style pump	1975-78 press fit Canister Style pump	Dayco 6 rib	Dayco 5 rib	

CLEAR Powder Coated NO Polishing Required

Bracket Kits Only

As Above but with out accessories and pulleys. Complete with brackets, adapters and stainless steel tensioning rods with chrome moly rod ends

Adapter Brackets Included

Part #22025 Small Block Alternator Bracket: Alternator Bracket, Stainless tensioning rod and rod ends and all grade 8 Mounting Hardware \$182.91

Part #22026 Small Block Power Steering Bracket: Power Steering Bracket, and all grade 8 Mounting Hardware \$179.82



Matching Alternator, Water Pumps, Power Steering Pumps, A/C Compressors, Etc..... See Pages 71-76



If You Need Help Choosing Parts Let Our Experienced Technical Staff Help 1-888-729-9070 www.marchperf.com

Chevy LS Motor Serpentine Systems



Alternator, Air Conditioning and optional Power Steering

This newly styled serpentine kit for Chevy LS Motors offers an exciting new look when mounting an accessory drive in your muscle car or street rod.

A separate bracket allows the option of power steering or no power steering. Two separate idlers guarantee the ultimate in belt to pulley contact area for sure "no slip" operation. Precision CNC machined from 6061-T6 aluminum for strength and perfect fit. Hardcoated on high wear areas. A OEM style tensioner ensures perfect belt tension. Precision CNC machined from 6061-T6 aluminum for strength and perfect fit and Hardcoated on high wear areas for durability.

Kit 20050 is great for application not requiring A/C and comes with our own Billet alternator and a Billet case for the power steering pump.

Application: Chevy LS Motors Our Standard Kit is designed with clearance for wider Electronic (drive by wire) throttle bodies. Narrow Kits require mechanical throttle linkage.

NOTE: Requires additional balancer hub for mounting crank pulley see below. LS3 Requires water pump backing plate hardware to be changed. Call for specs. WILL NOT WORK WITH VARIABLE VALVE TIMING (VVT)

Kit Includes: • Aluminum water pump • 105 amp chrome alternator or March Billet Alternator (Kit 20050) • Alternator pulley with fan and nose cover • Chrome Sanden A/C compressor • A/C nose cover • Water pump pulley with nose cover • Alternator Bracket • A/C Bracket • Polished spring loaded belt tensioner • Crank pulley • All mounting hardware

Kits with power steering include • Chrome type 2 remote power steering pump • Billet Power Steering Pump Case (Kit 20050) • Power steering pulley with nose cover • Bracket with idler and all mounting hardware.

Optional: • #450 Billet Remote Power Steering Reservoir • Stainless Braided Power Steering Hose Kits • 140 amp or 320 amp Alternator



Shown in Optional Chrome

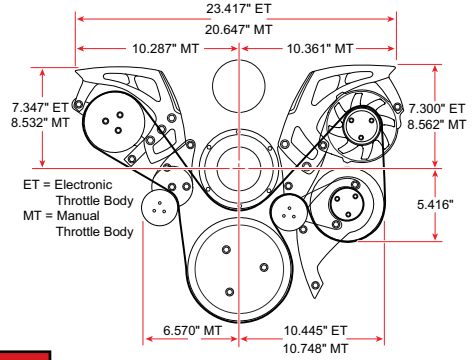
March's Own Billet Aluminum Alternator



Billet Remote Power Steering Pump with Cover



CLEAR Powder Coated
NO Polishing Required



Kit #20055 LS Style Track with Billet Alt & PS, with Low Mounted AC.

Alternator Only Kit

Narrow Kit (for use with mechanical throttle bodies only)						
Kit #	Drives	Alt.	Water Pump	A/C	Power Steering	Price
20065		Yes	Yes	Yes	Yes	\$2,451.49
20075		Yes	Yes	Yes	-	\$2,120.74
Standard Kit (wider spacing for use with electronic throttle bodies)						
20060		Yes	Yes	Yes	Yes	\$2,451.49
20070		Yes	Yes	Yes	-	\$2,120.74
20050		Yes (Billet)	Yes	-	Yes (Billet)	\$2,436.00
20055		Yes (Billet)	-	Yes (low mount)	Yes (Billet)	\$2,850.00
20040	Alternator Only	Drives alternator and water pump only. Includes alternator bracket, Belt adjustment bracket with idler and idler cap, water pump with nose cover, crank pulley.			53.7"	\$892.50
		Does not include Alternator, use you own factory Camaro/Firebird Alternator or P573 Chrome 105 Amp Alternator or March Performance #9655 Billet Alternator.				
Type of Accessories	105 Amp Polished Alternator or March Performance Billet Alternator		Sanden 7176 Compressor	Type 2 Remote Pump	Dayco 6 Rib	

Hub Adapters, required to match your application

- #354 - Jegs style balancer\$79.38
- #355 - LS1 Camaro/Firebird balance.....\$79.38

- #356 - LS-7 balancer\$79.38
- #358 - LS-1 Corvette balancer\$79.38

NOTE: Hubs are based on factory style balancers, aftermarket balancers may require modifications to hubs for installation.



Complete Quality Components

Matching Alternator, Water Pumps, Power Steering Pumps, A/C Compressors, Etc..... See Pages 71-76



Sport Track for Corvettes

Alternator, Air Conditioning and Power Steering

**CHEVY
LS MOTORS**



**March Quality and Innovation
for the Budget Engine Builder**

Low Cost Option for LS Engines

New Innovative Kit uses one part number for all LS motors: Corvette, Camaros, and truck offsets This low cost all inclusive kit takes out the aggravation of searching for the many parts required to assemble a serpentine kit. Designed as a Economical kit that can handle the power and torque of high performance engines. CNC machined from 6061-T6 billet plate for extra strength. Silver or Black powder coated for Low Maintenance operation. Four idlers for excellent no-slip belt wrap. OEM style power steering pump and pulley.

Application: LS Motors.

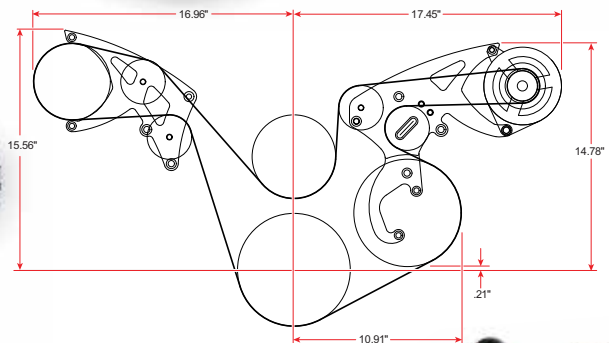
Kit Includes: 140 amp Alternator • Alternator pulley with fan
• Alternator bracket • A/C bracket • Sanden A/C Unit • Power steering brackets • Type 2 Remote Reservoir Power Steering Pump
• Idlers • All mounting hardware



**Silver Powder
Coat**





**BLACK
Powder Coating**



Complete Quality Components

Chevy LS Motors						
Kit # Drives	Alt.	W/P	A/C	Power Steering	Belt Size	Price
19910-08 Black	Yes	Yes		Yes	call	\$934.50
19910-09 Silver	Yes	Yes		Yes	call	\$934.50
19915-08 Black	Yes	Yes	Yes	Yes	104.5"	\$1,569.75
19915-09 Silver	Yes	Yes	Yes	Yes	104.5"	\$1,569.75
Type of Accessories	105 Amp Alternator	Corvette LS Pump	Sanden A/C Compressor	Type 2 Remote Pump	Dayco 6 Rib	

Optional Accessories for this Kit. See Accessory pages for more info

	#P340 Remote P/S Reservoir		Optional Billet Covers See Page 75
---	----------------------------	---	------------------------------------

LS-1 Mass Air Flow Air Filter with Billet Aluminum Cover

#P803 3 Pin MAF with filter and cover

#P805 5 Pin MAF with filter and cover

#P815 5 Pin MAF with hose adapter, filter and cover

Call for price



Matching Alternator, Water Pumps, Power Steering Pumps, A/C Compressors, Etc..... See Pages 71-76



If You Need Help Choosing Parts Let Our Experienced Technical Staff Help 1-888-729-9070 www.marchperf.com

Chevy LS Motor Serpentine Systems

Alternator, Air Conditioning and optional Power Steering



**Light weight,
Extra Strength, Race Proven**

Designed for Use In High Performance Applications on LS Based Engines Just the thing for mounting accessory components on the popular LS motors when used in hot rod and street rod applications.

Precision CNC machined from 6061-T6 aluminum for strength and perfect fit and Hardcoated on high wear areas for durability. A OEM style tensioner ensures perfect belt tension and a canister style power steering pump provides compact hydraulic pressure for power steering. Clear powder coated for maintenance free operation, available in black powder coating as well.

Application: Chevy LS Motors.

NOTE: LS3 Requires water pump backing plate hardware to be changed. Call for specs. WILL NOT WORK WITH VARIABLE VALVE TIMING (VVT), NOTE : Requires Additional Hub For Mounting Crank Pulley

Kit Includes: ● Aluminum water pump ● 140 amp Alternator ● Alternator pulley with fan and nose cover ● Alternator bracket ● A/C bracket ● Sanden A/C Unit ● Power steering brackets ● Type 2 Power Steering Pump ● Power steering pulley with nose cover ● Crank pulley ● Idlers ● All mounting hardware
Requires balancer hub adapter (see below)



**BLACK
Powder Coating**

**CLEAR
Powder Coated
NO Polishing Required**

Chevy LS Motors						
Kit # Drives	Alt.	W/P	A/C	Power Steering	Belt Size	Price
20020	Yes	Yes	-	-	65"	\$1,102.50
20025	Yes	Yes	-	Yes	78.5"	\$1,493.10
20030	Yes	Yes	Yes	-	71.5"	\$1,760.85
20035	Yes	Yes	Yes	Yes	90.5"	\$2,094.75
Type of Accessories	105 Amp Alternator	Corvette LS Pump	Sanden A/C Compressor	Type 2 Remote Pump	Dayco 6 Rib	

For Black Powder Coating, Add "-08" to kit number "12345-08"

Hub Adapters, required to match your application

- #354 - Jegs style balancer\$79.38
- #355 - LS1 Camaro/Firebird balance\$79.38
- #356 - LS-7 balancer\$79.38
- #358 - LS-1 Corvette balancer\$79.38
- P800 - Fluid Damper Brand Balancer With Crank Pulley

NOTE: Hubs are based on factory style balancers, aftermarket balancers may require modifications to hubs for installation.



Complete Quality Components

Matching Alternator, Water Pumps, Power Steering Pumps, A/C Compressors, Etc..... See Pages 71-76



LT-1 "Style Track" Serpentine Kits



Alternator, Air Conditioning and Power Steering



Built especially for Chevy LT-1 motors.

This serpentine kit offers an exciting new look when mounting and accessory drive in your muscle car or street rod.

Compact design and extremely adaptable with options for everything from alternator only to alternator, A/C, and Remote Power Steering. Two separate idlers guarantee the ultimate in belt to pulley contact area for sure "no slip" operation. Separate crank pulley hub adapters to fit Corvette or Camaro LT-1 motors.



Alternator & Power Steering P/S Only Kit

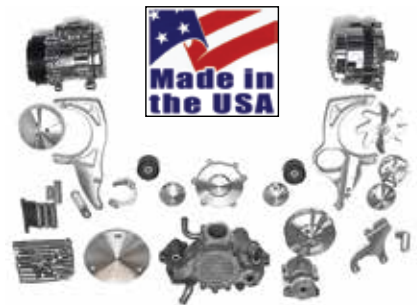
See Web Site for Dimensions

Application: Chevy Corvette or Camaro LT-1.

NOTE: Requires crank hub adapter to fit your type motor, see below. Motors from other applications may require modification to hub for crank pulley alignment.

Kit Includes • 105 Amp Chrome Alternator • Alternator pulley with fan and nose cover • Aluminum Water Pump • Billet Water Pump Cover • Alternator Bracket • Chrome 7176 A/C Compressor & Billet Nose Cover • A/C Bracket • Idlers and Idler Covers • All mounting hardware Kits With Power Steering Include: • Type 2 remote power steering pump • Power steering pulley with nose cover • All Mounting Hardware

Optional: • #450 Billet Remote Power Steering Reservoir • Stainless Braided Power Steering Hose Kits • 418-06 Chrome A/C Manifold • 140 amp Alternator



Complete Quality Components

Corvette Style Track LT-1					
Kit # Drives	Alt.	A/C	Power Steering	Belt Size	Price
20970	Yes			47.5"	\$971.25
20975	Yes		Yes	54.5"	\$1,246.35
20980	Yes	Yes		71.5"	\$1,548.75
20985	Yes	Yes	Yes	78.5"	\$1,794.45
Type of Accessories	105 Amp Chrome Alternator	Chrome 7176 A/C Compressor	Type 2 Remote Pump	Dayco 6 Rib	
For Chrome add "-06" to kit number..... "12345-06" • For "Black Onyx" Powder Coating, Add "-07" • For Black Powder Coating, Add "-08"					
Crank Hub Adapters (Required for Kits Includes Crank Pulley Cover)					
348	Crank Hub Adapter to fit Camaro/Firebird Balancer				\$131.25
349	Crank Hub Adapter to fit Corvette Balancer				\$131.25

LT-1 Outward & High Mount Serpentine Kits

High mount kit is designed to fit 1957 and earlier cars and all full size trucks. Outward mount kit is designed to fit early 50's later wide bodied cars, A/C and alternator extend outward 17" from center of water pump.



Corvette LT-1 Engine					
Kit #Drives	Alt.	A/C	Remote Reservoir P/S	Belt Size	Price
20910 High Mount	YES	YES		68.5"	\$854.03
20911 High Mount	YES	YES	YES	75"	\$1,007.45
20930 Outward Mount	YES			50"	\$562.35
20935 Outward Mount	YES		YES	54.5"	\$794.64
20940 Outward Mount	YES	YES		80.5"	\$1,048.44
20945 Outward Mount	YES	YES	YES	85"	\$1,280.71
Camaro/Firebird LT-1 Engine					
20920 High Mount	YES	YES		68.5"	\$903.19
20921 High Mount	YES	YES	YES	75"	\$1,056.59
20960 Outward Mount	YES			50"	\$612.39
20965 Outward Mount	YES		YES	54.5"	\$845.27
20950 Outward Mount	YES	YES		80.5"	\$1,098.48
20955 Outward Mount	YES	YES	YES	85"	\$1,331.35
Type of Accessories	Gm Alt With 6 and 12 O'clock Mounting Positions 6 or 7 Inch Case	Sanden 505 or 508 serpentine A/C	Type 2 Remote Reservoir Pump	Dayco 6 rib	
For Black Powder Coating, Add "-08" to kit number..... "12345-08"					

Kit Includes: • Alternator and A/C brackets with tensioning rods and hardware • Idler brackets with Idlers, cover and double bearings • Crankshaft adapter for Camaro/Firebird engine • Water pump housing cover • A/C nose cover • Alternator pulley with fan and nose cover • Power steering kits include bracket and pulley with pulley nose cover • Grade 8 mounting hardware

Optional: • #450 Billet Aluminum remote power steering reservoir, (See Page 73)



Offset Air Inlet for LT-1

Helps clear accessories **Note : Not For Use With Mass Air Flow**

#20976 Offset Air Inlet for LT-1 Adaptor # P9861 K&N Air Filter for Offset Adaptor. Washable and reusable.

Matching Alternator, Water Pumps, Power Steering Pumps, A/C Compressors, Etc..... See Pages 71-76



If You Need Help Choosing Parts Let Our Experienced Technical Staff Help 1-888-729-9070 www.marchperf.com

V-Belt Pulley Sets

SHORT WATER PUMP

LONG WATER PUMP

**CHEVY
BIG BLOCK**

Long and Short Water Pump

**Traditional V-Belt Pulleys
Lightweight Aluminum.
Powder Coated to be
Maintenance Free**

Performance Ratios

Our performance serpentine pulley sets replace your low performance V-belts and eliminate belt throwing while retaining your standard rotation water pump. Increases horsepower by reducing accessory drag. 12-15 h.p. at rear wheels typical. Precision CNC machined to run perfectly true. 6061-T6 aluminum for extra strength and wear.

High Water Flow Ratios

Increases cooling by speeding up water flow and fan speed. This helps at critical low speed driving where most overheating occurs.



Long Water Pump / Performance Ratios

Set #	Crank pulley	Water pump pulley	Alternator pulley with nose cover	Optional Keyway P/S pulley	Optional press fit P/S pulley	Optional alternator fan	Price
7005	1V	1V	1V			221	\$233.43
7015	2V	1V	1V	1V #513	1V #531	221	\$240.51
7020	2V	2V	1V	1V #513	1V #531	221	\$244.01
7040*	3V	2V	1V	2V #521	2V #520	221	\$248.25
7050*	3V	1V	1V	2V #521	2V #520	221	\$244.35

Long Water Pump / High Water Flow Ratios

7105	1V	1V	1V			221	\$249.55
7115	2V	1V	1V	1V #513	1V #531	221	\$256.65
7140*	3V	2V	1V	2V #521	2V #520	221	\$264.38
7150*	3V	1V	1V	2V #521	2V #520	221	\$260.39

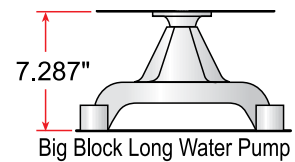
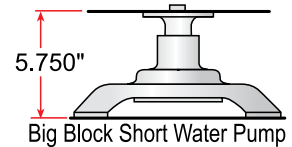
Short Water Pump / Performance Ratios

7510	1V	1V	1V			221	\$226.45
7530	2V	2V	1V	See Page 74	See Page 74	221	\$240.60
7550	3V	2V	1V	See Page 74	See Page 74	221	\$256.52

Short Water Pump / High Water Flow Ratios

7710	1V	1V	1V			221	\$241.94
7730	2V	2V	1V	See Page 74	See Page 74	221	\$256.08
7750	3V	2V	1V	See Page 74	See Page 74	221	\$259.32

**CLEAR
Powder Coated
NO Polishing Required**



* Requires 1980's style water pump for clearance or any aftermarket water pump. Optional: Water pump pulley nose cover #314 for long water pump and #312 for short water pump. P/S pulley dimension on Page 74.

7005 Set Drives: W/P, Alt.,

- 7006 1-Groove Crank Pulley 5 1/2"
- 6052 1-Groove W/P Pulley 6 1/4"
- 137 1-Groove Alt. Pulley w/Cover 2 11/16"

7015 Set Drives: W/P, Alt., P.S.

- 7021 2-Groove Crank Pulley 5 1/2"
 - 6052 1-Groove W/P Pulley 6 1/4"
 - 137 1-Groove Alt. Pulley w/Cover 2 11/16"
- Optional P.S. Pulley #513 Keyed
#531 Press Fit

7020* Set Drives: W/P, Alt., P.S. or A/C

- 7021 2-Groove Crank Pulley 5 1/2"
 - 6092 2-Groove W/P Pulley 6 1/4"
 - 137 1-Groove Alt. Pulley w/Cover 2 11/16"
- Optional P.S. Pulley #513 Keyed
#531 Press Fit

7040* Set Drives: W/P, Alt., P.S., A/C

- 7041 3-Groove Crank Pulley 5 1/2"
 - 6092 2-Groove W/P Pulley 6 1/4"
 - 137 1-Groove Alt. Pulley w/Cover 2 11/16"
- Optional P.S. Pulley #521 Keyed
#520 Press Fit

7050 Set Drives: W/P, Alt., P.S., A/C

- 7041 3-Groove Crank Pulley 5 1/2"
 - 6052 1-Groove W/P Pulley 6 1/4"
 - 137 1-Groove Alt. Pulley w/Cover 2 11/16"
- Optional P.S. Pulley #521 Keyed
#520 Press Fit

7105 Set Drives: W/P, Alt.,

- 7106 1-Groove Crank Pulley 7"
 - 6152 1-Groove W/P Pulley 5 1/2"
 - 137 1-Groove Alt. Pulley w/Cover 2 11/16"
- 7115 Set Drives: W/P, Alt., P.S.

- 7121 2-Groove Crank Pulley 7"
 - 6152 1-Groove W/P Pulley 5 1/2"
 - 137 1-Groove Alt. Pulley w/Cover 2 11/16"
- Optional P.S. Pulley #513 Keyed
#531 Press Fit

7140* Set Drives: W/P, Alt., P.S., A/C

- 7141 3-Groove Crank Pulley 7"
 - 6092 2-Groove W/P Pulley 6 1/4"
 - 137 1-Groove Alt. Pulley w/Cover 2 11/16"
- Optional P.S. Pulley #521 Keyed
#520 Press Fit

7150 Set Drives: W/P, Alt., P.S., A/C

- 7141 3-Groove Crank Pulley 7"
 - 6152 1-Groove W/P Pulley 5 1/2"
 - 137 1-Groove Alt. Pulley w/Cover 2 11/16"
- Optional P.S. Pulley #521 Keyed
#520 Press Fit

7510 Set Drives: W/P, Alt.,

- 7511 1-Groove Crank Pulley 5 1/2"
- 7512 1-Groove W/P Pulley 6 1/4"
- 137 1-Groove Alt. Pulley w/Cover 2 11/16"

7530 Set Drives: W/P, Alt., P.S. or A/C

- 7531 2-Groove Crank Pulley 5 1/2"
- 7532 2-Groove W/P Pulley 6 1/4"
- 137 1-Groove Alt. Pulley w/Cover 2 11/16"

7550 Set Drives: W/P, Alt., P.S., A/C

- 7551 3-Groove Crank Pulley 5 1/2"
- 7532 2-Groove W/P Pulley 6 1/4"
- 137 1-Groove Alt. Pulley w/Cover 2 11/16"

7710 Set Drives: W/P, Alt.,

- 7711 1-Groove Crank Pulley 7"
- 7512 1-Groove W/P Pulley 6 1/4"
- 137 1-Groove Alt. Pulley w/Cover 2 11/16"

7730 Set Drives: W/P, Alt., P.S. or A/C

- 7731 2-Groove Crank Pulley 7"
 - 7532 2-Groove W/P Pulley 6 1/4"
 - 137 1-Groove Alt. Pulley w/Cover 2 11/16"
- 7750 Set Drives: W/P, Alt., P.S., A/C
- 7751 3-Groove Crank Pulley 7"
 - 7532 2-Groove W/P Pulley 6 1/4"
 - 137 1-Groove Alt. Pulley w/Cover 2 11/16"

* Must use early 80's W/P or aftermarket.



**Using American
6061 T6 Aluminum**

Matching Alternator, Water Pumps, Power Steering Pumps, A/C Compressors, Etc.... See Pages 71-76

Serpentine Conversion Pulley Sets

**CHEVY
BIG BLOCK**

Standard Rotation Long and Short Water Pump Engines

Replace your old V-Belt pulley for modern No-Slip operation

Performance Ratios Our performance serpentine pulley sets replace your Low performance V-belts and eliminate belt throwing while retaining your standard rotation water pump. Increases horsepower by reducing accessory drag. 12-15 h.p. at rear wheels typical. Precision CNC machined to run perfectly true. 6061-T6 aluminum for extra strength and wear.

Mid Performance Ratios Uses performance crank pulley and high water flow water pump pulley.

High Water Flow Ratios Increases cooling by speeding up water flow and fan speed. This helps at critical low speed driving where most overheating occurs.

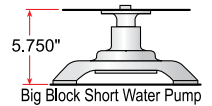
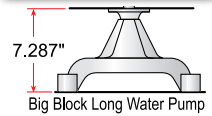
SHORT WATER PUMP

LONG WATER PUMP



Shown with optional alternator fan #221

**CLEAR
Powder Coated**
NO Polishing Required



Long Water Pump / Performance Ratios								
Set #	Crank pulley	W/P pulley	Alt. pulley with nose cover	Keyway P/S pulley	Press fit P/S pulley	Alt. belt size with March #20125 bracket	P/S belt size with March #20150 bracket	Price
7210	YES	YES	YES			42.5"		\$253.14
7630	YES	YES	YES	Order #616	Order #617	42.5"	38"	\$247.50
Long Water Pump / Mid Performance Ratios								
7635	YES	YES	YES			42.5"		\$247.50
7640	YES	YES	YES	Order #616	Order #617	42.5"	38"	\$247.50
Long Water Pump / High Water Flow Ratios								
7310	YES	YES	YES			44.5"		\$261.49
7330	YES	YES	YES	Order #623	Order #624	44.5"	39"	\$247.50
Short Water Pump / Performance Ratios								
Set #	Crank pulley	W/P pulley	Alt. pulley with nose cover	Optional W/P nose cover	Optional Alt. fan	Price		
7610	YES	YES	YES		312	221		\$247.50
Short Water Pump / High Water Flow Ratios								
7670	YES	YES	YES		312	221		\$262.99

Optional: Water pump pulley nose cover #314 for long water pump and #221 alternator fan. NOTE: Short water pump engines with power steering see complete kits on page 40

7210 Set Drives: W/P, Alt.,

- 7211 6-Rib Crank Pulley 5 3/4" dia.
- 6312 6-Rib W/P Pulley 6 1/4" dia.
- 208 6-Rib Alt. Pulley w/Cover 2 3/4" dia.

7630 Set Drives: W/P, Alt., and P.S.

- 7231 6&5-Rib Crank Pulley 5 3/4" dia.
- 6312 6-Rib W/P Pulley 6 1/4" dia.
- 208 6-Rib Alt. Pulley w/Cover 2 3/4" dia.

7635 Set Drives: W/P, Alt.,

- 7211 6-Rib Crank Pulley 5 3/4" dia.
- 6322 6-Rib W/P Pulley 5 1/4" dia.
- 208 6-Rib Alt. Pulley w/Cover 2 3/4" dia.

7640 Set Drives: W/P, Alt., and P.S.

- 7231 6&5-Rib Crank Pulley 5 3/4" dia.
- 6322 6-Rib W/P Pulley 5 1/4" dia.
- 208 6-Rib Alt. Pulley w/Cover 2 3/4" dia.

7640 and 7630 Set Requires: 616 or 617 matching P/S Pulley

- 616 5-Rib P/S Pulley w/Keyway
- 617 5-Rib P/S Pulley w/Press Fit

7310 Set Drives: W/P, Alt.,

- 7311 6-Rib Crank Pulley 7" dia.
- 6322 6-Rib W/P Pulley 5 1/4" dia.
- 208 6-Rib Alt. Pulley w/Cover 2 3/4" dia.

7330 Set Drives: W/P, Alt., and P.S.

- 7331 6&6-Rib Crank Pulley 7" dia.
- 6322 6-Rib W/P Pulley 5 1/4" dia.
- 208 6-Rib Alt. Pulley w/Cover 2 3/4" dia.

7330 Set Requires: 623 or 624 matching P/S Pulley

- 623 6-Rib P/S Pulley w/Keyway
- 624 6-Rib P/S Pulley w/Press Fit

7610 Set Drives: W/P, Alt.,

- 7611 6-Rib Crank Pulley 5 3/4" dia.
- 6212 6-Rib W/P Pulley 6 1/4" dia.
- 208 6-Rib Alt. Pulley w/Cover 2 3/4" dia.

7670 Set Drives: W/P, Alt.,

- 7671 6-Rib Crank Pulley 7" dia.
- 7622 6-Rib W/P Pulley 5 1/4" dia.
- 208 6-Rib Alt. Pulley w/Cover 2 3/4" dia.

NOTE: Long water pump engines, If you do not have a P/S pump we recommend ordering #616 or #623 and a 1971-1974 Chevy Impala V8 keyed P/S pump P#300, #P304 or 9600. See Page 73

Chevy Big Block Brackets

Serpentine and V-Belt, Short Water Pump

SHORT WATER PUMP

"Inward Drivers Side Mount" Alternator Bracket

Alternator bracket fits serpentine and V-belt applications. This design will adjust to compensate for V-belt water pump flange misalignment. Comes complete with tensioning rod and grade 8 mounting hardware. Powder coated to eliminate polishing.

Part #20601 Big Block fits short water pump Chevys. Requires GM alternator with 6 & 12 o'clock mounting position \$187.06

"Inward Passenger Side Mount" A/C Bracket

A/C bracket fits serpentine and V-belt applications. Comes complete with tensioning rod and grade 8 mounting hardware. Powder coated to eliminate polishing.

Part #20602 Big Block fits short water pump Chevys. Requires Sanden #505 or #508 A/C compressor \$187.06

Application:

Ideal for narrow tall hooded cars, requires 13.5" above center of water pump, will fit some later cars.

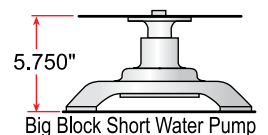


"Inward Mount" Combination Alternator & A/C Bracket

Unique design incorporates alternator and A/C bracket into one compact unit. Fits serpentine and V-belt applications. Comes complete with tensioning rod and grade 8 mounting hardware. Powder coated to eliminate polishing.

Part #20750 Big Block fits short water pump Chevys

Single carb intakes only, Requires GM alternator with 6 & 12 o'clock mounting position and Sanden #508 A/C compressor. For 9.8" deck block only \$192.42



For Black Powder Coating, Add "-08" to kit number..... "12345-08"

Matching Alternator, Water Pumps, Power Steering Pumps, A/C Compressors, Etc..... See Pages 71-76



If You Need Help Choosing Parts Let Our Experienced Technical Staff Help 1-888-729-9070 www.marchperf.com

Chevy Big Block Brackets

**CHEVY
BIG BLOCK**

SHORT WATER PUMP



"Outward Drivers Side Mount" Deluxe Alternator Bracket

Superior style brackets fit perfectly and can handle high torque and vibration. Complete with stainless steel tensioning rods and chrome moly rod ends for perfect belt tension.

Part#20136 Big Block short water pump Chevys. Requires GM alternator with 6 & 12 o'clock mounting position \$170.28

"Outward Passenger Side Mount" Ultra A/C Bracket

Part#20206 Big Block short water pump Chevys (require serpentine pulley kit #7680) Requires Sanden #505 or #508 A/C Compressor \$170.28



"Outward Mount" Alternator Brackets

Performance Series 6061-T6 Powdercoated billet aluminum brackets are precision CNC machined for perfect fit and alignment. To get belt tension perfect we supply you with stainless steel tensioning rods and chrome moly rod ends and alt. adapter.

Part #20135 Bracket fits Chevy Big Block Short Water Pump Engine Requires GM alternator with 6 & 12 o'clock mounting position \$187.32



"Low Mount" Alternator Bracket

Performance Series 6061-T6 Powdercoated billet aluminum brackets are precision CNC machined for perfect fit and alignment. To get belt tension perfect we supply you with high strength stainless steel tensioning rods, chrome moly rod ends and an alternator bracket.

Part #20315 Fits short water pump Big Block Chevys..... \$156.57

(Requires alternator with 6&12 o'clock mounting position)

NOTE: See Kits if you want to run serpentine belts

Alternator & Power Steering Brackets

Serpentine and V-Belt, Long Water Pump

**CHEVY
BIG BLOCK**

LONG WATER PUMP



"Mid Mount" Alternator Bracket

Chevy Big block Alternator bracket fits serpentine and V-belt applications. Comes complete with tensioning rod with chrome moly rod ends for perfect belt tension and all grade 8 mounting hardware. Powder coated to eliminate polishing.

Part #20127 Ultra Big Block fits long water pump Chevys. Requires GM alternator with 6 & 12 o'clock mounting position For 9.8" deck block only \$113.51

Rear Support Bracket Ideal for 572ci

Part # 20123 Allows use of #20127 with head deck heights taller than 9.8", 572ci, or misaligned or damaged alternator support threads. includes hardware. \$89.25



Part #20123



Part#20151

"Mid Mount" Power Steering Bracket

Exceptionally styled Chevy Big Block power steering bracket fits serpentine and V-belt applications. Comes complete with all grade 8 mounting hardware. Powder coated to eliminate polishing.

Part #20151 Ultra Big Block fits long water pump Chevys. Requires 1966-78 Canister Style P/S pump,..... \$136.22
Cannot use 2 groove P/S pulley

Allows Higher mounting of power steering pump to clear steering gear box. Shown with optional Billet P/S Pump Case

"High Performance" Alternator Brackets

Our Performance Series 6061-T6 Powdercoated billet aluminum brackets are precision CNC machined for perfect fit and alignment. To get belt tension perfect we supply you with high strength stainless steel tensioning rods and chrome moly rod ends.

Part #20125 Chevy Big Block long water pump engine. Requires GM alternator with 6 & 12 o'clock mounting position For 9.8" deck block only \$106.87

Rear Support Bracket Ideal for 572ci

Part # 20128-09 Allows use of #20125 with deck heights taller than 9.8", 572ci, or misaligned or damaged alternator support threads. Includes hardware. \$68.08



Part #20128-09



Part #20125



Part #20150

Power Steering Brackets

March Performance's Front Mount power steering bracket eliminates the need or the search for all the wrap-around and header mounting brackets required for belt tensioning.

Part #20150 Big Block Long water pump engines, Kit includes upper and lower brackets. Fits 1966-1978 Canister Style power steering pumps \$122.82

Cannot use 2 groove V-belt power steering pulley

NOTE: Does not work with Chevelle, Monte Carlo, El Camino. 1970 and newer Camaro. See bracket # 20151

**CLEAR
Powder Coated
NO Polishing Required**

For Black Powder Coating, Add "-08" to kit number..... "12345-08"

Matching Alternator, Water Pumps, Power Steering Pumps, A/C Compressors, Etc..... See Pages 71-76

Electric Water Pump Bracket Kits

For Meziere, CSR and Proform Pumps

Solves the problem of how to mount accessories to engines with the popular electric water pumps.

These ULTRA brackets feature show quality styling and March's own non-polishing clear powder coat, Pulleys are CNC machined from solid billet 6061-T6 aluminum. This translates into a spectacular looking new machine finish with perfect fit and extra high strength. Complete with stainless steel tensioning rod and chrome moly rod ends.

Application: Kits for Meziere, CSI/CSR, and Proform electric water pumps. Does not work with Aerospace Components water pump. For 9.8" deck height blocks. Some high volume pumps may interfere with alt bracket. Power steering kits will not work with gen 6 timing cover.

Kits Include: ● Crank Pulley ● Alternator bracket ● Alternator pulley ● Alternator fan and cover ● Tensioning relocation arm ● Stainless tensioning rod and rod ends. ● Power steering kit includes bracket and pulley. ● All grade 8 mounting hardware and bolts

Optional: ● #360 Power Steering Nose Cover (shown) ● #P900 Big Block Meziere Electric Water Pump (clear anodized) ● #P908 Meziere Electric Water Pump radiator hose adapter

Ultra Style

BigBlock

**CHEVY
BIG BLOCK**



**CLEAR
Powder Coated
NO Polishing Required**

Electric Water Pump Serpentine Kits

Kit # Drives	Alt.	W/P	A/C	Power Steering	Belt Size	Price
23005	YES			39"		\$380.36
23006	YES	YES		39"	39.5"	\$704.00
23007	YES		YES	39"	39.5"	\$704.00
Type of Accessories	GM 6-12 o'clock mounting 7" diameter Alt.	1966-74 keyway Canister Style pump	1975-78 press fit Canister Style pump	Dayco 6 rib	Dayco 5 rib	

For Black Powder Coating, Add "-08" to kit number..... "12345-08"

Bracket Kits Only

As Above but with out accessories and pulleys. Complete with brackets, adapters and stainless steel tensioning rods with chrome moly rod ends

Adapter Brackets Included

Part #23003 Big Block Alternator Bracket:

Kit Requires GM alternato with 6 & 12 o'clock mounting position For 9.8" deck block only\$181.59

Part #23004 Big Block Power Steering Bracket:

Requires 1966-78 Canister Style pump. Cannot use 2 groove P/S pulley. Will not work with Gen 6 timing cover.....\$204.30



Part#23003

Style Track and Revolver Electric Water Pump Bracket Kits

Alternator, Air Conditioning and Optional Power Steering

Once Piece Design Revolver or Style Track for Driving Accessories on Chevy Big Blocks with Electric Water Pumps.

This rigid one-piece bracket is the perfect solution. It's easy to install and incorporates two idlers to ensure perfect "no-slip" belt wrap. Like our other Revolver kits it makes use of a unique easy to use belt tension adjustment tool.

Application: Chevy Small and Big Blocks. Will work with tall decks

Kit Includes: ● 140 amp March Billet alternator, (#23100) ● 105 amp chrome alternator, (kit #23105) ● Alternator pulley with fan and nose cover ● Alternator / Power Steering Bracket ● March Billet Canister Style power steering pump (#23100) ● Chrome Canister Style power steering pump (#23105) ● Meziere Electric Water Pump and radiator adaptor ● Two Idlers ● Crank pulley ● Power Steering Pulley with nose cover ● All mounting hardware

Style TRACK

"Style Track" with A/C



Revolver



Shown with Billet Alternator and Power Steering

Chevy Big Block

Kit # Drives	Alt.	W/P	A/C	Power Steering	Remote Power Steering	Price
23100 with Billet Alt. & P/S	Yes	Yes		Yes	66"	\$2,304.75
23105 with Chrome Alt. & P/S	Yes	Yes		Yes	66"	\$1,995.00
23110	Yes	Yes	Yes		CALL	\$2,005.50
23115	Yes	Yes	Yes		Yes 70.5"	\$2,321.55
Type of Accessories	105 Amp Chrome Alternator or March Billet Alternator	Meziere Electric Water Pump	Sanden 7176 Compressor	Chrome or Billet Canister Style Pump	Type 2 Remote Pump	Dayco 6 Rib

**CLEAR
Powder Coated
NO Polishing Required**

Matching Alternator, Water Pumps, Power Steering Pumps, A/C Compressors, Etc..... See Pages 71-76



If You Need Help Choosing Parts Let Our Experienced Technical Staff Help 1-888-729-9070 www.marchperf.com

"Ultra Drive" Serpentine Kit

SHORT WATER PUMP

**CHEVY
BIG BLOCK**

"Front Mount" Compact Design
Alternator, Air Conditioning and Power Steering

The Ultimate Show Kit

Shown With Optional
Style Track Air
Cleaner

This system has been designed for mounting accessories below the valve covers and in between the width of the heads. Precision CNC machined from 6061-T6 aluminum for strength and perfect fit. Hardcoated on high wear areas.

Application: Kit is designed to fit Ram Jet, Tuneports, Single and multi carb engines. Will not fit pre 1982 corvettes without modification to chassis

Kit 1. Ultra: As pictured

Includes: • Chrome Sanden A/C compressor • 140 Amp Alternator, Tuff Stuff • Edelbrock Aluminum reverse rotation water pump • Tuff Stuff Type 2 power steering pump • Dayco Spring Loaded tensioner with Housing Cover • A/C bracket & nose cover • Alternator bracket • Billet P/S bracket and housing cover • Crank pulley • Hard Coated Water pump pulley with fairing and nose cover • Alternator pulley with machined fan and nose cover • Billet Power steering & Tensioner Pulley Nose Covers • Wing Cross emblem • A/C line fittings • Grade 8 mounting hardware

Kit 2. Deluxe: Ideal for cars with minimal engine to radiator clearance, see dimensional diagrams. **Includes:** All above mentioned parts, **minus**-- A/C nose cover - Alternator pulley nose cover - Water pump pulley nose cover - Tensioner pulley nose cover - Power Steering pulley nose cover

Kit 3. Custom: A low cost system that gives up nothing in performance. Uses non-polished A/C compressor, and alternator. **Includes:** All above Deluxe Kit parts, **minus** - All nose covers - Power steering housing cover

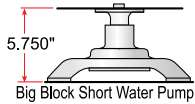
Upgrades for Deluxe or Custom Kits: • #392 A/C nose cover • #222 Alternator fan • #332 Water pump nose cover • #307 Alternator cover • #20357-B Power steering housing cover • #780 Tensioner pulley nose cover • #302 Power steering pulley cover

Optional for all Kits: • #450 Billet Aluminum remote power steering reservoir, (See Page 73) • Stainless braided power steering line kits • P628 Polished stainless fastener kits



Available In
CHROME!

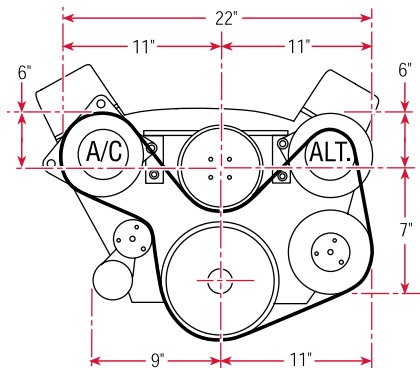
Shown in Chrome



**CLEAR
Powder Coated**
NO Polishing Required



Complete Quality Components



High Water Flow A/C Kits (Increases Cooling)

Kit # + Type	Alt.	W/P	A/C	Power Steering	Belt Size	Price
20350 Ultra	Yes	YES	YES		62.3"	\$2,343.83
20360 Ultra	Yes	YES	YES	YES	64"	\$2,639.08
20370 Deluxe	Yes	YES	YES		62.3"	\$2,112.43
20380 Deluxe	Yes	YES	YES	YES	64"	\$2,408.07
20375 Custom	Yes	YES	YES		62.3"	\$1,881.42
20385 Custom	Yes	YES	YES	YES	64"	\$2,177.05

Type of Accessories	140 Amp Chrome Alternator	Short reverse rotation Edelbrock water pump	Sanden 7176 Compressor	Type 2 Remote Pump	Dayco 6 Rib
---------------------	---------------------------	---	------------------------	--------------------	-------------

For Chrome add "-06" to kit number..... "12345-06" • For Black Powder Coating, Add "-08"

Forward Dimensions Balancer face to front of...	Crank pulley.....3.500"	A/C unit.....4.000"	Alt. w/nose cover.....4.100"
	Water pump pulley.....3.700"	A/C w/nose cover.....4.750"	Power Steering.....3.750"
	Water pump w/nose cover.....4.400"	Alt. pulley.....3.550"	

Matching Alternator, Water Pumps, Power Steering Pumps, A/C Compressors, Etc..... See Pages 71-76

"Style Track" Serpentine Kit

Alternator, A/C & Optional Power Steering or Alternator & Power Steering Only

March Performance All Billet Aluminum Style Track serpentine system is created with a combination of style and low price that is sure to find favor among car enthusiasts everywhere. The highly styled one piece alternator and air conditioning bracket provides a rigid support for the alternator and A/C compressor; a separate bracket allows the option of power steering or no power steering. Best of all, March's Style Track bracket kit cost less than other similar units on the market.

The Style Track makes use a unique easy to use belt tension adjustment tool. Once the belt tension has been set, the adjustment tool is easily removed and stowed away until the next time the belt requires adjustment. As a result, the Style Track displays a much cleaner appearance.

Application: Chevy Big Block with Short Water Pump.

NOTE: Chevelles, Monte Carlos, El Caminos and 1970 and newer Camaros & S10s will require remote power steering kits.

Kit Includes: • 105 Amp Chrome Alternator • Alternator pulley with fan and nose cover • Matching Sanden Chrome A/C compressor • Edelbrock Aluminum Water pump and Hardcoated pulley • Alternator and A/C Brackets • Crank pulley (Larger Dia for better accessory drive) • Belt Tensioning Tool • All mounting hardware

Kits with power steering include: • GM Type 2 power steering pump (Kit #21250, does not include hoses or reservoir) • Canister Style power steering pump (Kit #21255, does not include hoses) • Power steering pulley with nose cover • Bracket with mounting hardware.

Optional: • #450 Billet Aluminum remote power steering reservoir, (See Page 73) • Stainless braided power steering line kits • #418-06 Chrome A/C Manifold • 140 amp or 320 amp alternator • Polished Stainless Steel Fasteners #P627 (kits 21200, 21250, 21255) #P626 (kits 21240, 21245)

Shown with
Optional
418-06 A/C
Manifold



SHORT WATER PUMP

**CHEVY
BIG BLOCK**



Shown in
Chrome



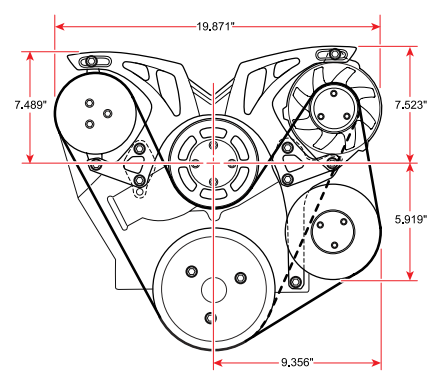
Save Money on Power
Steering Hoses and
Reservoir with this Can-
ister Style Pump Option



Shown With Optional
Style Track Air Cleaner
See Accessories Page 75-76

Our larger diameter
crank pulley aids in
driving your
alternator, A/C, and
water pump at idle
where it counts.


Complete Quality Components




Chevy Big Block							
Kit #	Alt.	W/P	A/C	Remote P/S	Canister Style P/S	Belt Size	Price
21200	Yes	Yes	Yes			65"	\$1,648.24
21250	Yes	Yes	Yes	Yes		67.5"	\$1,978.99
21255	Yes	Yes	Yes		Yes	69"	\$2,083.99
21240	Yes (Chrome)	Yes			Yes (Chrome)	64"	\$1,748.25
21245	Yes (Billet)	Yes			Yes (Billet)	64"	\$1,974.00
Type of Accessories	105 Amp Chrome Alt.	Short W/P Reverse rotation	Sanden 7176 Compressor	Type 2 Remote Pump	Canister Style pump	Dayco 6 rib	

For Chrome add "-06" to kit number..... "12345-06" • For "Black Onyx" Powder Coating, Add "-07" • For Black Powder Coating, Add "-08"


Optional Accessories for this Kit. See Accessory pages for more info



#418-06
Chrome A/C
Manifold



P626 or P627
Polished
Stainless Steel
Fasteners



#450
Remote P/S
Reservoir

Matching Alternator, Water Pumps, Power Steering Pumps, A/C Compressors, Etc..... See Pages 71-76

"Revolver" Serpentine Kit

Alternator, A/C & Optional Power Steering
or Alternator & Power Steering Only

**CHEVY
BIG BLOCK**

SHORT WATER PUMP

Revolver

Hitting the Mark with High Style & Low Cost

Same combination of style and low price as our our popular Style Track alternator, A/C and power steering kit, but with Revolver Styling.

Highly styled one piece alternator and air conditioning bracket provides a rigid support for the alternator and A/C compressor; a separate bracket allows the option of power steering or no power steering. Best of all, March's Revolver bracket kit cost. This kit makes use a unique easy to use belt tension adjustment tool. Once the belt tension has been set, the adjustment tool is easily removed and stowed away until the next time the belt requires adjustment. As a result, the Style Track displays a much cleaner appearance.

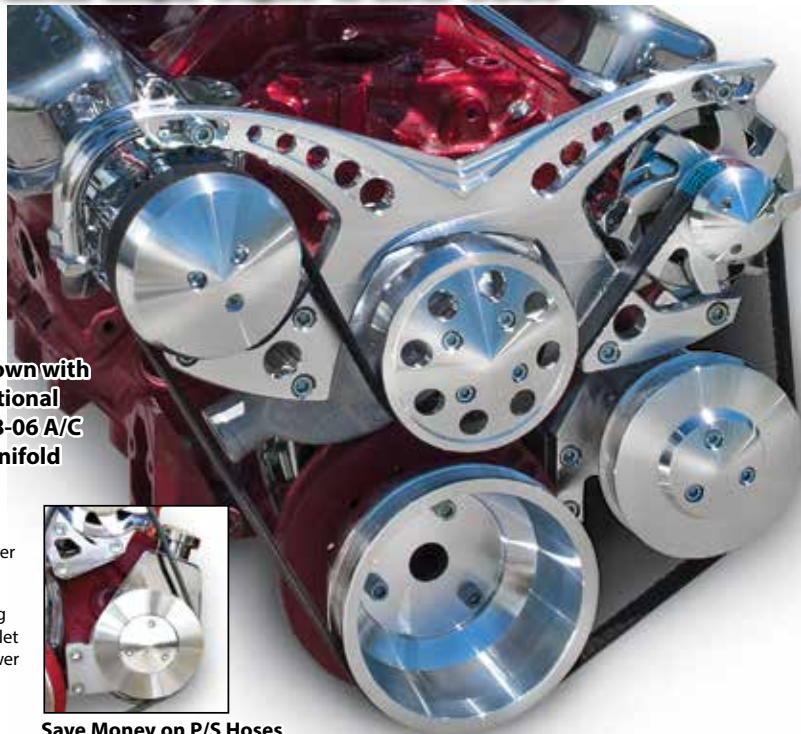
Application: Chevy Big Block with Short Water Pump.
NOTE: Chevelle, Monte Carlo, El Camino ,1970 and newer camaro and S10 will require remote power steering kits

Kit Includes: • 105 Amp Chrome Alternator, • Billet Alternator, (Kit #21285) • Alternator pulley with fan and nose cover • Matching Sanden Chrome A/C compressor • Aluminum Water pump and Hardcoated pulley • Alternator & A/C bracket or Alternator & Power Steering Bracket • Crank pulley (Larger Dia for better accessory drive) • Belt Tensioning Tool • All mounting hardware

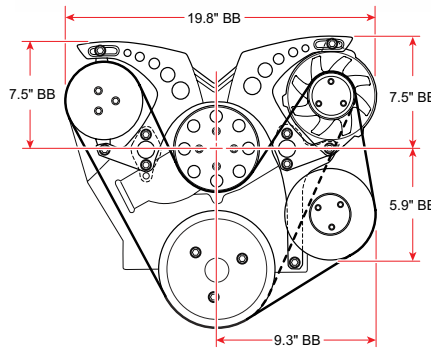
Kits with power steering include: • GM Type 2 power steering pump (Kit #21260, does not include hoses or reservoir) • Chrome or Billet Canister Style power steering pump (Kit #21265 #21285 #21290) • Power steering pulley with nose cover • Bracket with mounting hardware.

Optional: • #450 Billet Aluminum remote power steering reservoir, (See Page 73) • Stainless braided power steering line kits • 140 amp or 320 amp Alternator • Polished stainless steel fasteners Kits P626 (21285, 21290) or P627 (21210, 21260, 21265)

Shown with
Optional
418-06 A/C
Manifold



Save Money on P/S Hoses
& Reservoir with this
Canister Style Pump Option



Alternator & P/S
Only Kit #21285 with
Billet Accessories



**CLEAR
Powder Coated**
NO Polishing Required

Available In
CHROME!



Complete Quality Components

Chevy Big Block

Kit #	Alt.	W/P	A/C	Remote P/S	Canister Style P/S	Belt Size	Price
21210	Yes	Yes	Yes			65"	\$1,648.24
21260	Yes	Yes	Yes	Yes		67.5"	\$1,978.99
21265	Yes	Yes	Yes		Yes	69"	\$2,083.99
21285	Yes Billet	Yes			Yes Billet	64"	\$1,974.00
21290	Yes Chrome	Yes			Yes Chrome	64"	\$1,748.25

Type of Accessories	140 Amp Billet Alternator or 105 Amp Chrome Alternator	Short W/P Reverse rotation	Sanden 7176 Compressor	Type 2 Remote Pump	Chrome Canister Style pump or March Billet Canister Style Pump	Dayco 6 Rib
---------------------	--	----------------------------	------------------------	--------------------	--	-------------

For Chrome add "-06" to kit number..... "12345-06" • For "Black Onyx" Powder Coating, Add "-07" • For Black Powder Coating, Add "-08"

Optional Accessories for this Kit. See Accessory pages for more info



#418-06
Chrome A/C
Manifold



P626 or P627
Polished
stainless
fasteners



#450
Remote P/S
Reservoir

Matching Alternator, Water Pumps, Power Steering Pumps, A/C Compressors, Etc..... See Pages 71-76

"Pro-Track" & "Pro-Track II" Serpentine Kit

One Piece Alternator, Air Conditioning and Optional Power Steering

**CHEVY
BIG BLOCK**

Pro-Track

**Light weight, Extra Strength,
Race Proven, 1" Thick Bracket**

SHORT WATER PUMP

For the Performance oriented engine builder March Performance's new All Billet Aluminum Pro-Track serpentine system is just the ticket. This 1" thick one-piece alternator and air conditioning bracket is not only strong, but light.

A separate bracket allows the option of remote or canister style power steering or no power steering. Pro-Track makes use of a unique easy to use belt tension adjustment tool. Once the belt tension has been set, the adjustment tool is easily removed and stowed away until the next time the belt requires adjustment. For the ultimate in convenience an optional spring loaded tensioner is available.

Application: Chevy Big Blocks with Short Water Pump..

NOTE: No cylinder head accessory holes needed for mounting. Chevelle, Monte Carlo, El Camino ,1970 and newer camaro and S10 will require remote power steering kits

Kit Includes: • 105 Amp Chrome Alternator, • Alternator pulley with fan and nose cover • Matching Chrome Sanden A/C compressor • Aluminum Water pump and Hardcoated pulley • Pro-Track Alternator/A/C Bracket • Crank pulley • Belt Tensioning Tool

Kits with power steering include: • GM Type 2 power steering pump (does not include hoses or reservoir) • Or Saginaw Canister style Pump • Power steering pulley with nose cover • Bracket with mounting hardware.

Optional: • #450 Billet Remote Power Steering Reservoir • Stainless Braided Power Steering Hose Kits • 418-06 Chrome A/C Manifold • 140 amp or 320 amp Alternator • P627 Polished Stainless Fastener Kit

Shown in Chrome with Optional 418-06 A/C manifold

Available in **CHROME!**



Shown in **BLACK ONYX Powder Coat**

Up to **\$700⁰⁰ Less** Than Our Competitors Similar Kits



Complete Quality Components

Pro-Track

Kit #	Alt.	W/P	A/C	Remote P/ S	Canister Style P/ S	Belt Size	Price
21215	Yes	Yes	Yes			59"	\$1,858.24
21220	Yes	Yes	Yes	Yes		62"	\$2,188.99
21225	Yes	Yes	Yes		Yes	64"	\$2,293.99
Type of Accessories	105 Amp Chrome Alt.	Short W/P Reverse rotation	Sanden 7176 Compressor	Type 2 Remote Pump	Keyed Canister Style Pump	Dayco 6 Rib	

For Chrome add "-06" to kit number..... "12345-06" • For "Black Onyx" Powder Coating, Add "-07" • For Black Powder Coating, Add "-08"

Styling that blends well with other accessories

Like our Pro-Track but with a different Style choice.

Application: Chevy Big Blocks with Short Water Pump..

NOTE: No cylinder head accessory holes needed for mounting. Chevelle, Monte Carlo, El Camino ,1970 and newer camaro and S10 will require remote power steering kits

Kit Includes: • 105 Amp Chrome Alternator • Alternator pulley with fan and nose cover • Matching Chrome Sanden A/C compressor • Aluminum Water pump and Hardcoated pulley • Pro-Track II Alternator/A/C Bracket • Crank pulley • Belt Tensioning Tool • All mounting hardware

Kits with power steering include: • GM Type 2 power steering pump (does not include hoses or reservoir) • Power steering pulley with nose cover • Bracket with mounting hardware.

Optional: • #450 Billet Remote Power Steering Reservoir • Stainless Braided Power Steering Hose Kits • 140 amp or 320 amp alternator • 418-06 Chrome A/C Manifold

Shown in **BLACK ONYX Powder Coat**

Pro-Track II



Pro-Track II

Kit #	Alt.	W/P	A/C	Remote P/ S	Canister Style P/ S	Belt Size	Price
21218	Yes	Yes	Yes			65"	\$1,648.24
21221	Yes	Yes	Yes	Yes		68"	\$1,978.99
21226	Yes	Yes	Yes		Yes	68"	\$2,083.99
Type of Accessories	105 Amp Chrome Alt.	Short Water Pump	Sanden 7176 Compressor	Type 2 Remote Pump	Saginaw pump with canister	Dayco 6 Rib	

For Chrome add "-06" to kit number..... "12345-06" • For "Black Onyx" Powder Coating, Add "-07" • For Black Powder Coating, Add "-08"

Optional Accessories for this Kit. See Accessory pages for more info



#418-06 Chrome A/C Manifold



#450 Remote P/S Reservoir



Save Money on Power Steering Hoses and Reservoir with this Canister Style Pump Option

Matching Alternator, Water Pumps, Power Steering Pumps, A/C Compressors, Etc..... See Pages 71-76



If You Need Help Choosing Parts Let Our Experienced Technical Staff Help 1-888-729-9070 www.marchperf.com

"Style Track Street Rod" Serpentine Kit

Alternator, A/C & Optional Power Steering

SHORT WATER PUMP

CHEVY
BIG BLOCK

Designed specifically for applications where the amount of forward clearance is an issue.

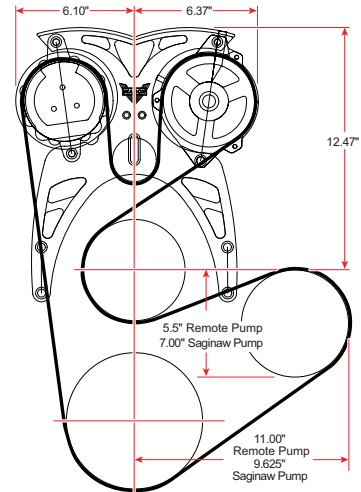
Mounts the components above the intake allowing them to mount further back gaining the critical forward clearance needed in most pre 1940's applications. Kit utilizes the top manufactured components. A 105amp chrome CS-130 case alternator and two options for power steering pumps, and effective belt routing eliminate belt slip and misalignment.

Application: Chevy Big Block

Kit Includes: • 105 Amp Alternator, Chrome • Alternator pulley with fan and nose cover • Chrome Sanden A/C Compressor • Water pump and Hardcoated pulley • Alternator / A/C Bracket • Crank pulley • All mounting hardware

Kits with power steering include • GM Type 2 power steering pump Kit #23250 (does not include hoses or reservoir) • Saginaw Canister steering pump Kit #23255 • Power steering pulley with nose cover • Bracket with mounting hardware.

Optional: • 140 amp or 320 amp Alternator • #450 Billet Remote Power Steering Reservoir • Stainless Braided Power Steering Hose Kits • 418-06 Chrome A/C Line Adapter.



Complete Quality Components



Style
TRACK
Street Rod

Chevy Big Block						
Kit # Drives	Alt.	W/P	A/C	Remote P/S	Canister Style P/S	Price
23210	Yes	Yes	Yes		69"	\$1,648.24
23250	Yes	Yes	Yes	Yes	89"	\$1,978.99
23255	Yes	Yes	Yes		92.5"	\$2,083.99
Type of Accessories	105 Amp Chrome Alt.	Short Water Pump	Sanden 7176 Compressor	Type 2 Remote Pump	Saginaw pump with canister	Dayco 6 Rib

For Chrome add "-06" to kit number..... "12345-06" • For "Black Onyx" Powder Coating, Add "-07" • For Black Powder Coating, Add "-08"

Early Model Corvette Serpentine Kit

Alternator, A/C & Optional Power Steering or Alternator & Power Steering Only

Early Model Corvette

New Big Block Style Track and Revolver serpentine systems are designed with a unique two belt systems that allows the crank pulley to sit back and clear the front frame cross member on early model Corvettes

These kits makes use of a unique easy to use belt tension adjustment tool for the alternator and A/C. A separate easy to use rod end at the power steering pump allows accurate adjustment of the crank, power steering and water pump belt. Two idlers ensure perfect "no-slip" belt wrap.

Application: Chevy Big Block in 1963 - 1967 C2 Corvettes and 1968 - 1982 C3 Corvettes.

Kit Includes: • 105 Amp Chrome Alternator • Alt. Pulley with fan and nose cover • Matching Chrome A/C compressor • A/C Compressor nose cover • Water pump and pulley with nose cover • Alt/A/C Bracket • Crank pulley • Idlers • GM Type 2 power steering pump (does not include hoses or reservoir) • Power steering pulley with nose cover • Power steering Bracket with adjustment rod and mounting hardware. • Belt Tensioning Tool • All mounting hardware

Optional: • #450 Billet Aluminum remote power steering reservoir, (See Page 73) • Stainless braided power steering line kits • 418-06 Chrome A/C Manifold • 140 amp or 320 amp Alternator • Polished Stainless Steel Fasteners #P630 (kits 21270) #P629 (kits 21230, 21235, 21275, 21280)

CORVETTE
BIG BLOCK



Style
TRACK

Crank Pulley
Clears Corvette
Frame

Chevy BigBlock		Style Track					Price
Kit # Drives	Alt.	W/P	A/C	Remote P/S	Canister Style P/S	Belt Size	Price
21270	Yes	Yes	Yes	Yes		P/S 43.3" Alt & A/C 53"	\$2,572.50
21230	Yes (Chrome)	Yes			Yes (Chrome)	Idler 38", alt. and a/c 53"	\$2,361.45
21235	Yes (Billet)	Yes			Yes (Billet)	Idler 38" Alt & A/C 53"	\$2,667.00
Chevy BigBlock		Revolver					Price
21275	Yes (Chrome)	Yes			Yes (Chrome)	Idler 38" Alt & A/C 53"	\$2,361.45
21280	Yes (Billet)	Yes			Yes (Billet)	Idler 38" Alt & A/C 53"	\$2,667.00
Type of Accessories	105 Amp Chrome Alt.	Short W/P Reverse rotation	Sanden 7176 Compressor	Type 2 Remote Pump	Keyed Canister Style Pump	Dayco 6 Rib	

For Chrome add "-06" to kit number..... "12345-06" • For "Black Onyx" Powder Coating, Add "-07" • For Black Powder Coating, Add "-08"



Matching Alternator, Water Pumps, Power Steering Pumps, A/C Compressors, Etc..... See Pages 71-76

"Sport-Track" All Inclusive Serpentine Kits

**CHEVY
BIG BLOCK**

Alternator, Air Conditioning and Power Steering

SHORT WATER PUMP



**March Quality and Innovation
for the Budget Engine Builder**

Designed for the budget minded builder with the same March Performance quality and innovation as our Style Track kits. Complete with pulleys and a strong compact one piece combination alternator and a/c bracket, manufactured from 6061-T6 billet aluminum but with a more economical finish.

Top brand name accessories such as Sanden and Tuff Stuff. No Slip operation. Replaces your low performance V-belts, pulleys. Simple to bolt on! Eliminates belt throwing. Larger crank pulley aids in driving your alternator, A/C and water pump for better cooling and improved charging during low speed driving.

All accessories including Alternator, A/C compressor, power steering unit, water pump, pulleys, brackets and all mounting hardware. Available in a black or silver face plate

Application: Chevy Big Blocks with Short Water Pump..

NOTE: No cylinder head accessory holes needed for mounting. Chevelle, Monte Carlo, El Camino, 1970 and newer camaro and S10 will require remote power steering kits

Kits Includes: ● 105 Amp Alternator ● Alternator pulley with alternator fan ● Sanden Air Conditioner ● Alternator & A/C Bracket ● Water Pump & Pulley ● Crank Pulley ● Power Steering Kits includes Pump, Brackets and Pulley ● Mounting Hardware.



Optional Accessories for this Kit. See Accessory pages for more info



**BLACK
Powder Coating**

Kit # Drives	Alt.	W/P	A/C	Remote P/S	Canister P/S	Belt Size	Price
23650-08 (Black)	Yes	Yes	Yes	-	-	68"	\$1,401.75
23650-09 (Silver)	Yes	Yes	Yes	-	-	68"	\$1,401.75
23655-08 (Black)	Yes	Yes	Yes	Yes	-	68.5"	\$1,669.50
23655-09 (Silver)	Yes	Yes	Yes	Yes	-	68.5"	\$1,669.50
23660-08 (Black)	Yes	Yes	Yes	-	Yes	68"	\$1,779.75
23660-09 (Silver)	Yes	Yes	Yes	-	Yes	68"	\$1,779.75
Type of Accessories	105 Amp Alternator.	Short W/P Reverse rotation	Sanden 7176 Compressor	Type 2 Remote Pump	Saginaw pump with canister.	Dayco 6 Rib	

"Sport-Track" Mid Mount A/C Serpentine Kit



**BLACK
Powder Coating**



Complete Quality Components



LONG WATER PUMP

Kit # Drives	Alt.	W/P	A/C	Canister P/S	Belt Size	Price
23685-08 (Black)	Yes	Yes	Yes	-	-	\$1,181.25
23685-09 (Silver)	Yes	Yes	Yes	-	-	\$1,181.25
23690-08 (Black)	Yes	Yes	Yes	Yes	Alt. + A/C belt 62.5" p/s belt 42.5"	\$1,363.95
23690-09 (Silver)	Yes	Yes	Yes	Yes	Alt. + A/C belt 62.5" p/s belt 42.5"	\$1,363.95
23695-08 (Black)	Yes	Yes	-	Yes	Alt 41.5", P/S 39.5"	\$874.65
23695-09 (Silver)	Yes	Yes	-	Yes	Alt 41.5", P/S 39.5"	\$874.65
Type of Accessories	105 Amp Alternator.	Short W/P Standard rotation	Sanden 7176 Compressor	Saginaw pump with canister.	Dayco 6 Rib	

Shown with Optional Billet Covers Page 71

Mounts the A/C low and on the passenger side for a compact and clean appearance

Matching Alternator, Water Pumps, Power Steering Pumps, A/C Compressors, Etc..... See Pages 71-76



If You Need Help Choosing Parts Let Our Experienced Technical Staff Help 1-888-729-9070 www.marchperf.com

"Ultra" Serpentine Conversion

Mid Mount Passenger Side Air Conditioning & Alternator With Optional Power Steering Long Water Pump

Ultra Style Kit

Ingeniously designed mid mount serpentine kit incorporates a combination bracket that provides a compact and strong mounting for the alternator and air conditioner. The addition of an idler provides excellent belt wrap around the alternator and A/C compressor pulleys for "No Slip" operation. Replaces your low performance V-belts, pulleys and brackets while retaining your standard rotation water pump. Simple to bolt on! Eliminates belt throwing. CNC machined from solid billet 6061-T6 aluminum. This translates into a spectacular looking new machine finish with perfect fit and extra high strength. Kits comes complete with stainless steel tensioning rod, chrome moly rod ends and necessary grade 8 mounting hardware.

Application: These kits fit most mid and full size cars from the early 1950's and newer. Other cars check water pump nose to radiator clearance. Long water pumps extend out 8.5" from the engine block, plus clearance for mechanical or electric fans. For 9.8" deck height block

Will Not fit 572 motors, See our Style Track Kit.

NOTE: Chevelle, Monte Carlo, El Camina. 1970 and newer Camaro require remote power steering kit.

Ultra Kits Includes: • Alternator/Air Conditioner brackets and idler • A/C nose cover • Crank pulley • Water pump pulley with nose cover • Alternator pulley with alternator fan and nose cover • Power steering kit includes power steering brackets and pulley • Grade 8 mounting hardware

Optional: • #360 Power Steering Nose Cover (Page 74) • 417 A/C Manifold • Stainless braided power steering line kits

**CHEVY
BIG BLOCK**

LONG WATER PUMP



**Compact
Passenger Side
A/C Bracket**

Passenger Side Mount A/C Kits

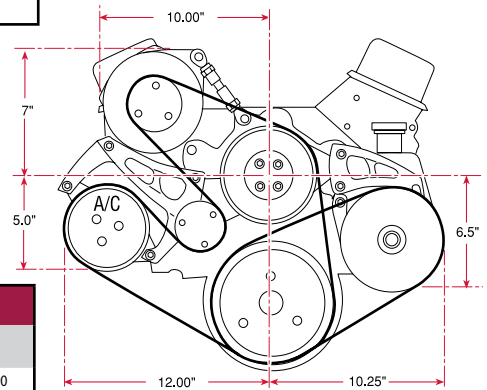
Kit #Drives	Alt.	A/C	W/P	Canister Style Keyway P/S Pump	Canister Style Press Fit P/S Pump	Remote Reservoir Pump	Alt. A/C Belt Size	P/S Belt Size	Price
23045	YES	YES	YES				62"		\$715.35
23072	YES	YES	YES	YES			62"	39"	\$908.41
23082	YES	YES	YES		YES		62"	39"	\$908.41
23092	YES	YES	YES			YES	62"	40"	\$908.41
Type of Accessories	GM 6-12 o'clock mounting 6" or 7" diameter Alt.	Sanden 1716 or March P411 compressor	Long W/P standard rotation	1966-74 key-way Canister Style pump	1975-78 press fit Canister Style pump	1987 Sunbird remote reservoir pump	Dayco 6 rib	Dayco 6 rib	

For Black Powder Coating, Add "-08" to kit number..... "12345-08"



Complete Quality Components

All Inclusive Kits
Pulleys, Brackets and Accessories Included!
Tuff Stuff or March Performance own Billet Accessories



Chrome Accessories Kits

Kit #Drives	Alt.	A/C	W/P	P/S Pump	Alt. Belt Size	P/S 5 Rib Belt Size	Price
CA23072	YES	YES	YES	YES	62"	39"	\$1,782.90
Type of Accessories	Tuff Stuff P555	Tuff Stuff P412	Edelbrock Aluminum P126	Tuff Stuff P304	Dayco 6 rib	Dayco 5 or 6 rib	

Billet Accessories Kits

Kit #Drives	Alt.	A/C	W/P	P/S Pump	Alt. Belt Size	P/S 5 Rib Belt Size	Price
BA23072	YES	YES	YES	YES	62"	39"	\$2,062.57
Type of Accessories	Billet 9650	Tuff Stuff P411	Edelbrock Aluminum P126	Billet 9600 + 360 Nose Cover	Dayco 6 rib	Dayco 5 or 6 rib	

For Black Powder Coating, Add "-08" to kit number..... "12345-08"

**CLEAR
Powder Coated
NO Polishing Required**

A/C Kits with P411 or P412 receive 417 Line Adapter

Matching Alternator, Water Pumps, Power Steering Pumps, A/C Compressors, Etc..... See Pages 71-76



"Ultra" Serpentine Conversion

Standard Mount Alternator, Air Conditioning and Power Steering Long Water Pump/Standard Rotation

LONG WATER PUMP

CHEVY
BIG BLOCK

Ultra Style Kit

Our performance serpentine kits replace your low performance V-belts, pulleys and brackets while retaining your standard rotation water pump. Simple to bolt on! Eliminates belt throwing. Kits are available with performance pulleys for increase horsepower (approx. 12 h.p.) or high water flow ratios for increased cooling. CNC machined from solid billet 6061-T6 aluminum. This translates into a spectacular looking new machine finish with perfect fit and extra high strength. Our kit comes complete with stainless steel tensioning rod, chrome moly rod ends and necessary grade 8 mounting hardware.

Application: These kits fit most mid and full size cars from the early 1950's and newer. Other cars check water pump nose to radiator clearance. Long water pumps extend out 8.5" from the engine block, plus clearance for mechanical or electric fans. For 9.8" deck height block

NOTE: Chevelle, Monte Carlo, El Camino. 1970 and newer Camaro require remote power steering kit. Or see Mid Mount kit.

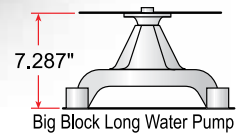
Rear Support Bracket Part # 20128-09 Allows use of kit with 572ci, deck heights taller than 9.8", or misaligned or damaged alternator support threads. includes hardware.

Kit Includes: • Crank pulley • Alternator bracket • Water pump pulley with nose cover • Alternator pulley with alternator fan and nose cover • Power steering kit includes power steering brackets and pulley • Air conditioning kit includes A/C bracket idler and A/C nose cover • Grade 8 mounting hardware

Optional: • #360 Power Steering Nose Cover (Page 74) • Stainless braided power steering line kits



Shown with Billet Alt & P/S



Performance Kits (Increases Horsepower)

Kit #Drives	Alt.	A/C	W/P	Canister Style Keyway P/S Pump	Canister Style Press Fit P/S Pump	GM Type 2 Remote Res. Pump	Alt. Belt Size	P/S Belt Size	P/S A/C Belt Size	Price
23010	YES		YES				42.5"			\$427.58
23020	YES		YES	YES			42.5"	38" 5 rib		\$616.27
23025*	YES		YES			YES	42.5"	38" 5 rib		\$612.32
23030	YES		YES		YES		42.5"	38" 5 rib		\$616.27

High Water Flow Kits (Increases Cooling)

23040	YES		YES				44.5"			\$435.94
23050	YES		YES	YES			44.5"	39" 6 rib		\$616.27
23055*	YES		YES			YES	44.5"	40" 6 rib		\$612.32
23060	YES		YES		YES		44.5"	39" 6 rib		\$616.27
23070	YES	YES	YES	YES			44.5"	59.5"		\$988.19
23080	YES	YES	YES		YES		44.5"	59.5"		\$988.19
23090*	YES	YES	YES			YES	44.5"	61"		\$984.23

Type of Accessories	GM 6-12 o'clock mounting 6" or 7" diameter Alt.	Sanden 505 or 508 serpentine A/C	Long W/P standard rotation	1966-74 keyway Canister Style pump	1975-78 press fit Canister Style pump	1987 Sunbird P/S pump	Dayco 6 rib	Dayco 5 or 6 rib	Dayco 6 rib
---------------------	---	----------------------------------	----------------------------	------------------------------------	---------------------------------------	-----------------------	-------------	------------------	-------------

For Black Powder Coating, Add "-08" to kit number..... "12345-08"



Drivers Side A/C

All Inclusive Kits

Pulleys, Brackets and Accessories Included!

Tuff Stuff or March Performance own Billet Accessories

Chrome Accessories Kits

Kit #Drives	Alt.	A/C	W/P	P/S Pump	Alt. Belt Size	P/S 5 Rib Belt Size	Price
CA23040	YES		YES		44.5"		\$785.31
CA23050	YES		YES	YES	44.5"	39"	\$1159.33
CA23070	YES	YES	YES	YES	44.5"	59.5"	\$1,868.72
Type of Accessories	Tuff Stuff P555	Tuff Stuff P413	Edelbrock Aluminum P126	Tuff Stuff P304	Dayco 6 rib	Dayco 6 rib	

Part # 20128-09

Billet Accessories Kits

Kit #Drives	Alt.	A/C	W/P	P/S Pump	Alt. Belt Size	P/S 5 Rib Belt Size	Price
BA23040	YES		YES		44.5"		\$973.31
BA23050	YES		YES	YES	44.5"	39"	\$1471.43
BA23070	YES	YES	YES	YES	44.5"	59.5"	\$2,157.03
Type of Accessories	Billet 9650	Tuff Stuff P410	Edelbrock Aluminum P126	Billet 9600 + 360 Nose Cover	Dayco 6 rib	Dayco 6 rib	

For Black Powder Coating, Add "-08" to kit number..... "12345-08"

* 70 and newer F- body, 78-87 G-body, A-body or see pg. 34 for kits w/o A/C using Canister Style power steering pump.

Matching Alternator, Water Pumps, Power Steering Pumps, A/C Compressors, Etc..... See Pages 71-76



If You Need Help Choosing Parts Let Our Experienced Technical Staff Help 1-888-729-9070 www.marchperf.com

Mid Mount Serpentine Conversion

Alternator, and Power Steering Long Water Pump
Standard Rotation

Ultra "Mid Mount"

Alternator & Power Steering Kit

Simple yet exceptionally styled this new "Mid Mount" Alternator and Power Steering serpentine kit from March Performance offers an exciting new look, these brackets are even machined on the engine facing side for a great appearance from all sides. Looks wonderful with our new billet power steering pump case (as pictured). A new higher mounted power steering pump bracket helps clear the steering gear box in some vehicles. Retains your standard rotation water pump. CNC machined from solid billet 6061-T6 aluminum for a spectacular looking machine finish with perfect fit and extra high strength. Kit comes complete with stainless steel tensioning rod, chrome moly rod ends and necessary grade 8 mounting hardware.

Application: These kits fit most mid and full size cars from the early 1950's and newer. Kit also fits Chevilles, Camaros and Nova's. Other cars check water pump nose to radiator clearance. Long water pump kit extends out 8" from the engine block with nose cover in place, plus clearance for mechanical or electric fans. For 8.5" deck height block

Rear Support Bracket Part # 20123 Allows use of kit with 572ci, deck heights taller then 9.8", or misaligned or damaged alternator support threads. includes hardware.

Ultra Kits Includes: • Crank pulley • Water pump pulley with nose cover • Alternator pulley with alternator fan and nose cover • Alternator Bracket with relocation arm and adjustment rod • Power steering kit includes power steering brackets and pulley with nose cover • Grade 8 mounting hardware



Non-A/C Kits



**CHEVY
BIG BLOCK**

LONG WATER PUMP

**CLEAR
Powder Coated**
NO Polishing Required

Big Block P/S extra high mounting to clear gear box (Camaro, Chevelle and Nova)

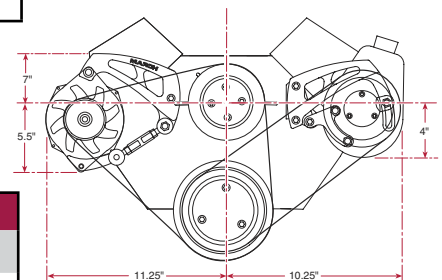
Allows Higher mounting of power steering pump to clear steering gear box. Shown with optional Billet P/S Pump Case Bracket Only Kits see Page 29



Part #20123

Rear Support Bracket Ideal for 572ci

Part # 20123 Allows use of with head deck heights taller then 9.8", 572ci, or misaligned or damaged alternator support threads. includes hardware.



Tuff Stuff or March Performance own Billet Accessories

Performance Kits (Increases Horsepower)

Kit #	Alt.	W/P	A/C	Canister Style Keyway P/S Pump	Canister Style Press Fit P/S Pump	Alt. Belt Size	P/S Belt Size	Price
23013	YES	YES				41.5"		\$434.21
23023	YES	YES		YES		41.5"	39.5"	\$681.29
23033	YES	YES			YES	41.5"	39.5"	\$681.29

High Water Flow Kits (Increases Cooling)

23043	YES	YES				42.5"		\$442.56
23053	YES	YES		YES		42.5"	39.5"	\$681.29
23063	YES	YES			YES	42.5"	39.5"	\$681.29
23073	YES	YES	YES	YES		62.5"	42.5" 6 rib	\$924.46
23083	YES	YES	YES		YES	62.5"	42.5" 6 rib	\$924.46

Type of Accessories	GM 6-12 o'clock mounting 7" diameter Alt.	Long W/P standard rotation	Sanden 7176 A/C Compressor	1966-74 keyway Canister Style pump	1975-78 press fit Canister Style pump	Dayco 6 rib	Dayco 5 or 6 rib
---------------------	---	----------------------------	----------------------------	------------------------------------	---------------------------------------	-------------	------------------

For Black Powder Coating, Add "-08" to kit number..... "12345-08"

All Inclusive Kits

Pulleys, Brackets and Accessories Included!

Chrome Accessories

Kit #Drives	Alt.	A/C	W/P	P/S Pump	Alt. Belt Size	P/S 5 Rib Belt Size	Price
CA23053	YES		YES	YES	42.5"	39.5" 5 rib	\$1,215.50
CA23073	YES	YES	YES		62.5"	42.5" 6 rib	\$1,796.93
Type of Accessories	Tuff Stuff P555	Tuff Stuff P412	Edelbrock Aluminum P126	Tuff Stuff P304	Dayco 6 rib	Dayco 5 or 6 rib	

Billet Accessories

BA23053	YES		YES	YES	42.5"	39.5" 5 rib	\$1,527.98
BA23073	YES	YES	YES		62.5"	42.5" 6 rib	\$2,076.59
Type of Accessories	Billet 9650	Tuff Stuff P411	Edelbrock Aluminum P126	Billet 9600 + 360 Nose Cover	Dayco 6 rib	Dayco 5 or 6 rib	

For Black Powder Coating, Add "-08" to kit number..... "12345-08"

Matching Alternator, Water Pumps, Power Steering Pumps, A/C Compressors, Etc..... See Pages 71-76

"Deluxe" Serpentine Conversion

**CHEVY
BIG BLOCK**

Outward Mount Alternator and Air Conditioning Optional Power Steering

This system simply bolts to the front of any big block Chevy heads. Precision CNC machined from solid billet 6061-T6 aluminum to fit perfectly and handle high torque and vibration. This bracket kit comes complete with stainless steel tensioning rods and chrome moly rod ends for high performance operation. All necessary hardware included. Powdercoated to eliminate polishing in those hard to reach places. High tensile strength means much longer wear. We go as far as hard coating the high wear areas on our pulleys! Our street rod ratio increase water flow and fan speed. This helps at critical low speed driving.

Application: Kits fit most 1955 and newer Chevys Corvettes from 1968-1982. If your Corvette has air conditioning, you will have to use short valve covers with shorter adjusting rod. Contact our technical department for more details on Corvettes.

Water pump with nose cover extends forward 6.5" from front of engine block, plus clearance for mechanical or electric fan.

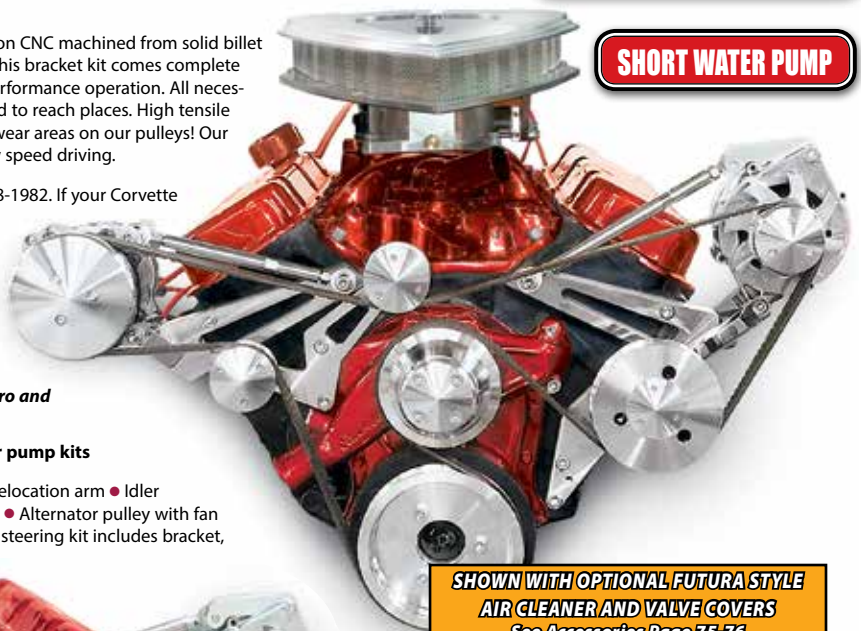
***Most applications with power steering will require remote reservoir style pump. Blower Setups...Call for different Idler arrangement**

NOTE: 64 to 82 Chevelle, Monte Carlo, El Camino. 1970 and newer Camaro and Corvette require remote power steering kit.

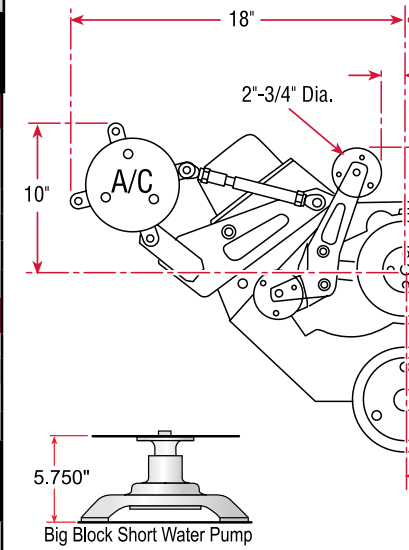
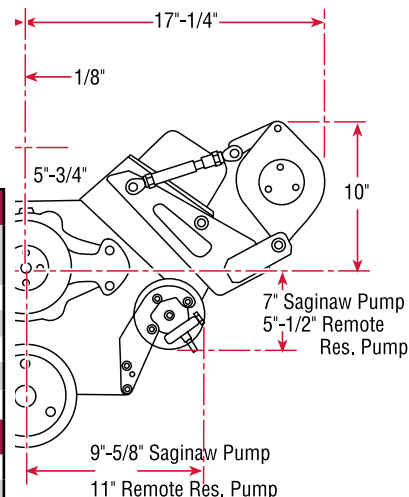
Edelbrock aluminium water pumps #8854 & #8864 use cast iron water pump kits

Kit Includes: • Tensioning rods and adjustable rod ends • Alternator relocation arm • Idler bracket with dual idlers • Crank pulley, water pump pulley and nose cover • Alternator pulley with fan and nose cover • A/C clutch cover • Grade 8 mounting hardware • Power steering kit includes bracket, and pulley

Optional: • #450 Billet Aluminum remote power steering reservoir, (See Page 73) • • Stainless braided power steering line kits



**CLEAR
Powder Coated
NO Polishing Required**



Performance Kits (Increases Horsepower)								
Kit #Drives	Alternator	W/P	Canister Style Keyway P/S Pump	Canister Style Press Fit P/S Pump	Remote Reservoir P/S Pump	Belt Size	Price	
20530	YES	YES				56"	\$536.20	
20550	YES	YES			YES	59"	\$818.64	
20590	YES	(Electric)YES				53.8"	\$526.50	
20570*	YES	YES	YES			61"	\$734.41	
20575*	YES	YES		YES		61"	\$734.41	
High Water Flow Kits (Increases Cooling)								
20540	YES	YES				59"	\$631.54	
20560	YES	YES			YES	59"	\$834.12	
20580*	YES	YES	YES			60"	\$749.60	
20585*	YES	YES		YES		60"	\$749.60	
Type of Accessories	GM 6-12 o'clock mounting 6" or 7" diameter Alt.	Short W/P standard rotation	1966-74 keyway Canister Style pump	1975-78 press fit Canister Style pump	1987 Sunbird P/S pump	Dayco 6 rib		
Kits for cast iron reverse rotation and Edelbrock #8854 & 8864 pumps								
Kit #Drives	Alt.	A/C	W/P	Canister Style Keyway P/S Pump	Canister Style Press Fit P/S Pump	Remote Reservoir P/S Pump	Belt Size	Price
20510	YES	YES	YES				100"	\$1,072.63
20511	YES	YES	YES			YES	106.5"	\$1,275.19
20512*	YES	YES	YES	YES			113"	\$1,205.10
20513*	YES	YES	YES		YES		113"	\$1,205.10
Kits for Aluminum Reverse Rotation Water Pumps								
20515	YES	YES	YES				100"	\$1,072.63
20516	YES	YES	YES			YES	106.5"	\$1,275.19
20517*	YES	YES	YES	YES			113"	\$1,205.10
20518*	YES	YES	YES		YES		113"	\$1,205.10
Type of Accessories	GM 6-12 o'clock mounting 6" or 7" diameter Alt.	Sanden 505 or 508 serpentine A/C	Short W/P reverse rotation	1966-74 keyway Canister Style pump	1975-78 press fit Canister Style pump	1987 Sunbird P/S pump	Dayco 6 rib	

* For use with 55-57 Chevys (side engine mounts only) and 1967-69 Camaro's only, Call for Varification.

Matching Alternator, Water Pumps, Power Steering Pumps, A/C Compressors, Etc..... See Pages 71-76



If You Need Help Choosing Parts Let Our Experienced Technical Staff Help 1-888-729-9070 www.marchperf.com

Chevy 409Ci Serpentine Conversion Kits

CHEVY
409 c.i.

Alternator, Air Conditioning with optional power steering or Alternator & Power Steering Only

This one piece bracket provides a rigid support for the alternator and A/C compressor; a separate bracket allows the option of power steering or no power steering. Four separate idlers guarantee the ultimate in belt to pulley contact area for sure "no slip" operation.

Includes all the mounting hardware you'll need and detailed instructions. You can also forget about polishing this assembly, as it features a maintenance-free coating in Clear, Black or optional Chrome

Application: Chevy 409ci V-8.

Kit Includes: • 105 Amp Chrome Alternator • Alternator pulley with fan and nose cover • Matching Chrome A/C Compressor • Edelbrock Water pump and pulley • Alternator/A/C Bracket • Crank pulley (Larger Dia for better accessory drive) • 4 Idlers for better belt wrap • Belt Tensioning Tool • All mounting hardware

Kits with power steering include:

• Canister Style Power Steering Pump (Kits 21385 , 21390).
Type 2 Remote Reservoir Pump • Power steering pulley with nose cover • Bracket with mounting hardware.

Optional: • 418-06 Chrome A/C Manifold
• 140amp or 320 amp Alternator • Stainless braided power steering line kits • P631 Polished stainless fastener kit (kits 21350 & 21360)



Designed Especially for the Chevy 409ci Motor



Revolver

Our larger diameter crank pulley aids in driving your alternator, A/C, and water pump at idle where it counts.

#21390 Shown with Billet Alternator and Power Steering, Chrome Available.

Chevy 409ci V-8							
Kit # Drives	Alt.	Water Pump	A/C	Canister P/S	Remote P/S	Belt Size	Price
21350	Yes	Yes	Yes			71"	\$2,109.45
21355	Yes	Yes	Yes		Yes	75.5"	\$2,529.45
21385	Yes Chrome	Yes		Yes Chrome		73"	\$1,884.75
21390	Yes Billet	Yes		Yes Billet		73"	\$2,257.50
Type of Accessories	105 Amp Chrome Alternator	Edelbrock Aluminum Water Pump	Sanden 7176 Compressor	Canister Style Pump		Dayco 6 Rib	

For Chrome add "-06" to kit number..... "12345-06" • For "Black Onyx" Powder Coating, Add "-07" • For Black Powder Coating, Add "-08"



Complete Quality Components

Chevy 409Ci V-Belt Pulleys

KIT 7905 Chevy 409ci - 51/2" Water Pump.....\$246.75

Kit Includes:
• (7901-A) 1 groove Crank 6 3/4"
• (7902-A) 1 groove Water Pump 6 1/2"
• (137-A) 1 groove Altrator 2 11/32"

KIT 7915 Chevy 409ci - 51/2" Water Pump.....\$262.50

Kit Includes:
• (7911-A) 2 groove Crank 6 3/4"
• (7912-A) 2 groove Water Pump 6 1/2"
• (137-A) 1 Groove Altrator 2 11/32"

KIT 7920 Chevy 409ci - 51/2" Water pump.....\$278.25

Kit Includes:
• (7921-A) 3 groove crank 6 3/4"
• (7912-A) 2 groove Water Pump 6 3/4"
• (137-A) 1 groove Altrator. 2 11/32"



Pontiac V-Belt Pulleys

Pontiac Big Block V-groove Pulleys 1969-up

*350 - 400, 428, 455 C.I. **Requires:** 1968 - 4 bolt newer damper • 1969 -11 bolt newer water pump 4.5" length to front of flange

Performance Ratios (Increases horsepower by reducing accessory drag. 12.5-15 h.p.)						
Set #	Crank Pulley	W/P Pulley	Alt. Pulley with Nose Cover	Price	Optional Keyway P/S Pulley	Optional Alt. Fan
13010	1V	1V	1V	\$237.66		221
13030	2V	2V	1V	\$250.54	1V #540	221
13050	3V	2V	1V	\$255.80	1V #540	221

13010 Set Drives: W/Pump, Alt.,

13011 1-Groove Crank Pulley 6 1/8"
13012 1-Groove Water Pump Pulley 6 1/8"
137 1-Groove Alternator Pulley w/Cover 2 11/16"

13030 Set Drives: W/Pump, Alt., P.S.

13031 2-Groove Crank Pulley 6 1/8"
13032 2-Groove Water Pump Pulley 6 1/8"
137 1-Groove Alternator Pulley w/Cover 2 11/16"

13050 Set Drives: W/Pump, Alt., P.S., A/C

13051 3-Groove Crank Pulley 6 1/8"
13032 2-Groove Water Pump Pulley 6 1/8"
137 1-Groove Alternator Pulley w/Cover 2 11/16"



Standard Size Crank Pulley

13041 3-groove crank pulley 8" For over driving and Fluidampr Applications \$113.46

Matching Alternator, Water Pumps, Power Steering Pumps, A/C Compressors, Etc..... See Pages 71-76

Pontiac V-8 Serpentine Conversion

PONTIAC
V-8

Alternator, Air Conditioning with optional Power Steering or Alternator & Power Steering Only

Pontiac Excitement!

for 326, 350, 389, 400, 421, 428, & 455.c.i.

Just for the Pontiac V-8. Rigid support for the alternator and A/C compressor; a separate bracket allows the option of power steering or no power steering. Three separate idlers guarantee the ultimate in belt to pulley contact area for sure "no slip" operation.

Unique easy to use belt tension adjustment tool. Once the belt tension has been set, the adjustment tool is easily removed and stowed away

Complete quality components including all the mounting hardware you'll need and detailed instructions so installation is a snap. You can also forget about polishing this assembly, as it features a maintenance-free powder coating in Clear, Black or Black Onyx.

Application: Pontiac 326, 350, 389, 400, 421, 428, and 455.c.i. V-8.

Note: Kits require 1968 - newer balancer (4 bolt balancer without v-groove). 1969 or newer 11 bolt timing cover.

Kit Includes: • 105 Amp Chrome Alternator • Alternator pulley with fan and nose cover • Sanden Chrome A/C Compressor • Edelbrock Water pump and pulley • Alternator/A/C Bracket • Crank pulley (Larger Dia for better accessory drive) • 3 Idlers for better belt wrap • Belt Tensioning Tool • All mounting hardware

Kits with power steering include • GM Type 2 power steering pump (does not include hoses or reservoir) • Chrome or Billet Canister Style Pump (Kits #13145 and #13150) • Power steering pulley with nose cover • Bracket with mounting hardware.

Optional: • #450 Billet Remote Power Steering Reservoir • Stainless Braided Power Steering Hose Kits • 140 amp or 320 amp Alternator • #418-06 Chrome A/C Manifold • P633 Polished Stainless Fasteners (kits 13130,13135,13140) • P634 Polished Stainless Fasteners (kits 13145 , 13150)

Revolver



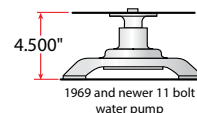
Available In
CHROME!

Our larger diameter crank pulley aids in driving your alternator, A/C, and water pump at idle where it counts.

CLEAR
Powder Coated
NO Polishing Required



#13150 Billet Alternator & Power Steering



Complete Quality Components

Style Track							
Kit # Drives	Alt.	Water Pump	A/C	Remote P/S	Canister P/S	Belt Size	Price
13130	Yes	Yes	Yes			68"	\$1,758.49
13135 (1970 and up Firebirds, requires electric fuel pump)	Yes	Yes	Yes	Yes		69.5"	\$2,089.24
13140 (67 to 69 and earlier Firebirds Only)	Yes	Yes	Yes	Yes		71"	\$2,089.24
13145	Yes Chrome	Yes			Yes Chrome	65"	\$1,748.25
13150	Yes Billet	Yes			Yes Billet	65"	\$1,974.00
Revolver							
13160	Yes	Yes	Yes			68"	\$1,758.49
13165 (1970 and up Firebirds, requires electric fuel pump)	Yes	Yes	Yes	Yes		69.5"	\$2,089.24
13170 (67 to 69 and earlier Firebirds Only)	Yes	Yes	Yes	Yes		71"	\$2,089.24
Type of Accessories	105 Amp Chrome Alternator	Edelbrock Water Pump	Sanden 7176 Compressor	Type 2 Remote Pump	Chrome Canister Style pump or March Billet Canister Style Pump	Dayco 6 Rib	
For Chrome add "-06" to kit number..... "12345-06" • For "Black Onyx" Powder Coating, Add "-07" • For Black Powder Coating, Add "-08"							

Matching Alternator, Water Pumps, Power Steering Pumps, A/C Compressors, Etc..... See Pages 71-76



If You Need Help Choosing Parts Let Our Experienced Technical Staff Help 1-888-729-9070 www.marchperf.com

"Sport-Track" All Inclusive Serpentine Kits

PONTIAC
V-8

Alternator, Air Conditioning and Power Steering



All Inclusive



March Quality and Innovation for the Budget Engine Builder

Designed for the budget minded builder with the same March Performance quality and innovation as our Style Track kits. Complete with pulleys and a strong compact one piece combination alternator and A/C bracket, manufactured from 6061-T6 billet aluminum but with a more economical Silver or Black finish.

Top brand name accessories such as Sanden and Tuff Stuff. No Slip operation. Replaces your low performance V-belts, pulleys. Simple to bolt on! Eliminates belt throwing. Larger crank pulley aids in driving your alternator, A/C and water pump for better cooling and improved charging during low speed driving. CNC machined from solid billet 6061-T6 aluminum. All accessories including Alternator, A/C compressor, power steering unit, water pump, pulleys, brackets and all mounting hardware.

Application: Pontiac 326, 350, 389, 400, 421, 428, and 455c.i. V-8.

Note: Kits require 1968 - newer balancer (4 bolt balancer without v-groove). 1969 or newer 11 bolt timing cover.

Kit Includes: • 105 Amp Alternator Satin (Chrome In Ultra Kit) • Alternator pulley with fan • Sanden A/C Compressor Satin (Chrome In Ultra Kit) • Edelbrock Water pump and pulley • Alternator/A/C Bracket • Crank pulley (Larger Dia for better accessory drive) • 3 Idlers for better belt wrap • Belt Tensioning Tool • All mounting hardware

Kits with power steering include • GM Type 2 power steering pump (does not include hoses or reservoir) • Power steering pulley with nose cover • Bracket with mounting hardware.

Optional: • Stainless Braided Power Steering Hose Kits • 140 amp or 320 amp Alternator

Our larger diameter crank pulley aids in driving your alternator, A/C, and water pump at idle where it counts.

Silver or Black Powder Coated
NO Polishing Required



Ultra Style, with Clear powder coating and pulley covers



BLACK Powder Coating

Pontiac Sports Track						
Kit # Drives	Alt.	Water Pump	A/C	Remote P/S	Belt Size	Price
13200-09 (Silver Face Plate)	Yes	Yes	Yes		68"	\$1,560.04
13200-08 (Black Face Plate)	Yes	Yes	Yes		68"	\$1,560.04
13205-09 (Silver Face Plate. 67 to 69 and earlier Firebirds Only)	Yes	Yes	Yes	Yes	71"	\$1,906.75
13205-08 (Black Face Plate. 67 to 69 and earlier Firebirds Only)	Yes	Yes	Yes	Yes	71"	\$1,906.75
13215-09 (Silver Face Plate. 1970 and up Firebirds, requires electric fuel pump)	Yes	Yes	Yes	Yes	69.5"	\$1,906.75
13215-08 (Black Face Plate. 1970 and up Firebirds, requires electric fuel pump)	Yes	Yes	Yes	Yes	69.5"	\$1,906.75
Pontiac Ultra Sport Track, with Clear Powder Coat and Pulley Covers						
13220 (Clear)	Yes	Yes	Yes		68"	\$1,758.49
13225 (Clear 67 to 69 and earlier Firebirds Only)	Yes	Yes	Yes	Yes	71"	\$2,089.24
13230 (Clear. 1970 and up Firebirds, requires electric fuel pump)	Yes	Yes	Yes	Yes	69.5"	\$2,089.24
Type of Accessories	105 Amp Chrome Alternator	Edelbrock Water Pump	Sanden 7176 Compressor	Type 2 Remote Pump	Dayco 6 Rib	

Optional Accessories for this Kit. See Accessory pages for more info



Matching Alternator, Water Pumps, Power Steering Pumps, A/C Compressors, Etc..... See Pages 71-76

Pontiac "Ultra" Serpentine Conversion

PONTIAC
V-8

Alternator and Optional Power Steering Optional A/C 326, 350, 389, 400, 421, 428 and 455 C.I.

This super trick one belt drive system runs off a standard rotation 1969 long water pump. Using this new serpentine design will totally eliminate any belt throwing and enhance your engine compartment. To get belt tensioning perfect, stainless steel rods with chrome moly rod ends are used.

Kit Requirements: • 1968 - newer balancer (4 bolt balancer without v-groove) • 1969 or newer 11 bolt 4.5" water pump

Alternator Kit Includes: • Crank Pulley. • Water pump pulley and nose cover. • Alternator pulley with fan and nose cover. • Alternator bracket with stainless steel tensioner. • Grade 8 mounting hardware

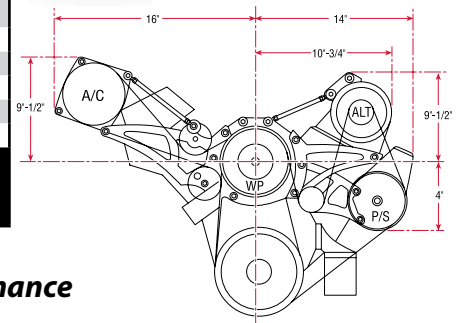
Air Conditioning Kit Includes: • A/C clutch cover. • A/C front and rear mounting brackets. • Stainless steel tensioning rod. • Dual Idlers with covers. • All necessary hardware. • Grade 8 mounting hardware

Power Steering Kit Includes: • Power steering bracket and pulley. • Power steering front and rear mounting brackets. • Idler pulley with cover. • Grade 8 mounting hardware

Optional Accessories: • 360 P/S Nose Cover • P170 Chrome Water Pump • P169 Edelbrock Aluminium Water Pump



Pontiac V-8 Serpentine Kits							
Kit #Drives	Alternator	A/C	Water pump	Canister Style Keyway P/S	Canister Style Press fit P/S	P/S A/C Belt Size	Price
13100	YES		YES			49"	\$464.31
13105	YES		YES	YES		66"	\$735.88
13110	YES		YES		YES	66"	\$735.88
13120	YES	YES	YES	YES		94.5"	\$1,144.16
13125	YES	YES	YES		YES	94.5"	\$1,144.16
Type of Accessories	GM 6-12 o'clock mounting 6" or 7" dia. Alt.	Sanden 505 or 508 serpentine A/C	1969 or later long W/P	1966-74 Keyway Canister Pump	1975 -78 Press Fit Canister Pump	Dayco 6 rib	



All Inclusive Kits

Pulleys, Brackets and Accessories Included!

Tuff Stuff or March Performance own Billet Accessories

Chrome Accessories Kits							
Kit #Drives	Alt.	A/C	W/P	P/S Pump	Alt. Belt Size	P/S 5 Rib Belt Size	Price
CA13105	YES		YES	YES		66"	\$1,041.02
CA13120	YES	YES	YES		YES	94.5"	\$1,874.76
Type of Accessories	Tuff Stuff P555	Tuff Stuff P413	Edelbrock Aluminum P169	Tuff Stuff P304	Dayco 6 rib	Dayco 6 rib	
Billet Accessories Kits							
BA13105	YES		YES	YES		66"	\$1,246.22
BA13120	YES	YES	YES		YES	94.5"	\$2,194.03
Type of Accessories	Billet 9650	Tuff Stuff P410	Edelbrock Aluminum P126	Billet 9600 + 360 Nose Cover	Dayco 6 rib	Dayco 6 rib	

For Black Powder Coating, Add "-08" to kit number..... "12345-08"

CLEAR
Powder Coated
NO Polishing Required

Buick V Groove Pulleys

- Part #12051** Crank Pulley 3 groove (with air conditioning) 5 1/2" \$102.32
- Part #12031** Crank Pulley 2 groove (without air conditioning) 5 1/2" \$88.28
- Part #12052** Short Water Pump Pulley 2 groove 6 1/2" \$101.48
- Part #12032** Long Water Pump Pulley 2 groove (455 only) 6 1/2" \$101.48

- Part #172** Alternator Pulley 2 groove (with air conditioning) 3 1/4" \$29.75
- Part #137** Alternator Pulley 1 groove (without air conditioning) 2 11/16" \$51.22
- Part #221** Alternator Fan \$49.10

1981-1985 Buick 3.8L

Turbo & Non Turbo V Belt

Performance Series

Part #4220 3 Piece Aluminum Set, Clear Powdercoat \$261.18

Set Includes:

- 4221** 3-Groove Crank Pulley 5"
- 4222** 3-Groove Water Pump Pulley 6 1/4"
- 137** 1-Groove Alternator Pulley w/Cover 2 11/16"

1986-1987 GN Regal

Serpentine Turbo Engine Only

4200-08 3 Piece Aluminum/Steel Set, Black Powdercoat \$181.46

Set Includes:

- 4201-08** 6-Rib Crank Pulley 5 1/4"
- 4203** Intercooler Fan Adapter
- 120-08** 6-Rib Steel Alternator Pulley 2 11/16"



Matching Alternator, Water Pumps, Power Steering Pumps, A/C Compressors, Etc..... See Pages 71-76



If You Need Help Choosing Parts Let Our Experienced Technical Staff Help 1-888-729-9070 www.marchperf.com

Buick "Style Track" Serpentine Conversion

BUICK
430/455 C.I.

Alternator and Air Conditioning Optional Power Steering

Hard to Find Serpentine Conversion for Your Buick V-8!

One piece bracket provides a rigid support for the alternator and A/C compressor; a separate bracket allows the option of power steering or no power steering. Multiple idlers guarantee the ultimate in belt to pulley contact area for "no slip" operation. Makes use of a unique easy to use belt tension adjustment tool. Once the belt tension has been set, the adjustment tool is easily removed and stowed away until the next time the belt requires adjustment. Complete alternator, alternator pulley with fan and nose cover, A/C compressor and nose cover, water pump with pulley and nose cover, crank pulley and the alternator/A/C bracket, complete with the belt tensioning tool. Kits with power steering include a Remote Style power steering pump and the power steering pump pulley with nose cover.

Application: Buick 430ci 455ci V-8.

Kit Includes: • Chrome 105 Amp Alternator • Alternator pulley with fan and nose cover • Matching Chrome A/C Compressor • Aluminum Water pump and pulley • Alternator/A/C Bracket • Crank pulley (Larger Dia for better accessory drive) • Idlers for better belt wrap • Belt Tensioning Tool • All mounting hardware

Kits with power steering include • Type 2 Remote power steering pump • Power steering pulley with nose cover • Bracket with mounting hardware.

Optional Accessories: • #450 Billet Aluminum Power Steering Reservoir • Stainless Steel Braided Power Steering Lines (Page 73) • 418-06 Chrome A/C Manifold • 140 amp or 320 amp Alternator • P636 Polished Stainless Fastener Kit



Style TRACK

Our larger diameter crank pulley aids in driving your alternator, A/C, and water pump at idle where it counts.

Buick V-8 Serpentine Kits						
Kit #Drives	Alternator	A/C	Water pump	Remote P/S	Belt Size	Price
17000	YES	YES	YES	YES	81.5"	\$2,089.24
17010	YES	YES	YES		73"	\$1,758.49
Type of Accessories	GM 6-12 o'clock mounting 6" or 7" dia. Alt.	Sanden 7176 A/C Compressor	Aluminum Water Pump	Type 2 Remote Pump	Dayco 6 rib	

Buick Nailhead Serpentine Kits

BUICK
NAILHEAD

March Performance All New, All Billet Aluminum serpentine system for Buick Nailhead V-8s is created with a combination of style and low price that is sure to find favor among car enthusiasts everywhere. The highly styled one piece bracket provides a rigid support for the alternator and A/C compressor; a separate bracket allows the option of power steering or no power steering. Two idlers ensure perfect belt wrap for "No-Slip" operation. Best of all, March's bracket kit cost less than other similar units on the market.

Application: 1962 TO 1966 401 & 425 C.I. Buick Nailhead V-8

Kit Includes: • 105 Amp Chrome Alternator • Alternator pulley with fan and nose cover • Matching Chrome A/C compressor • Water pump and pulley • Alternator and A/C Brackets • Crank pulley (Larger Dia for better accessory drive) • Belt Tensioning Tool • All mounting hardware

Kits with power steering include: • GM Type 2 power steering pump • Power steering pulley with nose cover • Bracket with mounting hardware.

Optional: • #450 Billet Aluminum remote power steering reservoir, (See Page 73) • Stainless Braided power steering line kit (see Page 73) • #418-06 Chrome A/C Manifold • 140 amp or 320 amp Alternator



Style Track Style



Nostalgia Style

CLEAR
Powder Coated
NO Polishing Required

Style Track						
Kit # Drives	Alt.	A/C	W/P	Remote P/ S	Belt Size	Price
17020 (Style Track)	Yes	YES	Yes		83"	\$2,194.50
17025 (Style Track)	Yes	YES	Yes	Yes	85"	\$2,520.00
17040 (Nostalgia)	Yes	YES	Yes		83"	\$2,194.50
17045 (Nostalgia)	Yes	YES	Yes	Yes	85"	\$2,520.00
Type of Accessories	105 Amp Chrome Alt.	Sanden 7176 A/C Compressor	Buick W/P	Type 2 Remote Pump	Dayco 6 rib	

For Chrome add "-06" to kit number..... "12345-06" • For "Black Onyx" Powder Coating, Add "-07" • For Black Powder Coating, Add "-08"

Matching Alternator, Water Pumps, Power Steering Pumps, A/C Compressors, Etc..... See Pages 71-76



American Motors Serpentine Conversion

One Piece **Alternator, Air Conditioning** and **Optional Power Steering**

AMC
304 - 401 V8

Pro-Track

**Lightweight, Extra Strength,
Race Proven**

SHORT WATER PUMP

March Performance Style and Quality for your AMC Project! One-piece alternator and air conditioning bracket is strong, and light.

Replace those old unreliable V-Belts with this dependable March Performance "Pro-Track" single belt serpentine drive kit. Simple to adjust. Great way to get A/C in your Jeep or older AMC car and it looks great too. Three idlers guarantee perfect belt wrap for no-slip operation. A separate bracket allows the option of remote style power steering or no power steering.

Application: 1968 and up 301- 401ci AMC

Kit Includes: • 105 Amp Chrome Alternator • Alternator pulley with fan and nose cover • Matching Chrome A/C compressor • A/C Compressor nose cover • Water pump and Hardcoated pulley • Alternator/A/C Bracket • 3 Idlers for perfect belt wrap • Crank pulley • Belt Tensioning Tool • All mounting hardware

Kits with power steering include: • GM Type 2 power steering pump (does not include hoses or reservoir) • Power steering pulley with nose cover • Bracket with mounting hardware.

Optional: • #450 Billet Remote Power Steering Reservoir • Stainless Braided Power Steering Hose Kits • 140 amp or 320 amp Alternator



**Complete Quality
Components**

1970 and up AMC Short Water Pump 4 Bolt Balancer						
Kit # Drives	Alt.	W/P	A/C	Remote P/S	Belt Size	PRICE
55100	Yes	Yes	Yes		79"	\$1,989.75
55150	Yes	Yes	Yes	Yes	83"	\$2,409.75
1968-1970 AMC Short Water Pump 3 Bolt Balancer						
55115	Yes	Yes	Yes		79"	\$1,989.75
55120	Yes	Yes	Yes	Yes	83"	\$2,409.75
Type of Accessories	105 Amp Chrome Alt.	AMC Water Pump	Sanden 7176 Compressor	Type 2 Remote Pump	Dayco 6 Rib	
For Chrome add "-06" to kit number..... "12345-06" • For "Black Onyx" Powder Coating, Add "-07" • For Black Powder Coating, Add "-08"						

American Motors Bracket Kts

Alternator, and Optional Power Steering Bracket Kits
Seperate Alternator and Power Steering
Bracket Kits for Long Water Pump AMC V-8s

CNC machined from solid billet 6061-T6 aluminum for a spectacular looking machine finish with perfect fit and extra high strength. Maintenance free Kit clear powder coat. Comes complete with stainless steel tensioning rod, chrome moly rod ends and necessary grade 8 mounting hardware.

Application: 1968 thru 1978 AMC V-8 Long Water Pump

Kit Includes: • Alternator pulley with fan and nose cover • Water pump pulley • Alternator Bracket • Crank pulley • All mounting hardware

Kits with power steering include: • Power steering pulley with nose cover • Bracket with mounting hardware.

LONG WATER PUMP



**Ultra
Style Kit**

**CLEAR
Powder Coated**
NO Polishing Required

1971-1978 AMC Long Water Pump V-8 4 Bolt Balancer					
Kit # Drives	Alt.	W/P	Power Steering	Belt Size	Price
55010	Yes	Yes		43.5"	\$435.75
55050	Yes	Yes	Yes	43.5" & 47.5"	\$824.25
1968-1970 AMC Long Water Pump V-8 3 Bolt Balancer					
55011	Yes	Yes		43.5"	\$435.75
55051	Yes	Yes	Yes	43.5" & 47.5"	\$824.25
Type of Accessories	105 Amp Chrome Alt.	AMC Water Pump	Canister Style Pump	Dayco 6 Rib	
For Black Powder Coating, Add "-08"					

American Motors V-Belt Pulleys

AMC 304ci 4³/₄" Water Pump
KIT 5600..... \$252.00

Kit Includes:

- (5601-A) 1 groove crank 6⁵/₈"
- (5602-A) 1 groove Water Pump pulley 5¹/₂"
- (137-A) 1 groove Altrnator. pulley 2¹/₃₂"

KIT 5610 \$267.75

Kit Includes:

- (5611-A) 2 groove Crank 6⁵/₈"
- (5612-A) 2 groove Water Pump 5¹/₂"
- (137-A) 1-groove Altrnator 2¹/₃₂"



Matching Alternator, Water Pumps, Power Steering Pumps, A/C Compressors, Etc..... See Pages 71-76



If You Need Help Choosing Parts Let Our Experienced Technical Staff Help 1-888-729-9070 www.marchperf.com

"Style Track" Serpentine Conversion

OLDS
350 ROCKET / 455

Alternator, Optional A/C & Optional Power Steering **Oldsmobile 350/455ci Style Track Kit**

Just for the Oldsmobile V-8. Rigid support for the alternator and A/C compressor; Three separate idlers guarantee the ultimate in no slip operation. Complete quality components including all the mounting hardware you'll need and detailed instructions so installation is a snap. Maintenance-free powder coating.

Application: Oldsmobile 350 Rocket V-8.

Style Track Kits Includes: • 105 Amp Chrome Alternator • Alternator pulley with fan and nose cover • Matching Chrome Sanden A/C Compressor • Aluminum Water pump and pulley • Alternator/A/C Bracket • Crank pulley (Larger Dia for better accessory drive) • 3 Idlers for better belt wrap • Belt Tensioning Tool • All mounting hardware

Kits with power steering include • GM Type 2 power steering pump • Power steering pulley with nose cover • Bracket with mounting hardware.

Optional: • #450 Billet Remote Power Steering Reservoir • Stainless Braided Power Steering Hose Kits • 418-06 Chrome A/C Manifold • 140 amp or 320 amp Alternator • P635 Polished Stainless Fastener kit(16030,16035) • 16012 Billet Oil Fill Tube

Ultra Kits Includes: Pulleys, Brackets and mounting hardware only



Shown with Optional Billet Alternator & Billet P/S Pump

Oldsmobile 350 Rocket Ultra Style							
Kit # Drives	Alt.	Water Pump	A/C	Remote P/S	Canister P/S	Belt Size	Price
16015 Ultra Style	Yes	Yes				45"	\$448.35
16020 Ultra Style	Yes	Yes			Yes	45" - 41"	\$698.25
Oldsmobile 455 Ultra Style							
16060 Ultra Style	Yes	Yes				45"	\$511.35
16065 Ultra Style	Yes	Yes			Yes	45" - 41"	\$761.25
Oldsmobile 350/455ci Style Track							
16030 Style Track	Yes	Yes	Yes	Yes		78"	\$2,089.24
16035 Style Track	Yes	Yes	Yes			66"	\$1,758.49
Type of Accessories	105 Amp Chrome, or Billet Alternator		Sanden 7176 Compressor	Type 2 Remote Pump	Chrome Canister Style pump or March Billet Canister Style Pump	Dayco 6 Rib	

Oldsmobile 455Ci "Ultra" Serpentine Kit

Alternator, Optional A/C & Optional Power Steering

March Performance Style and Reliability. This serpentine conversion kits replaces the troublesome V-belt accessory drive on big block Oldsmobile motors, to eliminate belt slippage and belt throwing. Pulleys are standard ratio to preserve full electrical charging and engine cooling.

Application: 455ci Big block Oldsmobile. **Will not work with 9600 billet canister style P/S pump**

Kit Includes: • Combination bracket with idler, Alternator relocater arm, tensioners and hardware. • Crank pulley, water pump pulley with nose cover • Alternator pulley with fan and nose cover • Remote power steering pump cover with pulley and pulley nose cover • A/C kit includes A/C bracket with idler, compressor nose cover • Wing accent (with A/C kits 16070 + 16090) • Tensioning rods and rod ends • Grade 8 mounting hardware

Optional Accessories: • #P315 Remote power steering pump • #9650 March billet alternator • #16011 Wing Accent (included in 16070 + 16090 kits) • #450 Billet Aluminum Power Steering Reservoir • Stainless Steel Braided Power Steering Lines (Page 73) • #P150 March Performance Chrome Water Pump • #360 Power Steering Nose Cover (kits 16090 & 16095) • 16012 Billet Oil Fill Tube



Canister Style P/S Pump Kit. Use your old pump and save the cost of remote power steering lines and reservoir

CLEAR Powder Coated
NO Polishing Required

Oldsmobile 455ci									
Kit #Drives	Alt.	A/C	W/P	Remote Reservoir P/S	Canister Style P/S	Wing Accent	A/C belt size	Alt. W/P P/S belt size	Price
16070	YES	YES	YES	YES		YES	65"	61.5"	\$1,475.11
16075	YES		YES	YES		Optional		61.5"	\$881.95
16090	YES	YES	YES		YES	YES	65"	62"	\$1,475.11
16095	YES		YES		YES	Optional		62"	\$881.95
Type of Accessories	GM 6-12 o'clock mounting 6" or 7" diameter alt.	Sanden 505 or 508 serpentine A/C or March P-410	Olds short forward rotation W/P with 5.25" offset or March #P150 Chrome W/P	1987 Sunbird remote reservoir pump, or March P315 or P320	1966-74 Canister Style Keyway pump or P304 Chrome pump		6 Rib	6 Rib	
For Black Powder Coating, Add "-08" to kit number..... "12345-08"									



Complete Quality Components

Matching Alternator, Water Pumps, Power Steering Pumps, A/C Compressors, Etc..... See Pages 71-76



"Style Track" Serpentine Kit

CADILLAC
472-500 C.I.

Alternator, Air Conditioning and Optional Power Steering

High Style, Low Cost for Your Caddy!

All Billet Aluminum Style Track serpentine system for Cadillac V-8s is created with a combination of style and low price that is sure to find favor among car enthusiasts everywhere. The highly styled one piece bracket provides a rigid support for accessories, a separate bracket allows the option of power steering or no power steering. Three idlers ensure perfect belt wrap for "No-Slip" operation. Cost less than other similar units on the market. Easy to use belt tension adjustment tool.



Application: Cadillac 472-500 c.i. V-8 1968 - 1976.

Kit Includes: • 105 Amp Chrome Alternator • Alternator pulley with fan and nose cover • Matching Chrome A/C compressor • Water pump and pulley • Alternator and A/C Brackets • Crank pulley (Larger Dia for better accessory drive) • Belt Tensioning Tool • All mounting hardware

Kits with power steering include: • GM Type 2 power steering pump • Power steering pulley with nose cover • Bracket with mounting hardware.

Optional: • #450 Billet Aluminum remote power steering reservoir, • Stainless Braided power steering line kit (see Page 73) • #418-06 Chrome A/C Manifold • 140 amp or 320 amp Alternator • P637 Polished Stainless Fastener Kit

Cadillac Style Track						
Kit # Drives	Alt.	W/P	A/C	Remote P/ S	Belt Size	Price
21520	Yes	Yes	Yes		74"	\$1,758.49
21525	Yes	Yes	Yes	Yes	85.5"	\$2,089.24
Type of Accessories	105 Amp Chrome Alt.	Short W/P Standard rotation	Sanden 7176 Compressor	Type 2 Remote Pump	Dayco 6 rib	

For Chrome add "-06" to kit number..... "12345-06" • For "Black Onyx" Powder Coating, Add "-07" • For Black Powder Coating, Add "-08"



Cadillac V-Belt Pulleys

Cadillac 500ci 4 1/8" Water Pump

KIT 2150 1972 to 1976 \$288.75

Kit Includes:

- (2151-A) 2 groove crank 7 3/4"
- (2152-A) 2 groove Water Pump 5 7/8"
- (137-A) 1 groove Water Pump 2 1/16"

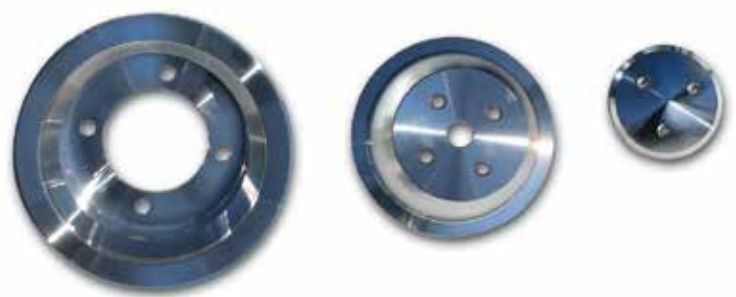


Oldsmobile V-Belt Pulleys

Olds 350 Rocket & 455 5.25" Water Pump

KIT 16083 \$257.25 Kit Includes:

- (16081-A) 2 groove crank 6 1/4"
- (16081-A) 2 groove Water Pump pulley 5 1/4"
- (137-A) 1 Groove Altrnator Pulley 2 1/32"



Matching Alternator, Water Pumps, Power Steering Pumps, A/C Compressors, Etc..... See Pages 71-76



If You Need Help Choosing Parts Let Our Experienced Technical Staff Help 1-888-729-9070 www.marchperf.com

"Style Track" Serpentine Conversion

Alternator, A/C with optional Power Steering or Alt. Only

This March Performance serpentine conversion is the best way to get modern serpentine belt reliability and "No Slip" operation in one Highly Styled package. And Now you can have the comfort of Air Conditioning and a Clever Center Mounted Remote Power Steering Pump to boot.

Compact in design with inward mounted alternator and A/C units that fits nicely in tall narrow hoods. A 105 amp alternator supplies all your electrical needs. Two water pumps with 45 or 90 degree motor mounts provide the cooling and two idlers guarantee all the belt wrap this kit needs for no belt slip operation. Best of all a unique center mounted remote power steering pump not only provides power for your steering setup but also acts as an easy belt tensioning mechanism. Available without P/S pump.

Application: Fits 1949 - 1953 Ford Flathead Motors with 90 degree or 45 degree motor mounts

Kit Includes: ● 105 Amp Chrome or Billet Alternator, ● Sanden Chrome 7176 A/C Compressor ● A/C Compressor nose cover ● Alternator/A/C Bracket ● Two Ford Flathead Water pumps ● Water Pump Pulleys with Nose Covers ● Crank pulley ● Two Idlers for better belt wrap

Kits with power steering include ● Corvette Type 3 Remote Power Steering Unit ● Power Steering Pulley ● Power Steering Pulley Nose Cover ● Bracket with mounting hardware

Optional Accessories ● #450 Billet Aluminum remote power ● 418-06 Chrome A/C Manifold steering reservoir, (See Page 73) ● Stainless braided power steering line kits. ● P643 Polished Stainless Fastener Kit



Alternator Only Kit

FORD Flathead

Center mounted pulley provides easy belt tensioning and drives power steering.

Ford Flathead V-8

Kit # Drives	Alt.	Water Pumps	A/C	Remote P/S	Belt Size	Price
30600 90 Degree Motor Mounts	Yes	Both	Yes	Yes	108"	\$2,268.00
30615 45 Degree Motor Mounts	Yes	Both	Yes	Yes	108"	\$2,268.00
30610 90 Degree Motor Mounts	Yes	Both	Yes	-	108"	\$2,205.00
30620 45 Degree Motor Mounts	Yes	Both	Yes	-	108"	\$2,205.00
30630 45 Degree Motor Mounts	Yes (Chrome)	Both	-	-	-	\$1,350.50
30635 45 Degree Motor Mounts	Yes (Billet)	Both	-	-	-	\$1,579.50
30640 90 Degree Motor Mounts	Yes (Chrome)	Both	-	-	-	\$1,350.50
30645 90 Degree Motor Mounts	Yes (Billet)	Both	-	-	-	\$1,579.50

Type of Accessories	105 Amp Chrome or Billet Alternator	Standard Ford Flathead Pumps	Sanden 7176 Compressor	Corvette Type 3 Remote Pump	6 Rib
---------------------	-------------------------------------	------------------------------	------------------------	-----------------------------	-------

For Black Powder Coating, Add "-08" to kit number..... "12345-08"



Complete Quality Components

Ford Performance Serpentine System

Alternator, Optional A/C & Optional Power Steering

Designed just for the NEW Ford "Coyote" Motor. Perfect for mounting the new 5.0 Liter Ford V-8 into older vehicles

The highly styled one piece air conditioning and power steering bracket provides a rigid support for the A/C compressor and remote power steering pump. or chose to drive the power steering, water pump and alternator only. A CNC Machined billet aluminum water pump pulley along with idlers ensure a perfect No-Slip serpentine belt wrap.

Includes all the mounting hardware you'll need and detailed instructions so installation is a snap. You can also forget about polishing this assembly, as it features maintenance-free clear or black powder coating.

Application: Ford 5.0 Coyote V-8

Kit Includes: ● Ford Racing Alternator with pulley and spring loaded tensioner ● A/C compressor ● A/C Compressor nose cover ● Water pump pulley ● Power Steering/A/C Bracket ● Idlers for perfect No-Slip belt wrap ● GM Type 2 power steering pump (does not include hoses or reservoir) ● Power steering pulley with nose cover ● Bracket with mounting hardware ● All mounting hardware

Optional: ● #450 Billet Remote Power Steering Reservoir ● Stainless Braided Power Steering Hose Kits

5.0 Coyote V8



FORD Coyote 5.0 Liter

Ford Coyote 5.0

Kit # Drives	Alt.	W/P	A/C	Remote P/S	Belt Size	Price
30510	Yes	Yes	-	-	66.7"	\$703.50
30520	Yes	Yes	-	Yes	66.7 - 40.5"	\$1,365.00
30550	Yes	Yes	Yes	Yes	66.7 - 45.5"	\$1,748.25

Type of Accessories	Ford Racing with Pulley	Sanden 7176 Compressor	Type 2 Remote Pump	Dayco 6 Rib
---------------------	-------------------------	------------------------	--------------------	-------------

For Chrome add "-06" to kit number..... "12345-06" • For "Black Onyx" Powder Coating, Add "-07" • For Black Powder Coating, Add "-08"



Matching Alternator, Water Pumps, Power Steering Pumps, A/C Compressors, Etc..... See Pages 71-76

1996-2004 Ford 4.6 Pulleys

FORD
MUSTANG 5.0 4.6

4.6 Mustang GT & Cobra, T-Bird and Cougar Pulley Kits

Black Steel Alternator, Black Aluminum Water Pump and Black Aluminum Crank Pulleys

Part #1150-08	1996-1998 GT & 96-99 Cobra, 3 Piece Performance Pulley Kit	\$151.82
Part #1155-08	1999-2004 GT Long Water Pump , 3 Piece Performance Pulley Kit	\$151.82
Part #1170-08	2001-2004 GT & 2001 Cobra Short Water Pump , 3 Piece Performance Pulley Kit	\$151.82
Part #1175-08	1996-2004 GT & 1996-1999 Cobra Long Water Pump , 3 Piece Pulley Kit with SFI Damper Pulley	\$227.06
Part #1180-08	2001-2004 GT & 2001 Cobra Short Water Pump , 3 Piece Pulley Kit with SFI Damper Pulley	\$227.06
Part #1116-08	4 inch Race Alternator Pulley	\$55.64
Part #640-08	6.5" inch Race Power Steering Pulley	\$89.75

Black 3 Piece Steel Pulley Kits

Part # P1140-08	1994-1997 T-Bird & Cougar, 3 Piece Black Steel Pulley Kit	\$62.45
------------------------	---	---------



2005-2009 4.6 Mustang GT Pulley Kit

Kit Includes 1-Water Pump Pulley (1201), 1-Water Pump Pulley cap (317), 1-Power Steering Pulley (660-A), 1-Power Steering Pulley Hub (602), 1-Grooved Idler (765), 2-Smooth Idler (760), Belt Tension Pulley (711)

Part # -1200\$661.50



Ford 4.6 S.F.I. Fluid Damper Performance Pulley

New one piece design, does not require old damper, Dyno tested at 12H.P. gain. S.F.I. Approved

Part # P1158-08 96-2005 4.6 Mustang GT & 96-01 Cobra. \$125.27

Note: Will not work on Mach 1



Ford Serpentine Pulley Sets for 5.0 and 4.6

Lower cost Custom series aluminum sets are machined from the same high strength 6061-T6 billet aluminum as our Deluxe sets but have a machined aluminum finish with no powder coating. Unlike some of our competitors bargain pulleys we still hard coat the water pump pulley high wear areas for reliability and the crank pulley seal area to prevent oil seal leakage. Our Performance Series pulley sets increases horsepower by reducing accessory drag as much as 12.5 h.p. at rear wheels. Our Power & Amp Series Increases horsepower by 11 h.p. and are designed for vehicles with automatic transmissions or higher amperage needs. EXCELLENT for heavy stop and go driving.

Kits Include Crank, Water Pump and Alternator Pulleys

Part #2210	79-93 5.0 Performance Series	\$110.44
Part #2215	79-93 5.0 Power and Amp Series	\$110.44
Part #2220	94-95 5.0 Performance Series	\$131.67
Part #2250	96-98 GT & 96-99 Cobra Performance Series	\$141.90
Part #2255	99-04 GT Performance Series	\$141.90
Part #2270	01-04 GT & 01 Cobra Performance Series (short water pump)	\$141.90



3.8 V6!

Ford 3.8 1994-1998 Pulleys

Same March Quality and Performance for your V-6 Ford

Part #2170 -08 2 Piece Aluminum Set Clear aluminum crank and black steel alternator pulleys, Belt Size 96" \$111.62



Ford Ram Air Kits and Power Packs

Mustang Ram Air 1986-1993 5.0

15hp. Increase by forcing denser cold air into your engine!

This is the Best ram Air kit on the market. We use only the finest materials to manufacture these kits.

Part # P1410\$202.50

Kit includes: •1411 K&N Filter •1412 Massive Air Scoop •1413 Air Box •1414 5" Premium Air Duct

1986-93 5.0 Power Pack Kit #1

Kit #1... Pulley's #1000-08 and Ram Air System #1410 combined We have combined our two most powerful products together in ONE winning package at a NEW Low Price!

Power Pack #1\$259.23

Two Great Products, One Low Price

30H.P.!



5.0 1994-1995 Mustang Ram Air / 3.8 1994-1998

15 h.p. Increase by ramming denser cold air into your engine! This is the best ram air kit on the market. We use only the finest materials to manufacture these kits. Requires trimming of lower valance.

Part # P1425 \$151.82

4.6 1996-2004 Mustang Ram Air

Part # P1420 \$151.82

15 H.P.!



Power Packs Two Great Products, One Great Price

We combined our two most powerful products together in one winning package.

1994-96 5.0 Power Pack Kit # 5\$258.00
Includes Pulley Kit #1100-08, Ram Air System # P1425 (air filters not included)

1996-98 4.6 Power Pack Kit # 4\$282.56
Includes Pulley Kit #1150-08, Ram Air System # P1420 (air filters not included)

1999 - 2004 Mustang Gt 4.6 Power Pack Kit #6\$285.41
Includes Pulley Kit #1155-08, Ram Air System # P1420 Long Water Pump Engines

1996 - 1999 4.6 Cobra Power Pack Kit #3\$288.71
Includes Pulley Kit #1150-08, Ram Air System # P1440

1994 - 1998 3.8 V-6 Mustang Power Pack Kit #7\$245.36
Includes Pulley Kit #2170-08, Ram Air System # P1425



25 H.P.!

Matching Alternator, Water Pumps, Power Steering Pumps, A/C Compressors, Etc..... See Pages 71-76



If You Need Help Choosing Parts Let Our Experienced Technical Staff Help 1-888-729-9070 www.marchperf.com

Performance Serpentine Pulleys

5.0 1979 and Later

"Best of the 5.0 Performance Products"



"12.5 h.p.. at 5000 rpm's. 13.6 ft. lbs. of torque at 3900 rpm's"

These little power-making gems have been around for more than a decade. Whether you bolt them to a 5.0 or a modified 347 they still make power. With prices less than \$200 (some sets are priced less than \$100), a pulley upgrade is a nice budget modification that will make power and can usually be used alongside future upgrades with no problems.

Performance Series Increases horsepower by reducing accessory drag. 12.5 h.p. at rear wheels typical. Eliminates belt throwing. Designed for normal street driving.

Power & Amp Series Increases horsepower by reducing accessory drag. 11 h.p. at rear wheel. Designed for vehicle with automatic transmission or high amperage need. EXCELLENT for heavy stop and go driving. Aluminum Sets are machined from 6061-T6 billet aluminum for extra strength and wear.

Part #755 6.5 inch Air Pump (3 bolt) pulley Fits Ford and Moroso Evac. Pumps \$81.81



2110 3 Piece Aluminum Set
Clear Powdercoat

1979-1993 5.0 Mustangs/Trucks

Performance Series						
Kit #Drives	Material	Crank Pulley	Water Pump Pulley	Alternator Pulley	Alternator Pulley w/cover	Price
P1000-08	3 pc. steel	1001-08	1002-08	2 ³ / ₈ " #100-08		\$56.72
2010 Ultra	3 pc. Clear Powder Coated aluminum	4 ³ / ₈ " #2011	Non rib 5 ¹ / ₂ " #2012		2 ³ / ₈ " #206	\$187.77
2009	3 pc. aluminum	4 ³ / ₈ " #2011	Non rib 5 ¹ / ₂ "	2 ³ / ₈ " (no cap) #206-A		\$147.57
Power and Amp Series (Recommended for Automatic Transmission Vehicles)						
P1015-08	3 pc. steel	4 ³ / ₈ " #1001-08	Non rib 5 ¹ / ₂ " #1002-08	1 ¹¹ / ₁₆ " #110-08		\$85.11
2015 Ultra	3 pc. Clear Powder Coated aluminum	4 ³ / ₈ " #2011	Non rib 5 ¹ / ₂ " #2012		1 ¹¹ / ₁₆ " #112	\$187.77



1994-1995 5.0 Mustang Pulleys

Performance Pulley Sets						
Kit #Drives	Material	Crank Pulley	Water Pump Pulley	Alternator Pulley	Alternator Pulley w/cover	Price
1100-08	Black Powdercoat Aluminum/Steel	6 rib Aluminum #1101-08	Non ribbed Aluminum #1102-08	6 rib Steel #120-08		\$122.85
2110	Clear Powdercoat Aluminum	6 rib #2111	Non ribbed #2112		6 rib #208	\$187.45

Matching Billet Aluminum Accessories, 5.0 Mustang (79-93 only)



P/S Pulley	P/S Pulley Nose Cover	A/C Cover	Tensioner Cover	Tensioner Pulley	W/P Nose Cover	Smog Pulley	Alt. Fan
Part #630 .. \$85.25	Part #360 .. \$45.37	Part #385 .. \$85.25	Part #1435 .. \$85.95	Part #725 .. \$85.25	Part #320 .. \$28.26	Part #745 .. \$70.88	Part #221 .. \$49.10

NOTE: #1435 tensioner cover kit cannot be used with #725 tensioner pulley. Use stock pulley.

Serpentine and V-Belt Brackets



5.0 - 351W A/C or A/C and Power Steering Eliminator Bracket

This bracket can eliminate up to 45 lbs. of front end weight thereby improving front to rear weight transfer for better traction. Mounts between water pump and power steering pump. CNC machined from 6061-t6 aluminum. All grade 8 mounting hardware included. Will not work with 94-95 Mustang, 89-93 T-Bird/Cougar and 96 and newer Explorer timing covers. For 79-93 5.0 Mustang style accessory drives.

Part #1460-09 5.0.....\$50.57
Part #30080-09 351W.....\$60.18
Requires 1986 - 1993 Mustang Tensioner.

Adjustable Alternator Bracket Kit

This kit comes complete with bracket, stainless steel adjusting rod, chrome moly rod end and mounting hardware for serpentine or v-belt set ups. For 79-93 5.0 Mustang style accessory drives.

Part #1465-09 5.0.....\$63.22
Part #30050-09 351Windsor.....\$96.53



Part #1465-09
Part #30050-09

#1435 Tensioner Cover kit
Shown (not required)

Part #1460-09
Part #30080-09

Matching Alternator, Water Pumps, Power Steering Pumps, A/C Compressors, Etc..... See Pages 71-76



Serpentine and V-Belt Brackets

Ford 5.0 - 351 Brackets

Precision CNC machined from solid billet 6061-T6 aluminum to fit perfectly and handle high torque and vibration. Kits comes complete with stainless steel tensioning rods and chrome moly rod ends for high performance operation. All necessary hardware included. **ULTRA** and **DELUXE** have clear powder coat, **LOW COST CUSTOM** has silver powder coat. If used with standard rotation water pump use ford racing pump # M-8501-G351 or 1985-87 crown vic alum. water pump. P/S brackets will not work with factory a/c brackets

Bracket Kits Only:

Part #30025	DELUXE 302 Alt. Bracket with Tensioner.....	\$120.41
Part #30028	ULTRA 302 Alt. Bracket with Adjustment Rod.....	\$136.27
Part #30025-09	LOW COST CUSTOM 302 Alt. Bracket with Tensioner.....	\$90.79
Part #30035	DELUXE 302/351W Power Steering Bracket.....	\$120.41
Part #30037	ULTRA 302/351W Power Steering Bracket for mounting Canister Style Keyway style pumps. (must use 623 pulley).....	\$140.82
Part #30038	ULTRA 302/351W Power Steering Bracket for Standard Ford pumps.	\$136.27
Part #30035-09	LOW COST CUSTOM 302/351W Power Steering Bracket.....	\$90.79
Part #30040	DELUXE 302, 351W Idler Bracket with Idler.....	\$156.57
Part #30055	DELUXE 351 Alt. Bracket with Tensioner.	\$120.40
Part #30055-09	LOW COST CUSTOM 351 Alt. Bracket with Tensioner.....	\$90.79

Will not work with 94-95 Mustang, 89-93 T-Bird/Cougar and 96 and newer Explorer timing covers.



#30028 ULTRA Alt. Kit



#30037 ULTRA Kit (Saginaw Style)



#30038 ULTRA Kit (Ford)

Low Cost Custom Kits Available



DELUXE Style Brackets

Matching Alternator & Power Steering Brackets

289, 302 and 351C.I.

Windsor

Billet aluminum, Clear powdercoated and stainless steel adjusting rod on the alt. bracket. Power steering is slot style adjustment.

Kits for Passenger side lower radiator water pump hose.

Part #30351	Alternator Bracket 289/302	\$120.41
Part #30391	Alternator Bracket 351W	\$126.09
Part #30352*	Power Steering Bracket 289/302	\$120.41
Part #30392*	Power Steering Bracket 351W.....	\$126.09

Kits for Drivers side lower radiator water pump hose.

Part #30355	Alternator Bracket 289/302	\$120.41
Part #30395	Alternator Bracket 351W	\$126.09
Part #30356*	Power Steering Bracket 289/302 w/pulley.....	\$211.55
Part #30396*	Power Steering Bracket 351W w/pulley	\$217.23

*Requires early 71-76 Mustang power steering pump.

NOTE: #30356 and #30396 includes required P/S/pulley



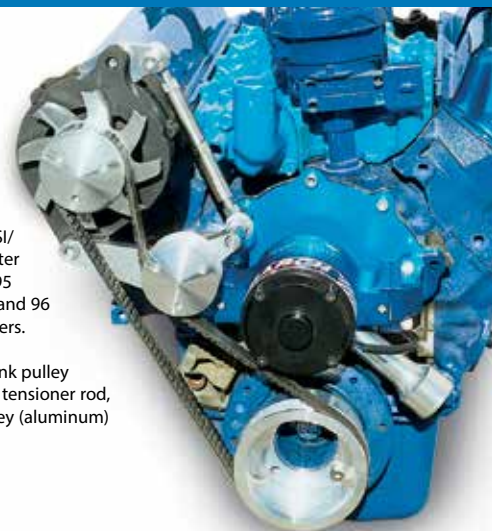
Electric Water Pump Serpentine Drive Kits for 5.0 Ford

Fits Meziere Backplate Style, CSI/CSR and Aerospace electric water pumps. Will not work with 94-95 Mustang, 89-93 T-Bird/Cougar and 96 and newer Explorer timing covers.

Kit includes: Performance crank pulley (aluminum) alternator bracket, tensioner rod, Idler pulley and alternator pulley (aluminum)

Part #30065	5.0 (302c.i.) uses 38" 6-rib belt	\$315.51
Part #30060	351 Windsor uses 40" 6-rib belt	\$315.51

Shown with Optional Alternator fan #221



Ford 289/302 & 351W Electric Water Pump Bracket Kits

March Performance ULTRA styling with separate alternator and Canister Style power steering bracket. CSI Water Pump Only. Will not work with 94-95 Mustang, 89-93 T-Bird/Cougar and 96 Explorer and newer timing covers. Requires electric fuel pump. Requires Saginaw keyed power steering pump (1971 Chevy Impala)

Kit includes: Performance Aluminum Crank Pulley Alternator Bracket and Tensioner Rod, Aluminum Alternator Pulley. Kits with Power Steering include P/S Bracket. Rear Support Bracket, P/S Pulley.

Part# 30070	- 289/302 Alternator Only	\$304.50
Part# 30075	- 289/302 Alternator and Power Steering	\$619.50
Part# 30090	- 351W Alternator Only	\$315.00
Part# 30095	- 351W Alternator and Power Steering	\$630.00



Matching Alternator, Water Pumps, Power Steering Pumps, A/C Compressors, Etc..... See Pages 71-76



If You Need Help Choosing Parts Let Our Experienced Technical Staff Help 1-888-729-9070 www.marchperf.com

Windsor / Cleveland Serpentine Conversion



Replace your low performance V-belt pulleys while retaining your standard rotation water pump. Simple to bolt on! Increases horsepower and eliminates belt throwing.

Performance Series Increases horsepower by reducing accessory drag. 12.5-15 h.p. at rear wheels typical. Eliminates belt throwing. Designed for normal street driving. CNC machined to run perfectly true. 6061-T6 aluminum for extra strength and wear.

High Water Flow Increases cooling by speeding up water flow and fan speed. This helps at critical low speed driving where most overheating occurs.

Requires: • Factory 4 bolt damper • Standard rotation water pump • Driver side lower radiator hose **Note: Damper face to water pump flange face 3.25". For use with march alternator brackets 30025 & 30055 only must also use ford racing water pump 8501-G351 or 1985-1987 Crown Vic aluminium water pump only. Cannot use power steering or A/C NOTE: If you have a aftermarket damper please contact March tech support before ordering. Optional water pump pulley cover #312, Billet Alternator Fan #221**

Shown with optional Alt. cooling fan



Using American 6061 T6 Aluminum

Performance Ratios				
Set #	Crank Pulley	Water Pump Pulley	Alternator Pulley with nose cover	Price
1670	6 rib 4 3/8" #2011	6 rib 5 1/2" #2004	6 rib 2 3/8" #206	\$215.33
High Water Flow Ratios				
1675	6 rib 6 1/8" #2008	6 rib 5 1/2" #2004	6 rib 2 3/8" #206	\$240.48

1969 1/2 & Later 302-351 V-Belt Pulleys

Performance Series Increases horsepower by reducing accessory drag. 12.5-15 h.p. at rear wheels typical. Eliminates belt throwing. Designed for normal street driving. CNC machined to run perfectly true. Billet 6061-T6 aluminum for extra strength and wear.

High Water Flow Increases cooling by speeding up water flow and fan speed. This helps at critical low speed driving where most



Stock Application V-Belt Pulley Sets Windsor & Cleveland

Requires: Factory 4 bolt damper only. Drivers side lower radiator hose, 28oz. Fluid Damper use #1431 Spacer, SVO / Summit Damper use #1433 spacer

Note: Damper face to water pump flange face 3 1/4"
Optional: Water pump pulley nose cover #312.

Performance Ratios							
Set #	Crank Pulley	Water Pump Pulley	Alt Pulley with nose cover	Price	Optional P/S pulley 302 C.I.	Optional P/S pulley 351 C.I.	Optional alt fan
1640 for alt bracket #30355 or #30395	1V	1V	1V	\$241.87			221
1610	1V	1V	1V	\$241.87			221
1625	2V	1V	1V	\$253.14	1V #504	1V #502	221
1630	2V	2V	1V	\$264.37	1V #504	1V #502	221
1650	3V 2.5" O.A.L.	1V	1V	\$264.37	1V #504	1V #502	221
1690	3V 3" O.A.L.	1V	1V	\$264.37	1V #504	1V #502	221
High Water Flow Ratios							
1645 for alt bracket #30355 or #30395	1V	1V	1V	\$241.87			221
1647	1V	1V	1V	\$241.88			221
1657	2V	1V	1V	\$253.14	1V #504	1V #502	221
1667	2V	2V	1V	\$264.37	1V #504	1V #502	221
1655	3V 2.5" O.A.L.	1V	1V	\$264.37	1V #504	1V #502	221
1685	3V 3" O.A.L.	1V	1V	\$264.37	1V #504	1V #502	221

- 1640 Set Drives: W/P, Alt.**
1614 1-Groove Crank Pulley 5 1/2"
1612 1-Groove W/P Pulley 6 1/4"
137 1-Groove Alt. Pulley w/Cover 2 11/16"
MARCH 30355 OR 30395 BRACKETS ONLY
- 1610 Set Drives: W/P, Alt.,**
1611 1-Groove Crank Pulley 5 1/2"
1613 1-Groove W/P Pulley 6 1/4"
137 1-Groove Alt. Pulley w/Cover 2 11/16"
- 1625 Set Drives: W/P, Alt., P.S.**
1631 2-Groove Crank Pulley 5 1/2"
1612 1-Groove W/P Pulley 6 1/4"
137 1-Groove Alt. Pulley w/Cover 2 11/16"

- 1630 Set Drives: W/P, Alt., P.S.**
1631 2-Groove Crank Pulley 5 1/2"
1632 2-Groove W/P Pulley 6 1/4"
137 1-Groove Alt. Pulley w/Cover 2 11/16"
- 1650 Set Drives: W/P, Alt., P.S., A/C**
1651 3-Groove Crank Pulley 5 1/2"
*First Groove Offset is .059 or 1/16" From Damper Face
1612 1-Groove W/P Pulley 6 1/4"
137 1-Groove Alt. Pulley w/Cover 2 11/16"
- 1690 Set Drives: W/P, Alt., P.S., A/C**
1691 3-Groove Crank Pulley 5 3/4"
*First Groove Offset is .954 or 15/16" From Damper Face
1612 1-Groove W/P Pulley 6 1/4"
137 1-Groove Alt. Pulley w/Cover 2 11/16"

- 1645 Set Drives: W/P, Alt.**
1614 1-Groove Crank Pulley 5 1/2"
1618 1-Groove W/P Pulley 5 1/4"
137 1-Groove Alt. Pulley w/Cover 2 11/16" **MARCH 30355 OR 30395 BRACKETS ONLY**
- 1647 Set Drives: W/P, Alt.,**
1611 1-Groove Crank Pulley 5 1/2"
1616 1-Groove W/P Pulley 5 1/4"
137 1-Groove Alt. Pulley w/Cover 2 11/16"
- 1657 Set Drives: W/P, Alt., P.S.**
1631 2-Groove Crank Pulley 5 1/2"
1618 1-Groove W/P Pulley 5 1/4"
137 1-Groove Alt. Pulley w/Cover 2 11/16"

- 1667 Set Drives: W/P, Alt., P.S.**
1631 2-Groove Crank Pulley 5 1/2"
1633 2-Groove W/P Pulley 5 1/4"
137 1-Groove Alt. Pulley w/Cover 2 11/16"
1655 Set Drives: W/P, Alt., P.S., A/C
1651 3-Groove Crank Pulley 5 1/2"
*First Groove Offset is .059 or 1/16" from Damper Face
1618 1-Groove W/P Pulley 5 1/4"
137 1-Groove Alt. Pulley w/Cover 2 11/16"
1685 Set Drives: W/P, Alt., P.S., A/C
1691 3-Groove Crank Pulley 5 3/4"
*First Groove Offset is .954 or 15/16" From Damper Face
1618 1-Groove W/P Pulley 5 1/4"
137 1-Groove Alt. Pulley w/Cover 2 11/16"

1965-1969 289-302-351 Windsor Passenger Cars V-Belt Pulleys 1965-1977 Trucks

Performance Ratios							
Set #	Crank Pulley	W/P Pulley	Alt. Pulley with nose cover	Price	Optional P/S pulley 302 C.I.	Optional P/S pulley 351 C.I.	Optional alt. fan
1550	1V	1V	1V	\$239.96			221
1560	2V	2V	1V	\$247.81	1V #504	1V #502	221
1595	3V	2V	1V	\$255.27	1V #504	1V #502	221
High Water Flow Ratios							
1555	1V	1V	1V	\$239.96			221
1565	2V	2V	1V	\$247.81	1V #504	1V #502	221
1585	3V	2V	1V	\$255.27	1V #504	1V #502	221

- 1550 Set Drives: W/P, Alt.,**
1551 1-Groove Crank Pulley 5 1/2"
1552 1-Groove W/P Pulley 6"
137 1-Groove Alt. Pulley w/Cover 2 11/16"
- 1560 Set Drives: W/P, Alt., P.S.**
1561 2-Groove Crank Pulley 5 1/2"
1562 2-Groove W/P Pulley 6"
137 1-Groove Alt. Pulley w/Cover 2 11/16"
- 1595 Set Drives: W/P, Alt., P.S., A/C**
1593 3-Groove Crank Pulley 5 1/2"
1562 2-Groove W/P Pulley 6"
137 1-Groove Alt. Pulley w/Cover 2 11/16"
- 1555 Set Drives: W/P, Alt.,**
1551 1-Groove Crank Pulley 5 1/2"
1553 1-Groove W/P Pulley 5"
137 1-Groove Alt. Pulley w/Cover 2 11/16"
- 1565 Set Drives: W/P, Alt., P.S.**
1561 2-Groove Crank Pulley 5 1/2"
1563 2-Groove W/P Pulley 5"
137 1-Groove Alt. Pulley w/Cover 2 11/16"
- 1585 Set Drives: W/P, Alt., P.S., A/C**
1593 3-Groove Crank Pulley 5 1/2"
1563 2-Groove W/P Pulley 5"
137 1-Groove Alt. Pulley w/Cover 2 11/16"

Optional: Water pump pulley nose cover #312.

Requires: Factory 3 bolt damper • Passenger side lower radiator hose
Note: Damper face to water pump flange face 3 7/8"

Fluid Damper 4 Bolt Applications use:
#1532 1V crank pulley #1535 2V crank pulley #1539 3V crank pulley.
Use with standard water pump and alternator pulley #s listed.



Matching Alternator, Water Pumps, Power Steering Pumps, A/C Compressors, Etc.... See Pages 71-76



Ford V-Belt Pulleys



March Quality and Style in Traditional V-Belt Pulleys

Performance Series Increases horsepower by reducing accessory drag. 12.5-15 h.p. at rear wheels typical. Designed for normal street driving. CNC machined to run perfectly true. 6061-T6 aluminum for extra strength and wear.

High Water Flow Increases cooling by speeding up water flow and fan speed. This helps at critical low speed driving where most overheating occurs.

Transplanted into 1965-1969 Cars V-Belt Pulley Sets, 289-302-351W



Requires: Factory 4 bolt damper only Passenger side lower radiator hose **Note: Damper face to water pump flange face 3"**

Fluid Damper 4 Bolt Applications use:
#1532 1V crank pulley 5.5" **#1535** 2V crank pulley 5.5"
#1539 3V crank pulley 5.5" Use with standard water pump pulley, and alternator pulley #'s listed below

Performance Ratios							
Set #	Crank Pulley	Water Pump Pulley	Alternator Pulley with nose cover	Price	Optional P/S pulley 302 C.I.	Optional P/S pulley 351 C.I.	Optional alternator fan
1615	1V	1V	1V	\$241.68			221
1635	2V	2V	1V	\$272.61	1V #504	1V #502	221
1695	3V	2V	1V	\$280.82	1V #504	1V #502	221

High Water Flow Ratios							
Set #	Crank Pulley	Water Pump Pulley	Alternator Pulley with nose cover	Price	Optional P/S pulley 302 C.I.	Optional P/S pulley 351 C.I.	Optional alternator fan
1617	1V	1V	1V	\$241.68			221
1637	2V	2V	1V	\$272.61	1V #504	1V #502	221
1697	3V	2V	1V	\$280.82	1V #504	1V #502	221

Optional: Water pump pulley nose cover #312.

1615 Set Drives: W/P, Alt.,

- 1614 1-Groove Crank Pulley 5 1/2"
- 1552 1-Groove W/P Pulley 6"
- 137 1-Groove Alt. Pulley w/Cover 2 11/16"

1635 Set Drives: W/P, Alt., P.S.

- 1545 2-Groove Crank Pulley 5 3/4"
- 1562 2-Groove W/P Pulley 6"
- 137 1-Groove Alt. Pulley w/Cover 2 11/16"

1695 Set Drives: W/P, Alt., P.S., A/C

- 1547 3-Groove Crank Pulley 5 3/4"
- 1562 2-Groove W/P Pulley 6"
- 137 1-Groove Alt. Pulley w/Cover 2 11/16"

1617 Set Drives: W/P, Alt.,

- 1614 1-Groove Crank Pulley 5 1/2"
- 1553 1-Groove W/P Pulley 5"
- 137 1-Groove Alt. Pulley w/Cover 2 11/16"

1637 Set Drives: W/P, Alt., P.S.

- 1545 2-Groove Crank Pulley 5 3/4"
- 1563 2-Groove W/P Pulley 5"
- 137 1-Groove Alt. Pulley w/Cover 2 11/16"

1697 Set Drives: W/P, Alt., P.S., A/C

- 1547 3-Groove Crank Pulley 5 3/4"
- 1563 2-Groove W/P Pulley 5"
- 137 1-Groove Alt. Pulley w/Cover 2 11/16"



Ford "FE" 390-427-428 c.i. V-belt Pulley Sets



Performance Ratios						
Set #	Crank Pulley	W/P Pulley	Alt. Pulley with nose cover	Price	Optional P/S pulley	Optional Alt. fan
1910	1V	1V	1V	\$222.08		221
1930	2V	2V	1V	\$248.82	See Page 74	221
1950	3V	2V	1V	\$269.35	See Page 74	221

High Water Flow Ratios						
Set #	Crank Pulley	W/P Pulley	Alt. Pulley with nose cover	Price	Optional P/S pulley	Optional Alt. fan
1905	1V	1V	1V	\$222.08		221
1925	2V	2V	1V	\$248.82	See Page 74	221
1945	3V	2V	1V	\$269.35	See Page 74	221

Optional: Water pump pulley nose cover #312.

1910 Set Drives: W/P, Alt.,

- 1911 1-Groove Crank Pulley 5 1/2"
- 1912 1-Groove W/P Pulley 6 3/4"
- 137 1-Groove Alt. Pulley 2 11/16"

1930 Set Drives: W/P, Alt., P.S.

- 1931 2-Groove Crank Pulley 5 1/2"
- 1932 2-Groove W/P Pulley 6 3/4"
- 137 1-Groove Alt. Pulley w/Cover 2 11/16"

1950 Set Drives: W/P, Alt., P.S., A/C

- 1951 3-Groove Crank Pulley 5 1/2"
- 1932 2-Groove W/P Pulley 6 3/4"
- 137 1-Groove Alt. Pulley w/Cover 2 11/16"

1905 Set Drives: W/P, Alt.,

- 1911 1-Groove Crank Pulley 5 1/2"
- 1552 1-Groove W/P Pulley 6"
- 137 1-Groove Alt. Pulley 2 11/16"

1925 Set Drives: W/P, Alt., P.S.

- 1931 2-Groove Crank Pulley 5 1/2"
- 1562 2-Groove W/P Pulley 6"
- 137 1-Groove Alt. Pulley w/Cover 2 11/16"

1945 Set Drives: W/P, Alt., P.S., A/C

- 1951 3-Groove Crank Pulley 5 1/2"
- 1562 2-Groove W/P Pulley 6"
- 137 1-Groove Alt. Pulley w/Cover 2 11/16"

Designed For: • Engines without casted V-Groove in damper **Note: Damper face to water pump flange face 2 3/8"** May not fit with aftermarket dampers. Call March tech for verification.

"FE" Fluid Damper Applications use:

#1971 1V crank pulley #1973 2V crank pulley #1975 3V crank pulley. Use with standard water pump and alternator pulley #'s listed below

Ford 429-460 c.i. V-belt Pulley Sets



Performance Ratios						
Set #	Crank Pulley	W/P Pulley	Alt. Pulley with nose cover	Price	Optional P/S pulley for Ford corporate pumps	Optional Alt. fan
1810	1V	1V	1V no cover	\$238.52		221
1830	2V	1V	1V	\$249.95	#502 1V	221
1850	3V	2V	1V	\$280.79	#502 1V	221

High Water Flow Ratios						
Set #	Crank Pulley	W/P Pulley	Alt. Pulley with nose cover	Price	Optional P/S pulley for Ford corporate pumps	Optional Alt. fan
1815	1V	1V	1V no cover	\$238.52		221
1825	2V	1V	1V	\$249.95	#502 1V	221
1855	3V	2V	1V	\$280.79	#502 1V	221

Optional: Water pump pulley nose cover #318.

1810 Set Drives: W/P, Alt.,

- 1811 1-Groove Crank Pulley 5 3/4"
- 1812 1-Groove W/P Pulley 6"
- 147 1-Groove Alt. Pulley 2 11/16"

1830 Set Drives: W/P, Alt., P.S.

- 1831 2-Groove Crank Pulley 5 3/4"
- 1812 1-Groove W/P Pulley 6"
- 145 1-Groove Alt. Pulley w/Cover 2 11/16"

1850 Set Drives: W/P, Alt., P.S., A/C

- 1851 3-Groove Crank Pulley 5 3/4"
- 1832 2-Groove W/P Pulley 6 1/4"
- 145 1-Groove Alt. Pulley w/Cover 2 11/16"

1815 Set Drives: W/P, Alt.,

- 1811 1-Groove Crank Pulley 5 3/4"
- 1813 1-Groove W/P Pulley 5 1/4"
- 147 1-Groove Alt. Pulley 2 11/16"

1825 Set Drives: W/P, Alt., P.S.

- 1831 2-Groove Crank Pulley 5 3/4"
- 1813 1-Groove W/P Pulley 5 1/4"
- 145 1-Groove Alt. Pulley w/Cover 2 11/16"

1855 Set Drives: W/P, Alt., P.S., A/C

- 1851 3-Groove Crank Pulley 5 3/4"
- 1833 2-Groove W/P Pulley 5 1/4"
- 145 1-Groove Alt. Pulley w/Cover 2 11/16"

Requires: Factory 4 bolt damper 1970 or newer water pump **Note: Damper face to water pump flange face 3 1/16"**



Matching Alternator, Water Pumps, Power Steering Pumps, A/C Compressors, Etc..... See Pages 71-76



If You Need Help Choosing Parts Let Our Experienced Technical Staff Help 1-888-729-9070 www.marchperf.com

"Style Track" or "Revolver" Serpentine Drive Kits

Alternator, Air Conditioning and Power Steering

FORD
289/302/351W



Available In
CHROME!



Shown with
Optional
418-06 A/C
Manifold

Shown In
Chrome

March Performance new All Billet Aluminum Style Track serpentine system for Ford motors are created with a combination of style and low price that is sure to find favor among car enthusiasts everywhere. The highly styled one piece alternator and air conditioning bracket provides a rigid support for the alternator and A/C compressor; a separate bracket allows the option of power steering or no power steering. Kit # 30480 is perfect for those who do not require A/C, comes with Chrome Alternator and Power Steering Pump

This new Style Track makes use a unique easy to use belt tension adjustment tool. Once the belt tension has been set, the adjustment tool is easily removed and stowed away until the next time the belt requires adjustment. As a result, the Style Track displays a much cleaner appearance.

Application: Ford 289, 302, 351 Windsor. Uses 1994 -1995 Ford short water pump for the ultimate in radiator clearance. **Requires 90 degree thermostat housing and the use of an electric fuel pump and a pan mounted side dip stick tube**

Kit Includes: • 105 Amp Chrome Alternator, • Alternator pulley with fan and nose cover • Matching Chrome Sanden A/C compressor • A/C Cover • Aluminum short Water pump and timing cover with Hardcoated pulley • Alternator and A/C Brackets • Chrome Canister Style P/S Pump (Kit 30480) • Crank pulley (Larger Dia for better accessory drive) • Belt Tensioning Tool • All mounting hardware

Kits with remote power steering include: • Power steering pulley with nose cover • Power steering pump • Bracket with mounting hardware.

Optional Accessories: • #450 Billet Aluminum remote power steering reservoir • Power Steering lines for remote power steering (Please Call) • 140amp or 320 amp Alternator • Stainless Braided Power Steering Line Kits • #418-06 Chrome A/C Manifold • P648 Polished Stainless Fasteners (kit 30480) P649 Polished Stainless Fasteners (kits 30410, 30420, 30485, 30490)

Now With Drivers or Passenger
Side Power Steering

Our larger diameter crank pulley aids
in driving your alternator, A/C, and
water pump at idle where it counts.



Kit # 30480 with Chrome Alternator
and Chrome Canister Style Power
Steering Pump

Revolver

CLEAR
Powder Coated
NO Polishing Required

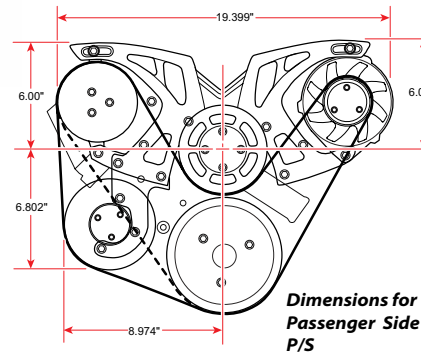


Made in
the USA

Complete Quality Components

Style Track (includes Ford timing cover and water pump)								
Kit #	Drives	Alt.	W/P	A/C	Remote Power Steering	Canister Power Steering	Belt Size	Price
30410		Yes	Yes	Yes			57.5"	\$1,758.49
30420		Yes	Yes	Yes	Yes (Passenger Side)		59.5"	\$2,089.24
30480		Yes Chrome	Yes			Yes Chrome	56.3"	\$1,627.50
30485		Yes	Yes	Yes			63"	\$1,758.49
30490		Yes	Yes	Yes	Yes (Drivers Side)		65.5"	\$2,089.24
Revolver (includes Ford timing cover and water pump)								
30465		Yes	Yes	Yes			63"	\$1,758.49
30470		Yes	Yes	Yes	Yes (Drivers Side)		65.5"	\$2,089.24
Type of Accessories	105 Amp Chrome Alternator	Ford 94-95 Short Water pump	Sanden 7176 Compressor	Type 2 Remote Pump	Chrome Canister Pump	Dayco 6 Rib		

For Chrome add "-06" to kit number..... "12345-06" • For "Black Onyx" Powder Coating, Add "-07" • For Black Powder Coating, Add "-08"



Dimensions for
Passenger Side
P/S

Matching Alternator, Water Pumps, Power Steering Pumps, A/C Compressors, Etc..... See Pages 71-76

"Sport-Track" All Inclusive Serpentine Kits

FORD
289/302/351W

Alternator, Air Conditioning and Power Steering



**All Inclusive
March Quality and
Innovation for the
Budget Engine Builder**

Designed for the budget minded builder with the same March Performance quality and innovation as our Style Track kits. Complete with pulleys and a strong compact one piece combination alternator and A/C bracket, manufactured from 6061-T6 billet aluminum but with a more economical Silver or Black finish.

Top brand name accessories such as Sanden and Tuff Stuff. No Slip operation. Replaces your low performance V-belts, pulleys. Simple to bolt on! Eliminates belt throwing. Larger crank pulley aids in driving your alternator, A/C and water pump for better cooling and improved charging during low speed driving. CNC machined from solid billet 6061-T6 aluminum. All accessories including Alternator, A/C compressor, power steering unit, water pump, pulleys, brackets and all mounting hardware.

Note: Ultra Kit Includes Chrome Alt And A/C With Nose Covers And Clear Powder Coat .

Application: Ford 289, 302, 351 Windsor. Uses 1994 -1995 Ford short water pump for the ultimate in radiator clearance. Requires 90 degree thermostat housing and the use of an electric fuel pump and a pan mounted side dip stick tube

Kit Includes: • 105 Amp Alternator Satin (Chrome In Ultra Kit) • Alternator pulley with fan • Sanden A/C Compressor Satin (Chrome In Ultra Kit) • Alternator pulley with fan • Aluminum short Water pump and timing cover • Water pump pulley • Alternator /A/C Brackets • Crank pulley (Larger Dia for better accessory drive) • Belt Tensioning Tool • All mounting hardware

Kits with remote power steering include: • Power steering pulley • Power steering pump • Bracket with mounting hardware.

Optional Accessories: • Power Steering lines for remote power steering (Please Call) • 140amp or 320 amp Alternator • Stainless Braided Power Steering Line Kits



Silver or Black

Powder Coated
NO Polishing Required

Our larger diameter crank pulley aids in driving your alternator, A/C, and water pump at idle where it counts.

Optional Accessories for this Kit.
See Accessory pages for more info



Ford 289 - 351 Windsor

Kit # Drives	Alt.	W/P	A/C	Remote P/S	Belt Size	PRICE
31110 (Ultra Kit Clear Powder Coat)	Yes	Yes	Yes	-	Call	
31120 (Ultra Kit Clear Powder Coat)	Yes	Yes	Yes	Yes	Call	
31100-09 (Silver Face Plate)	Yes	Yes	Yes	-	Call	\$1,560.00
31100-08 (Black Face Plate)	Yes	Yes	Yes	-	Call	\$1,560.00
31105-09 (Silver Face Plate)	Yes	Yes	Yes	Yes	Call	\$1,906.75
31105-08 (Black Face Plate)	Yes	Yes	Yes	Yes	Call	\$1,906.75
Type of Accessories	105 Amp Alternator.	Ford 94-95 Short Water pump	Sanden 7176 Compressor	Type 2 Remote Pump	Dayco 6 Rib	

Matching Alternator, Water Pumps, Power Steering Pumps, A/C Compressors, Etc..... See Pages 71-76



If You Need Help Choosing Parts Let Our Experienced Technical Staff Help 1-888-729-9070 www.marchperf.com

"Ultra" Serpentine Drive Kits

Passenger Side Mid Mount Air Conditioning, Alternator and Power Steering

This great looking new compact serpentine drive kit mounts the A/C unit low and under the alternator using a unique one piece bracket.

Designed to fit both carb and fuel injection motors with reverse rotation water pumps. Two power steering brackets are available, one for mounting your standard Ford Mustang pump unit or you can get a bracket for mounting a Canister Style pump. Looks fantastic with March Performance own billet aluminum Saginaw Canister style power steering pump and billet alternator.

Kit comes complete with stainless steel tensioning rods and chrome moly rod ends for high performance operation. All necessary hardware included. Matching serpentine pulleys are precision CNC machined

Application: Requires reverse rotation water pump on kits with P/S and A/C with 3.25" from balancer face to water pump mounting flange face. **Requires 90 degree thermostat housing.**

Kit Includes: • Combination Alternator/A/C bracket with idler, tensioners and hardware Non A/C kits have alternator only bracket without idler • Crank pulley, water pump pulley with nose cover • Alternator pulley with fan and nose cover • Power steering kit includes bracket kit for Ford or Canister pump unit and pulley • Tensioning rod and rod ends • Grade 8 mounting hardware

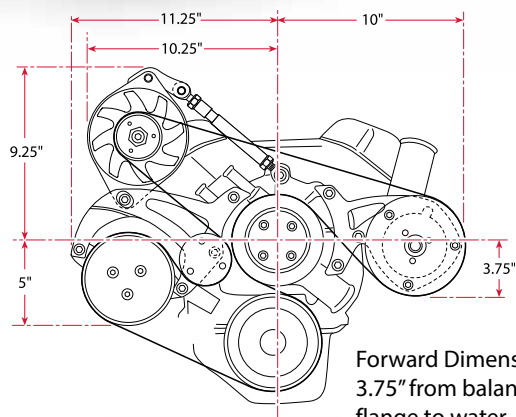
Optional Accessories: • #9665 March billet alternator • #9600 Canister style billet power steering pump, for kits #30127, #30168 and #30388 • #P304 Chrome Canister power steering pump • #360 Power Steering Nose Cover (Page 74) • P417 A/C Manifold • Stainless Braided Power Steering Line Kits

FORD
289/302/351W

Shown with Futura Air Cleaner



Standard Ford power steering pump bracket



Ford 289-302

Kit #Drives	Alt.	A/C	W/P	Ford P/S	Canister Style P/S	Belt Sizes	Price
30126	YES		YES	YES		70.5"	\$585.28
30127	YES		YES		YES	71.5"	\$589.29
30167	YES	YES	YES	YES		85.5"	\$796.71
30168	YES	YES	YES		YES	86.5"	\$789.35

Ford 351 Windsor

30326	YES		YES	YES			\$605.85
30327	YES		YES		YES		\$610.05
30387	YES	YES	YES	YES		87"	\$817.61
30388	YES	YES	YES		YES	88.5"	\$810.80

Type of Accessories	Ford 6-12 o'clock mounting or March P560 Alt.	Sanden 7176 serpentine A/C Compressor or March P411	87-93 Mustang Reverse rotation W/P, or *standard rotation on kit 30106	1978-95 Mustang P/S pump	1966-74 Canister Style keyway pump or March Billet Canister Style Pump	Dayco 6 Rib
---------------------	---	---	--	--------------------------	--	-------------

For Black Powder Coating, Add "-08" to kit number..... "12345-08"



Matching Alternator, Water Pumps, Power Steering Pumps, A/C Compressors, Etc..... See Pages 71-76

"Deluxe" Serpentine Drive Kits

FORD
289/302/351W

Alternator Only, AC optional Power Steering

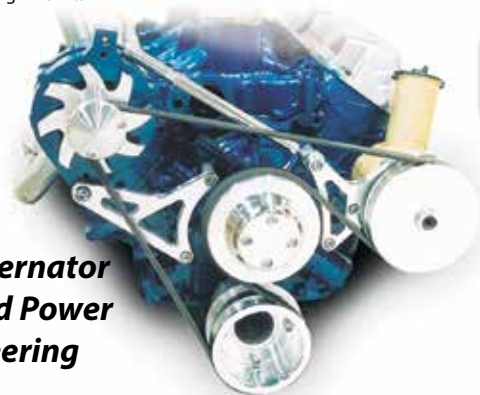
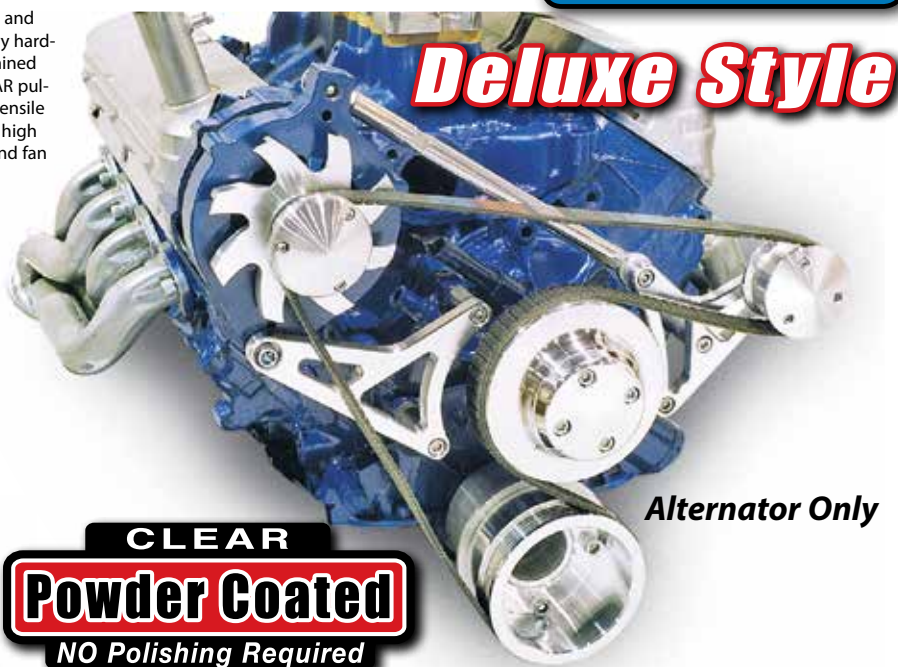
This bracket kit comes complete with stainless steel tensioning rods and chrome moly rod ends for high performance operation. All necessary hardware included. Matching serpentine pulleys are precision CNC machined from 6061-T6 aluminum. This is the same material we use for NASCAR pulleys! These pulleys will not fracture like common cast pulleys. High tensile strength means much longer wear. We go as far as hard coating the high wear areas on our pulleys! Our street rod ratio increase water flow and fan speed. This helps at critical low speed driving.

Applications All of these kits require a 90° angle thermostat housing. These kits also require the use of a water pump and radiator with a drivers side lower radiator hose.

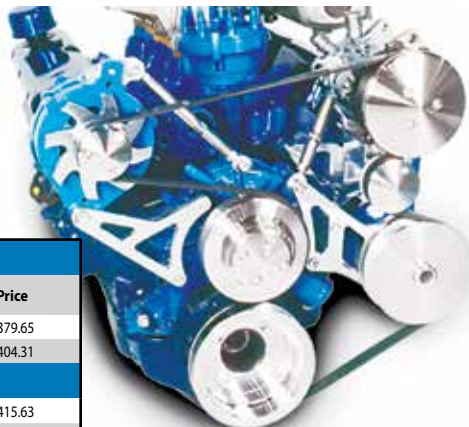
Some kits may require crank pulley spacers. Must use electric fuel pump with kits that include power steering

Kit Includes: • Alternator bracket and tensioner • Crank pulley • Water pump pulley with nose cover • Alternator pulley with fan and nose cover • Reverse rotation alternator only kit includes idler bracket and idler pulley • Power steering kit includes bracket and pulley • A/C kits include bracket, idler and A/C clutch cover • Grade 8 mounting hardware

Optional: • 360 P/S Nose Cover • Stainless Braided Power Steering Line Kits



BILLET ALTERNATOR & BILLET POWER STEERING PUMP AVAILABLE
See Accessories Page 48 & 49



Standard Rotation Aluminum Water Pump

289-302 (5.0) C.I.					
Kit type	Kit #Drives	Alternator	Water Pump	Belt Size	Price
Performance	30100	YES	YES	40"	\$379.65
High Water Flow	30105	YES	YES	42.5"	\$404.31
351 C.I. Windsor					
Performance	30300	YES	YES	41.5"	\$415.63
High Water Flow	30305	YES	YES	44.5"	\$440.93
Type of Accessories	1979-93 Mustang Alt. 6-12 o'clock mounting	Ford Racing M8501-G351 Water Pump	Dayco 6 rib		

Reverse Rotation Water Pump

289-302 (5.0) C.I.								
Kit type	Kit #Drives	Alternator	Water Pump	P/S	Idler	A/C	Belt Size	Price
Performance	30115	YES	YES		YES		61"	\$509.18
Performance	30130	YES	YES	YES			67.5"	\$544.57
High Water Flow	30120	YES	YES		YES		60"	\$533.28
High Water Flow	30125	YES	YES	YES			70.5"	\$569.02
High Water Flow	30135	YES	YES			YES	69"	\$603.91
High Water Flow	30140	YES	YES	YES		YES	76"	\$826.60
351 C.I. Windsor								
Performance	30310	YES	YES		YES		59"	\$542.14
Performance	30320	YES	YES	YES			69.5"	\$592.73
High Water Flow	30315	YES	YES		YES		65"	\$567.41
High Water Flow	30325	YES	YES	YES			72.5"	\$618.02
High Water Flow	30330	YES	YES	YES		YES	77"	\$826.60
High Water Flow	30335	YES	YES			YES	70.5"	\$603.91
Type of Accessories	Ford 6-12 O'clock mounting or March P560 alt.	1979-93 reverse-rotation W/P, drivers side inlet	1978-95 Mustang P/S pump	With Kit	Sanden #508 A/C Compressor	Dayco 6 rib		

Aftermarket Balancer Spacers

289/302/351W using OE 3 bolt balancer use crank pulley spacer #1432\$75.94
 289/302/351W using Fluid Damper (28 oz.) use crank pulley spacer #1431\$69.62
 289/302/351W using Ford SVO, Summit balancers use crank pulley spacer #1433\$75.94
 289/302/351W using Professional Products balancers use crank pulley spacer #1434.....\$75.94
 1979-95 Mustang 5.0 engines using stock or Fluid Damper (50 oz.) do NOT require spacers

For Black Powder Coating, Add "-08" to kit number..... "12345-08"

Matching Alternator, Water Pumps, Power Steering Pumps, A/C Compressors, Etc..... See Pages 71-76



If You Need Help Choosing Parts Let Our Experienced Technical Staff Help 1-888-729-9070 www.marchperf.com

"Ultra" Serpentine Drive Kits

Alternator Only, AC optional Power Steering
Standard Rotation Water Pump

Ultra Style

Precision CNC machined from solid billet 6061-T6 aluminum to fit perfectly and handle high torque and vibration. This bracket kit comes complete with stainless steel tensioning rods and chrome moly rod ends for high performance operation. All necessary hardware included. Powdercoated to eliminate polishing in those hard to reach places. Matching serpentine pulleys. High tensile strength means much longer wear. We go as far as hard coating the high wear areas on our pulleys! Our street rod ratio increase water flow and fan speed. This helps at critical low speed driving.

Kit Includes: • Alternator bracket, tensioners and hardware • Crank pulley, water pump pulley with nose cover • Alternator pulley with fan and nose cover • Power steering kit includes bracket and pulley • A/C kits include A/C bracket, idler pulley and A/C clutch cover • Grade 8 mounting hardware

289 and 302 kits with power steering require electric fuel pump If you have an aftermarket damper a crank pulley spacer may be required.

Note: 470 Billet power steering only works with Non A/C Kits



**CLEAR
Powder Coated
NO Polishing Required**

1965-1969 289-302, 351 C.I. 3 bolt damper, passenger side lower radiator hose water pump

Engine Size	Kit #Drives	Alternator	A/C	Water Pump	P/S	Saginaw Keyed P/S Pump	Belt Size	Price
289-302 c.i.	30160	YES		YES			38" alt only	\$529.42
289-302 c.i.	30161	YES	YES	YES			38"alt 50"a/c	\$721.33
289-302 c.i.	30162	YES		YES		Yes		\$795.90
289-302 c.i.	30163	YES	YES	YES		Yes		\$974.40
289-302 c.i.	30165	YES		YES	YES		38"alt 38"p.s.	\$764.68
289-302 c.i.	30166	YES	YES	YES	YES		38"alt 52"a/c&p.s.	\$956.59
351 c.i.	30360	YES		YES			40"	\$540.78
351 c.i.	30361	YES	YES	YES			40"alt 52"a/c	\$732.69
351 c.i.	30362	YES		YES		Yes		\$805.35
351 c.i.	30363	YES	YES	YES		Yes		\$983.85
351 c.i.	30365	YES		YES	YES		40"alt 40"p.s.	\$776.03
351 c.i.	30366	YES	YES	YES	YES		40"alt 53.8"a/c&p.s.	\$967.95

1969½ and later 302, 351C.I. into early 1965-69 cars 4 bolt damper, earlier passenger side lower radiator hose water pump

289-302 c.i.	30170	YES		YES			38"	\$453.48
289-302 c.i.	30171	YES	YES	YES			38"alt 50"a/c	\$645.39
289-302 c.i.	30172	YES		YES		Yes		\$719.25
289-302 c.i.	30173	YES	YES	YES		Yes		\$897.75
289-302 c.i.	30175	YES		YES	YES		38"alt 38"p.s.	\$688.76
289-302 c.i.	30176	YES	YES	YES	YES		38"alt 52"a/c&p.s.	\$880.67
351 c.i.	30370	YES		YES			40"	\$464.84
351 c.i.	30371	YES	YES	YES			40"alt 52"a/c	\$656.74
351 c.i.	30372	YES		YES		Yes		\$728.70
351 c.i.	30373	YES	YES	YES		Yes		\$907.20
351 c.i.	30375	YES		YES	YES		40"alt 40"p.s.	\$700.11
351 c.i.	30376	YES	YES	YES	YES		40"alt 53.8"a/c&p.s.	\$892.02

1969½ and later 302, 351C.I. 4 bolt damper, drivers side lower radiator hose water pump

289-302 c.i.	30180	YES		YES			39"	\$453.48
289-302 c.i.	30181	YES	YES	YES			39"alt 50"a/c	\$645.39
289-302 c.i.	30182	YES		YES		Yes		\$719.25
289-302 c.i.	30183	YES	YES	YES		Yes		\$897.75
289-302 c.i.	30185	YES		YES	YES		39"alt 38"p.s.	\$688.76
289-302 c.i.	30186	YES	YES	YES	YES		39"alt 52"a/c&p.s.	\$880.67
351 c.i.	30380	YES		YES			41.5"	\$464.84
351 c.i.	30381	YES	YES	YES			41.5"alt 52"a/c&p.s.	\$656.74
351 c.i.	30382	YES		YES		Yes		\$728.70
351 c.i.	30383	YES	YES	YES		Yes		\$907.20
351 c.i.	30385	YES		YES	YES		41.5"alt 40"p.s.	\$700.11
351 c.i.	30386	YES	YES	YES	YES		41.5"alt 53.8"a/c&p.s.	\$892.02

Type of Accessories	Ford 6-12 o'clock mounting or Ford P560 Alt.	Sanden 505 or 508 serpentine A/C	standard rotation W/P	71-76 Mustang P/S pump or March P330 or 9670 Billet Pump	Saginaw keyway P/S pump	Dayco 6 rib
---------------------	--	----------------------------------	-----------------------	--	-------------------------	-------------

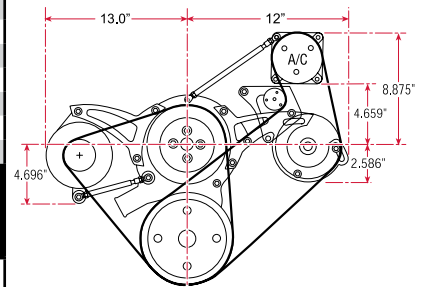
For Black Powder Coating, Add "-08" to kit number..... "12345-08"



**Billet Ford
Canister Style Pump**
See #470 on accessories Page 73



Alternator, A/C and Power Steering



Matching Alternator, Water Pumps, Power Steering Pumps, A/C Compressors, Etc..... See Pages 71-76

"Style Track" Serpentine Drive Kits

FORD
351 Cleveland

Alternator, A/C with optional Power Steering 351 Cleveland, 351 and 400 Modified

Three Idlers for "No Slip" Belt Wrap



March Performance new All Billet Aluminum Style Track serpentine system for Ford Cleveland motors is created with a combination of style and low price that is sure to find favor among car enthusiasts everywhere. The highly styled one piece alternator and air conditioning bracket provides a rigid support for the alternator and A/C compressor; a separate bracket allows the option of power steering or no power steering. Idlers provide superior belt wrap for "no-slip" operation. Best of all, the new Style Track makes use a unique easy to use belt tension adjustment tool. Once the belt tension has been set, the adjustment tool is easily removed and stowed away until the next time the belt requires adjustment. As a result, the Style Track displays a much cleaner appearance.

Application: Ford 351 Cleveland, 351M and 400M.

Kit Includes: • 105 Amp Chrome Alternator • Alternator pulley with fan and nose cover • Sanden Chrome A/C compressor • A/C compressor Nose Cover • Edelbrock Aluminum Water Pump and Pulley with Nose Cover • Alternator and A/C Brackets • Idlers • Crank pulley (Larger Dia for better accessory drive) • Belt Tensioning Tool • All mounting hardware

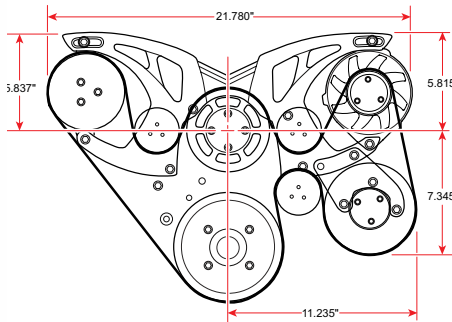
Kits with power steering include • GM Type 2 power steering pump (does not include hoses or reservoir) • Chrome or Billet Canister Style Pump (Kits #30450 and #30460) • Power steering pulley with nose cover • Idler • Bracket with mounting hardware.

Optional Accessories • #450 Billet Aluminum remote power steering reservoir, (See Page 73) • Stainless Braided Power Steering Line Kit (see Page 73) • 140 or 320 Amp Alternator • #418-06 Chrome A/C Manifold • P641 Polished Stainless Fasteners (kits 30430 , 30440) P642 Polished Stainless Fasteners (kits 30450 ,30460)

CLEAR
Powder Coated
NO Polishing Required

Our larger diameter crank pulley aids in driving your alternator, A/C, and water pump at idle where it counts.

#30450 with Chrome Alternator & Power Steering



Complete Quality Components

Ford 351 Cleveland, 351 and 400 Modified (includes Idlers for superior belt wrap)							
Kit # Drives	Alt.	W/P	A/C	Remote Power Steering	Canister Style Power Steering	Belt Size	Price
30430	Yes	Yes	Yes			65.5"	\$1,758.49
30440	Yes	Yes	Yes	Yes		78"	\$2,089.24
30450 Chrome	Yes Chrome	Yes			Yes Chrome	67.5"	\$1,748.25
30460 Billet	Yes Billet	Yes			Yes Billet	67.5"	\$1,974.00
Type of Accessories	105 Amp Chrome Alternator	Ford Cleveland Water Pump	Sanden 7176 Compressor	Type 2 Remote Pump	Chrome Canister Style pump or our own Billet Pump	Dayco 6 Rib	

For Chrome add "-06" to kit number..... "12345-06" • For "Black Onyx" Powder Coating, Add "-07" • For Black Powder Coating, Add "-08"

351 Cleveland Brackets

Cleveland V-Belt Alternator Bracket

Billet aluminum, complete with stainless steel adjusting rod. For Ford 1G style alternators. Alt bracket only use with pulley set 1610 perf. or 1647 high water flow kits with p/s use pulley kit 1625 perf. or 1657 hwf

Part #30400 351Cleveland.....\$147.57

Cleveland V-Belt Power Steering Bracket

Billet aluminum, complete with stainless steel adjusting rod. For Saginaw Style power steering pumps. Use with 510 keyed p/s pulley or 511 press fit pulley

Part #30405 351Cleveland.....\$147.57

CLEAR
Powder Coated
NO Polishing Required



Matching Alternator, Water Pumps, Power Steering Pumps, A/C Compressors, Etc..... See Pages 71-76



If You Need Help Choosing Parts Let Our Experienced Technical Staff Help 1-888-729-9070 www.marchperf.com

"FE" Serpentine Drive Kits



Alternator, Air Conditioning and Remote Power Steering

March Performance High Style and Low Cost for the Ford FE Motor

Rigid one piece design bracket provides a perfect Alternator, A/C and Power Steering solution for your Ford FE motor. Style Track makes use of a unique easy to use belt tension adjustment tool. Once the belt tension has been set, the adjustment tool is easily removed and stowed away. As a result, Style Track displays a much cleaner appearance. Three idlers ensure optimum no-slip belt wrap. Our Alternator and Power Steering only kit is great for those not running A/C.

Application: Ford FE **NOTE: Requires 3 Bolt Balancer Without Casted V Groove.**

Kit Includes: ● 105 Amp Chrome Alternator ● Alternator pulley with fan and nose cover ● Matching Chrome Sanden A/C compressor ● Aluminum Edelbrock Water pump and pulley ● Crank pulley ● Idlers ● Belt Tensioning Tool ● All mounting hardware

Kits with power steering include: ● GM Type 2 power steering pump (does not include hoses or reservoir) ● Or Saginaw Canister style Pump ● Power steering pulley with nose cover ● Bracket with mounting hardware.

Optional: ● #450 Billet Remote Power Steering Reservoir ● Stainless Braided Power Steering Hose Kits ● 418-06 Chrome A/C Manifold ● 140 or 320 amp Alternator ● P646 Polished Stainless Fasteners (kits 19050, 19055) P647 Polished Stainless Fasteners (kits 19040, 19045)



Alternator & Power Steering Only Kit, Shown with Billet Alternator



Billet Canister Style P/S Pump Kit #19045

Kit # Drives	Alt.	W/P	A/C	Remote P/S	Canister Style P/S	Belt Size	Price
19050	Yes	Yes	Yes	Yes		81.5"	\$2,089.24
19055	Yes	Yes	Yes			64.5"	\$1,758.49
19040	Yes Chrome	Yes			Yes Chrome	63"	\$1,748.25
19045	Yes Billet	Yes			Yes Billet	63"	\$1,974.00
Type of Accessories	105 Amp Chrome Alt.		Sanden 7176 Compressor	Type 2 Remote Pump	Keyed Canister Style Pump	Dayco 6 Rib	

For Chrome add "-06" to kit number..... "12345-06" • For "Black Onyx" Powder Coating, Add "-07" • For Black Powder Coating, Add "-08"



Ford "FE" Ultra Style Serpentine Kit Alternator, Optional Mid Mount A/C and Optional Power Steering

Compact serpentine drive kit mounts the A/C unit low and under the alternator using a unique one piece bracket. Power steering brackets are available for mounting a Canister style pump. Looks fantastic with March Performance own billet aluminum Canister style power steering pump and billet alternator. Kit comes complete with stainless steel tensioning rods and chrome moly rod ends for high performance operation. All necessary hardware included.

Application: Ford FE. **Requires use of a 3 bolt balancer w/o casted v groove**

NOTE: Requires modification of rear A/C compressor mounting ear.

Kit Includes: ● Combination Alternator/A/C bracket with idler, tensioners and hardware Non A/C kits have alternator only bracket without idler ● A/C Nose Cover ● Crank pulley, water pump pulley with nose cover ● Alternator pulley with fan and nose cover ● Power steering kit includes bracket kit for Canister Style pump unit and pulley ● Tensioning rod and rod ends ● Grade 8 mounting hardware

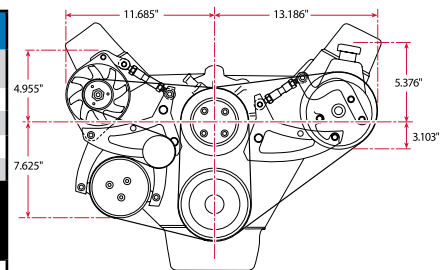
Optional Accessories: ● #9665 March billet alternator ● #9600 Canister style billet power steering pump. ● #P304 Chrome Canister Style power steering pump ● #360 Power Steering Nose Cover (Page 74) ● Stainless braided power steering line kits



Non A/C Kit

Kit #Drives	Alt.	A/C	W/P	Canister Style P/S	Alt.. A/C Belt Size	P/S Belt Size	Price
19020	YES		YES		45"		\$428.12
19025	YES		YES	YES	45"	49"	\$689.24
19030	YES	YES	YES	YES	54.8"	49"	\$844.81
19035	YES	YES	YES		54.8"		\$686.97
Type of Accessories	Ford 6-12 o'clock mounting 6" or 7" diameter Alt. or March Billet alt.	Sanden 7176 serpentine A/C Compressor or March P-411	Ford FE	1966-74 Canister Style keyway pump or March Billet Canister Style Pump	Dayco 6 Rib	Dayco 6 Rib	

For Black Powder Coating, Add "-08" to kit number..... "12345-08"



Matching Alternator, Water Pumps, Power Steering Pumps, A/C Compressors, Etc..... See Pages 71-76



"Style Track" Serpentine Drive Kits

FORD
429-460 c.i.

Alternator With Optional A/C and Optional Power Steering March Performance has created a Style Track kit just for the Ford Big Block 429ci and 460ci motor!

The highly styled one piece bracket provides a rigid support for the alternator and A/C compressor; a separate bracket allows the option of power steering or no power steering.

Makes use of a unique easy to use belt tension adjustment tool. Once the belt tension has been set, the adjustment tool is easily removed and stowed away until the next time the belt requires adjustment.

Application: Application: Ford 429 and 460ci Big Block motors.

Kit Includes: • 105 Amp Chrome Alternator • Alternator pulley with fan and nose cover • Matching Chrome Sanden A/C compressor • A/C compressor Nose Cover • Edelbrock Aluminum Water Pump • Water Pump Pulley with Nose Cover • Alternator and A/C Brackets • Idlers • Crank pulley (Larger Dia for better accessory drive) • Belt Tensioning Tool • All mounting hardware

Kits with power steering include: • Bracket with mounting hardware. • GM Type 2 power steering pump (does not include hoses or reservoir) • Chrome or Billet Canister Style Pump (Kits #30280 and #30285) • Power steering pulley with nose cover • Idler • Bracket with mounting hardware.

Optional Accessories: • #450 Billet Aluminum remote power steering reservoir, (See Page 73) • 418-06 Chrome A/C Manifold • 140 amp or 320 amp Alternator • P644 Polished Stainless Fasteners (kits 30270,30275) P645 Polished Stainless Fasteners (kits 30280,30285)



Shown In
Chrome

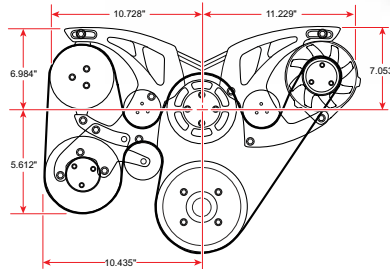
Three Idlers
for "No Slip"
Belt Wrap

Shown with Optional
418-06 Chrome A/C
Manifold

Available In
CHROME!



Alternator & Power Steering #30280 with Chrome Alt. and P/S



Complete Quality Components

Ford 429/460ci (includes Idlers for superior belt wrap)

Kit # Drives	Alt.	W/P	A/C	Remote P/S	Canister P/S	Belt Size	Price
30270	Yes	Yes	Yes			70"	\$1,758.49
30275	Yes	Yes	Yes	Yes		79.5"	\$2,089.24
30280	Yes Chrome	Yes			Yes Chrome	68.5"	\$1,748.25
30285	Yes Billet	Yes			Yes Billet	68.5"	\$1,974.00
Type of Accessories	105 Amp Chrome Alternator	Edelbrock aluminum water pump	Sanden 7176 Compressor	Type 2 Remote Pump	Chrome Canister Style pump or March Billet Canister Style Pump	Dayco 6 Rib	

For Chrome add "-06" to kit number..... "12345-06" • For "Black Onyx" Powder Coating, Add "-07" • For Black Powder Coating, Add "-08"

Ultra Style Standard mount design for the Ford Big Block 429-460 motor.

Application: Application: Ford 429 and 460ci Big Block motors.

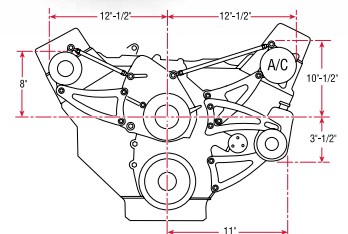
Kit Includes: • Alternator bracket, tensioners and hardware • Crank pulley, water pump pulley with nose cover • Alternator pulley with fan and nose cover • Power steering kit includes bracket and pulley • A/C kit includes bracket, tensioner, idler pulley and clutch cover • Grade 8 mounting hardware

Requires 1970 and up water pump and timing cover and 4 bolt damper.

Ford 429-460 C.I. Serpentine Drive Kits

Kit #Drives	Alt.	A/C	W/P	Canister Style Keyway P/S Pump	Canister Style Press Fit P/S Pump	Alt. Belt Size	P/S A/C Belt Size	Price
30240	YES		YES			46.5"		\$419.24
30245	YES		YES	YES		46.5"	40"	\$656.59
30250	YES		YES		YES	46.5"	40"	\$656.59
30255	YES	YES	YES			46.5"	53.8"	\$644.53
30260	YES	YES	YES	YES		46.5"	61.5"	\$960.18
30265	YES	YES	YES		YES	46.5"	61.5"	\$960.18
Type of Accessories	Early Ford 6-12 o'clock mounting	Sanden 505 or 508 serpentine A/C	1970 and newer Standard rotation W/P	1966-74 keyway Canister Style pump	1975-78 press fit Canister Style pump	Dayco 6 rib	Dayco 6 rib	

For Black Powder Coating, Add "-08" to kit number..... "12345-08"



Matching Alternator, Water Pumps, Power Steering Pumps, A/C Compressors, Etc..... See Pages 71-76



If You Need Help Choosing Parts Let Our Experienced Technical Staff Help 1-888-729-9070 www.marchperf.com

V-Belt Pulleys

CHRYSLER
318/340/360 c.i.

Performance Series: Increases horsepower by reducing accessory drag. 12 h.p. at rear wheels typical. Eliminates belt throwing.

High Water Flow Ratio: Increases cooling by speeding up water flow and fan speed. This helps at critical low speed driving where most overheating occurs.

318-340-360 C.i. V-belt Pulley Sets

1970 and Later Passenger Side Lower Radiator Hose

Performance Ratio's (water pump flange to damper face 4 1/2")

Kit #Drives	Crank Pulley	W/P Pulley	Alt. Pulley with Nose Cover	Price	Optional Canister Style Keyway P/S pulley	Optional Canister Style press fit P/S pulley	Optional Federal P/S pulley
10210	1V	1V	1V	\$244.03			
10250	2V	1V	1V	\$251.28	#530 1V	#531 1V	#532 1V

(3V) See High Water Flow Ratio's Sets Below

High Water Flow Ratio's (water pump flange to damper face 4 1/2")

10225	1V	1V	1V	\$251.90			
10265	2V	1V	1V	\$263.93	#530 1V	#531 1V	#532 1V
10270	3V	1V	2V	\$262.32	#530 1V	#531 1V	#532 1V

Performance Ratio's for Fluidampr Brand Balancers with Flat Face (water pump flange to damper face 3 3/4")

10350	1V	1V	1V	\$250.49			
10370	2V	1V	1V	\$257.72	#530 1V	#531 1V	#532 1V

Optional: Water pump pulley nose cover #327.

10210 Set Drives: W/P, Alt.,

- 10011 1-Groove Crank Pulley 5 1/4"
- 10212 1-Groove W/P Pulley 6 1/2"
- 139 1-Groove Alt. Pulley w/Cover 2 3/4"

10250 Set Drives: W/P, Alt., P.S.

- 10051 2-Groove Crank Pulley 5 1/4"
- 10212 1-Groove W/P Pulley 6 1/2"
- 139 1-Groove Alt. Pulley w/Cover 2 3/4"

10225 Set Drives: W/P, Alt.,

- 10009 1-Groove Crank Pulley 6 1/2"
- 10212 1-Groove W/P Pulley 6 1/2"
- 139 1-Groove Alt. Pulley w/Cover 2 3/4"

10265 Set Drives: W/P, Alt., P.S.

- 10049 2-Groove Crank Pulley 6 1/2"
- 10212 1-Groove W/P Pulley 6 1/2"
- 139 1-Groove Alt. Pulley w/Cover 2 3/4"

10270 Set Drives: W/P, Alt., P.S., A/C

- 10271 3-Groove Crank Pulley 6 3/4"
- 10252 1-Groove W/P Pulley 6 1/2"
- 178 2-Groove Alt. Pulley w/Cover 2 3/4"

10350 Set Drives: W/P, Alt.,

- 10151 1-Groove Crank Pulley 5 1/4"
- 10212 1-Groove W/P Pulley 6 1/2"
- 139 1-Groove Alt. Pulley w/Cover 2 3/4"

10370 Set Drives: W/P, Alt., P.S.

- 10171 2-Groove Crank Pulley 5 1/4"
- 10212 1-Groove W/P Pulley 6 1/2"
- 139 1-Groove Alt. Pulley w/Cover 2 3/4"



Using American
6061 T6 Aluminum

273-318-340 C.i. V-belt Pulley Sets

1967-1969 Drivers Side Lower Radiator Hose

Performance Ratio's (water pump flange to damper face 3 3/4")

Kit #Drives	Crank Pulley	W/P Pulley	Alt. Pulley with Nose Cover	Price	Optional Canister Style Keyway P/S pulley	Optional Canister Style press fit P/S pulley	Optional Federal P/S pulley
10215	1V	1V	1V	\$256.67			
10255	2V	1V	1V	\$251.28	#530 1V	#531 1V	#532 1V

Optional: Water pump pulley nose cover #327.

10215 Set Drives: W/P, Alt.,

- 10091 1-Groove Crank Pulley 5 1/2"
- 10012 1-Groove W/P Pulley 6 3/4"
- 139 1-Groove Alt. Pulley w/Cover 2 3/4"

10255 Set Drives: W/P, Alt., P.S.

- 10093 2-Groove Crank Pulley 5 1/2"
- 10012 1-Groove W/P Pulley 6 3/4"
- 139 1-Groove Alt. Pulley w/Cover 2 3/4"

383-440 C.i. and Crate Hemi V-belt Pulley Sets

Performance Ratio's (water pump flange to damper face 4 1/4")

Kit #Drives	Crank Pulley	W/P Pulley	Alt. Pulley with Nose Cover	Price	Optional Canister Style Keyway P/S pulley	Optional Canister Style press fit P/S pulley	Optional Federal P/S pulley
10010	1V	1V	1V	\$244.03			
10050*	2V	2V (replaces 1V)	1V	\$258.13	#530 1V	#531 1V	#532 1V

(4V) See High Water Flow Ratio's Sets Below

High Water Flow Ratio's (water pump flange to damper face 4 1/4")

10015	1V	1V	1V	\$256.67			
10075	2V	2V (replaces 1V)	1V	\$262.90	#530 1V	#531 1V	#532 1V
10070	4V	1V	2V	\$258.05	#530 1V	#531 1V	#532 1V

Performance Ratio's for Fluidampr Brand Balancers with Flat Face (water pump flange to damper face 3 1/2")

10150	1V	1V	1V	\$250.49			
10170	2V	2V (replaces 1V)	1V	\$257.44	#530 1V	#531 1V	#532 1V

NOTE: Fluid Damper with recessed face use standard pulley kits **Optional:** Water pump pulley nose cover #327.

10010 Set Drives: W/P, Alt.

- 10011 1-Groove Crank Pulley 5 1/4"
- 10012 1-Groove W/P Pulley 6 3/4"
- 139 1-Groove Alt. Pulley w/Cover 2 3/4"

10050* Set Drives: W/P, Alt., P.S.

- 10051 2-Groove Crank Pulley 5 1/4"
- 10052 2-Groove W/P Pulley 6 3/4"
- 139 1-Groove Alt. Pulley w/Cover 2 3/4"

10015 Set Drives: W/P, Alt.,

- 10009 1-Groove Crank Pulley 6 1/2"
- 10012 1-Groove W/P Pulley 6 3/4"
- 139 1-Groove Alt. Pulley w/Cover 2 3/4"

10075* Set Drives: W/P, Alt., P.S.

- 10049 2-Groove Crank Pulley 6 1/2"
- 10052 2-Groove W/P Pulley 6 3/4"
- 139 1-Groove Alt. Pulley w/Cover 2 3/4"

10070 Set Drives: W/P, Alt., P.S., A/C

- 10071 4-Groove Crank Pulley 6 1/4"
- 10072 1-Groove W/P Pulley 6 3/4"
- 178 2-Groove Alt. Pulley w/Cover 2 3/4"

10150 Set Drives: W/P, Alt.

- 10151 1-Groove Crank Pulley 5 1/4"
- 10012 1-Groove W/P Pulley 6 3/4"
- 139 1-Groove Alt. Pulley w/Cover 2 3/4"

10170* Set Drives: W/P, Alt. P.S.

- 10171 2-Groove Crank Pulley 5 1/4"
- 10052 2-Groove W/P Pulley 6 3/4"
- 139 1-Groove Alt. Pulley w/Cover 2 3/4"

* This set replaces standard single groove water pump with 2 groove to prevent power steering belt from rubbing on water pump pulley.

O.E. Hemi's Call !!!



Matching Alternator, Water Pumps, Power Steering Pumps, A/C Compressors, Etc..... See Pages 71-76

Mopar Serpentine Pulley Sets

CHRYSLER
318/340/360 c.i.

318, 340, 360, 383, 440, C.I. Mopar Performance Crate Hemi

**Convert from V-Belts to Performance Serpentine Pulleys,
Prevents Belt Throwing and Increases Horse Power**

Our performance serpentine pulley set replaces your low performance V-belt pulleys while retaining your standard rotation water pump. Simple to bolt on! Increases horsepower and eliminates belt throwing. CNC from billet 6061-T6 aluminum for extra strength and wear.



318-340-360 C.I. Engines (for water pumps with passenger side lower radiator hose) (water pump flange to damper face 4 1/2")

Set #	Crank Pulley	W/P Pulley	Alt. Pulley with Nose Cover	Price	Optional Canister Style Keyway P/S pulley	Optional Canister Style press fit P/S pulley	Optional matching W/P nose cover
10300	6 rib #10301	6 rib #10302	6 rib #215	\$245.76			#327
10305	6 rib #10306	6 rib #10302	6 rib #215	\$258.05	#533 6 rib	#534 6 rib	#327

383-440 C.I. Engines + Mopar Performance Crate Hemi (water pump flange to damper face 4 1/4")

10310	6 rib #10301	6 rib #10312	6 rib #214	\$258.05			#327
10315	6 rib #10306	6 rib #10312	6 rib #214	\$258.05	#535 6 rib	#620 6 rib	#327

318-340-360 C.I. Engines Fluid Damper with Flat Face (for water pumps with passenger side lower radiator hose, water pump flange to damper face 3 3/4")

10320	6 rib #10303	6 rib #10302	6 rib #215	\$245.76			#327
10325	6 rib #10307	6 rib #10302	6 rib #215	\$258.06	#533 6 rib	#534 6 rib	#327

383-440 C.I. Engines Fluid Damper with Flat Face (water pump flange to damper face 3 1/2")

10330	6 rib #10303	6 rib #10312	6 rib #214	\$258.06			#327
10335	6 rib #10307	6 rib #10312	6 rib #214	\$258.06	#535 6 rib	#620 6 rib	#327

CLEAR
Powder Coated
NO Polishing Required

CHRYSLER
VIPER & SRT 10

Viper & SRT10 Truck Pulley Kits

Stock diameters, polished billet aluminum with a maintenance free clear powder coat. Hard coated on high wear areas.

1992-2004 Viper / SRT10 Truck Pulleys							
Year	Set #	Crank pulley	W/P pulley	Alt. pulley	Idler pulley	P/S pulley	Price
1992-1995 Viper	10530	10531	10532	216	712	539	\$501.15
1996-2002 Viper	10535	10531	10532	216	712	538	\$501.15
2003-2004 Viper & SRT10	10540	10536	10537	213	711	545	\$512.01



Chrysler 1991-2003 Magnum 3.9-5.2-5.9

Performance Series Increases horsepower by reducing accessory drag. 12 h.p. at rear wheels typical. Eliminates belt throwing.

Power & Amp Series Increases horsepower by reducing accessory drag. 10 h.p. at rear wheel. Design for vehicle with high amperage needs. Magnum engines only.

1991-2001 3.9, 1991-1999 5.2 and 5.9 Magnum Performance Pulleys							
Set #	Crank pulley	W/P pulley	Alt. pulley	Harmonic balancer	Price	Optional P/S pulley	
10500-08 black steel	10501-08		#210-08		\$56.78		
2000-2003 5.9 Magnum Performance Pulleys							
10505 aluminum clear	10509			9250	\$225.98		
1991-97 Performance Pulleys 3.9, 5.2 and 5.9							
10510 aluminum clear	7 rib #10511	non rib #10512	7 rib #211		\$256.58	#645 7 rib	
1991-97 Power and Amp Pulleys 3.9, 5.2 and 5.9							
10515* aluminum clear	6 rib #10509	non rib #10512	6 rib #212		\$256.58	#646 6 rib	

* Set uses 6 rib belt.

Matching Alternator, Water Pumps, Power Steering Pumps, A/C Compressors, Etc..... See Pages 71-76



If You Need Help Choosing Parts Let Our Experienced Technical Staff Help 1-888-729-9070 www.marchperf.com

Alternator & Power Steering Brackets

CHRYSLER
SMALL & BIG BLOCK

Matching "high performance" brackets with stainless steel tensioning rods for perfect belt tensioning. These high performance brackets are precision CNC machined from solid billet 6061-T6 aluminum.



383-426-440c.i. Alternator Brackets

To get belt tension perfect we supply you with high strength stainless steel tensioning rods and chrome moly rod ends. Show quality clear coated ULTRA, and economy CUSTOM with a silver powder coat.

#40020	383-400 Big Block Alternator Bracket Kit	\$120.46
#40020-09	383-400 Big Block Alternator Bracket Kit CUSTOM (Silver Powder Coat)	\$102.14
#40010	426-440 Big Block Alternator Bracket Kit	\$120.46
#40010-09	426-440 Big Block Alternator Bracket Kit CUSTOM (Silver Powder Coat)	\$102.14



318,340,360 c.i. Alternator Brackets

Performance Series 6061-T6 billet aluminum brackets are precision CNC machined for perfect fit and alignment. To get belt tension perfect we supply you with high strength stainless steel tensioning rods and chrome moly rod ends. Show quality clear coated ULTRA, and economy CUSTOM with a silver powder coat.

#40051*	318 -340-360 Small Block Alternator Bracket Kit	\$120.46
#40051-09*	318 -340-360 Small Block Alternator Bracket Kit CUSTOM (Silver Powder Coat).....	\$102.14

* For water pumps with passenger side lower radiator hose

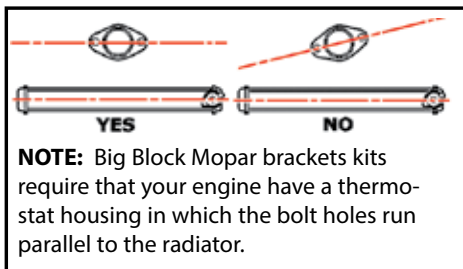
Small & Big Block Power Steering Brackets

318-340-360-383-426-440c.i.

CNC machined for perfect fit and alignment. High strength stainless steel tensioning rods and chrome moly rod ends. Show quality clear coated ULTRA, and economy CUSTOM with a silver powder coat.

#40100	383-440 Canister Style Power Steering Bracket Kit Fits 1966 - 1974 Canister Style pumps.	\$144.56
#40061*	318 -340-360 Canister Style Power Steering Kit Fits 1966 - 1977 Canister Style pumps.....	\$140.33
#40061-09*	318 -340-360 Canister Style Power Steering Kit (CUSTOM (Silver Powder Coat) Fits 1966 - 1974 Canister Style pumps.....	\$113.51

* For water pumps with passenger side lower radiator hose NOTE: 40061 Requires March #513 Keyway or #531 Press Fit Pulley V-Belt. 40100 Requires March #540 keyway V-belt P/S Pulley



CLEAR
Powder Coated
NO Polishing Required

Matching Alternator, Water Pumps, Power Steering Pumps, A/C Compressors, Etc..... See Pages 71-76

383-440 & 426 Hemi Serpentine Kits

CHRYSLER
383-440 & 426 HEMI

Alternator with Optional A/C and Optional Power Steering

Designed especially for Big Block Mopars and Hemi's this highly styled one piece bracket provides a rigid mount for the alternator and A/C compressor.

A separate bracket allows the option of power steering or no power steering. Four separate idlers guarantee the ultimate in belt to pulley contact area for sure "no slip" operation. Solves the problem of unreliable V-belt accessory drives, no more belt throwing or slipping.

Revolver and Style Track kits it makes use of a unique easy to use belt tension adjustment tool. Once the belt tension has been set, the adjustment tool is easily removed and stowed away. As a result, the Style Track displays a much cleaner appearance.

Precision CNC machined from 6061-T6 aluminum for strength and perfect fit. Hardcoated on high wear areas. Clear powdercoated to eliminate polishing in those hard to reach places.

Application: Mopar 383-440 and 426 Hemi Big Block Motors.

Kit Includes: ● 105 Amp Chrome Alternator ● Alternator pulley with fan and nose cover ● Matching Chrome Sanden A/C compressor ● Polished Water pump and pulley ● Alternator and A/C Brackets ● Idlers for maximum "no-slip" belt wrap ● Crank pulley (Larger Dia for better accessory drive) ● Belt Tensioning Tool ● All mounting hardware

Kits with power steering include: ● GM Type 2 power steering pump ● Chrome or Billet Canister Style Pump (Kits #40730 and #40735) ● Power steering pulley with nose cover ● Bracket with mounting hardware.

Optional: ● #450 Billet Remote Power Steering Reservoir ● Stainless Braided Power Steering Hose Kits ● 418-06 Chrome A/C Manifold ● 140 or 320 amp Alternator ● Polished Stainless Fastener Kits P651 (kits 40720,40725,40740,40745) P652 (kits 40730,40735)

Revolver



CLEAR
Powder Coated
NO Polishing Required

Shown with
Optional
418-06 A/C
Manifold

Billet or Chrome Alternator and Power Steering



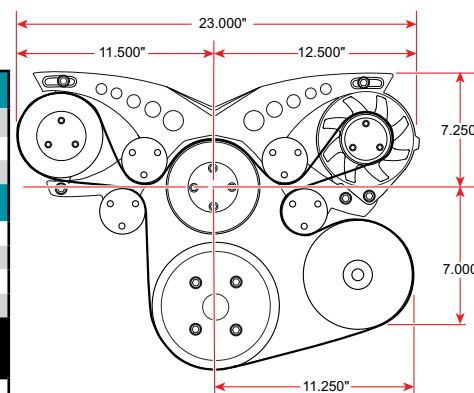
Style TRACK

Shown in
Optional
Chrome



Made in the USA

Complete Quality Components



Revolver 383-440 & 426 Hemi (4 1/4" water pump to balancer face)							
Kit #	Drives	Alt.	Water Pump	A/C	Remote P/S	Canister Style P/S	Price
40720		Yes	Yes	Yes			\$2,205.00
40725		Yes	Yes	Yes	Yes		\$2,514.75
Style Track 383-440 & 426 Hemi (4 1/4" water pump to balancer face)							
40740		Yes	Yes	Yes			\$2,205.00
40745		Yes	Yes	Yes	Yes		\$2,514.75
40730		Yes Chrome	Yes			Yes Chrome	\$1,790.25
40735		Yes Billet	Yes			Yes Billet	\$2,068.50
Type of Accessories		105 Amp Chrome Alternator	Aluminum Water Pump	Sanden 7176 Compressor	Type 2 Remote Pump	Chrome Canister Style pump or March Billet Canister Style Pump	Dayco 6 rib

For Chrome add "-06" to kit number..... "12345-06" • For "Black Onyx" Powder Coating, Add "-07" • For Black Powder Coating, Add "-08"

Matching Alternator, Water Pumps, Power Steering Pumps, A/C Compressors, Etc..... See Pages 71-76



If You Need Help Choosing Parts Let Our Experienced Technical Staff Help 1-888-729-9070 www.marchperf.com

"Sport-Track" All Inclusive Serpentine Kits

Alternator, Air Conditioning and Optional Power Steering

CHRYSLER
383-440 & 426 HEMI

Low Price

SPORT TRACK

High Performance

All Inclusive March Quality and Innovation for the Budget Engine Builder

Designed for the budget minded builder with the same March Performance quality and innovation as our Style Track kits. Complete with pulleys and a strong compact one piece combination alternator and A/C bracket, manufactured from 6061-T6 billet aluminum but with a more economical Silver or Black finish or Choose Ultra Style with Clear Powdercoat and Pulley covers

Top brand name accessories such as Sanden and Tuff Stuff. No Slip operation. Replaces your low performance V-belts, pulleys. Simple to bolt on! Eliminates belt throwing. Larger crank pulley aids in driving your alternator, A/C and water pump for better cooling and improved charging during low speed driving. CNC machined from solid billet 6061-T6 aluminum. All accessories including Alternator, A/C compressor, power steering unit, water pump, pulleys, brackets and all mounting hardware.

Application: Chrysler 383, 440 and 426 Hemi

Kit Includes: • 105 Amp Alternator Satin (Chrome in Ultra Kit) • Alternator pulley with fan • Sanden A/C Compressor Satin (Chrome in Ultra kit) • Aluminum Water pump • Water pump pulley • Alternator /A/C Brackets • Crank pulley (Larger Dia for better accessory drive) • Belt Tensioning Tool • All mounting hardware

Kits with remote power steering include: • Power steering pulley • Power steering pump • Bracket with mounting hardware.

Optional Accessories: • Power Steering lines for remote power steering (Please Call)
• 140 amp or 320 amp Alternator • Stainless Braided Power Steering Line Kits



Silver Powder Coat



**Ultra Style Clear Powder Coat
With Pulley Covers**

Powder Coated
NO Polishing Required



Black Powder Coat

Chrysler 383, 440, and 426 Hemi

Kit # Drives	Alt.	W/P	A/C	Remote P/S	Belt Size	PRICE
40820 (Ultra Style)	Yes	Yes	Yes		72.5"	\$2,205.00
40825 (Ultra Style)	Yes	Yes	Yes	Yes	82.5"	\$2,514.75
40800-08 (Black Face Plate)	Yes	Yes	Yes	-	72.5"	\$2,025.00
40800-09 (Silver Face Plate)	Yes	Yes	Yes	-	72.5"	\$2,025.00
40850-08 (Black Face Plate)	Yes	Yes	Yes	Yes	82.5"	\$2,310.50
40850-09 (Silver Face Plate)	Yes	Yes	Yes	Yes	82.5"	\$2,310.50
Type of Accessories	105 Amp Alternator.	Aluminum Water pump	Sanden 7176 Compressor	Type 2 Remote Pump	Dayco 6 Rib	

Optional Accessories for this Kit.
See Accessory pages for more info



Optional Billet Covers
See Page 75

Matching Alternator, Water Pumps, Power Steering Pumps, A/C Compressors, Etc..... See Pages 71-76

"Ultra" 383-440 & 426 Hemi Serpentine Kits

CHRYSLER
383-440 & 426 HEMI

Alternator With Optional A/C And Optional Power Steering

This stylish serpentine conversion kit for Chrysler 440ci and HEMI, solves the problem of unreliable V-belt accessory drives, no more belt throwing or slipping. A unique combination bracket mounts the alternator and A/C in a compact manner. Our power steering bracket accepts a standard Canister Style pump or for added style our own Billet Pump. Three idlers guarantees plenty of belt wrap for high performance no-slip operation. Matching "high performance" brackets with stainless steel tensioning rods for perfect belt tensioning.

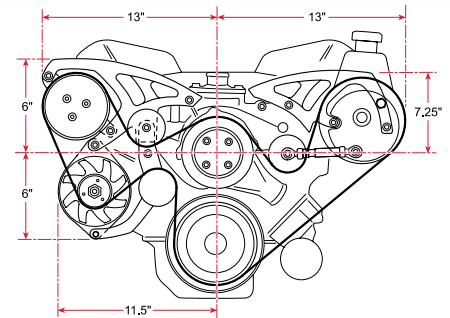
Application: Chrysler 383- 440ci and 426 Hemi motors.

Will not work with billet alternator #9650, requires electric fuel pump.

- Kit Includes:**
- Combination Alternator / A/C bracket and Rear Support
 - Power Steering Bracket, and Support
 - Power Steering Pulley with cover
 - A/C Compressor Cover
 - Crank pulley, Water Pump pulley and Nose Cover
 - Alternator Pulley with Cover
 - Belt Tensioning Rod
 - Idlers and Covers
 - Grade 8 mounting hardware
 - Power steering pulley with nose cover
 - Bracket with mounting hardware.



383-400c.i. Engines (water pump flange to damper face 4 1/4")							
Kit #Drives	Alt.	A/C	W/P	Canister Style key-way P/S	Canister Style press fit P/S	Belt Size	Price
40610	YES	YES	YES	YES		82"	\$1,204.96
40615	YES	YES	YES		YES	82"	\$1,204.96
440 C.I. Engines (water pump flange to damper face 4 1/4")							
40575	YES	YES	YES	YES		82"	\$1,204.96
40580	YES	YES	YES		YES	82"	\$1,204.96
426 Hemis (water pump flange to damper face 4 1/4")							
40585	YES	YES	YES	YES		83.5"	\$1,204.96
40590	YES	YES	YES		YES	83.5"	\$1,204.96
Type of Accessories	GM 6-12 o'clock mounting	Sanden 7176 Or March P411 serpentine A/C	standard rotation W/P	1966-74 keyway Canister Style pump or our own Billet Pump	1975-78 press fit Canister Style pump	Dayco 6 Rib	



"Deluxe Style" Serpentine Kits

Alternator With Optional A/C and Optional Power Steering

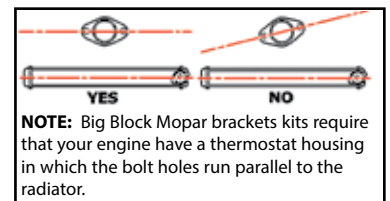
- Kit Includes:**
- Alternator bracket and stainless steel tensioning rod,
 - Crank pulley,
 - water pump pulley and nose cover
 - Alternator pulley with cover
 - Power steering kit includes bracket, tensioning rod and pulley
 - Air conditioning kit includes A/C bracket, tensioner and nose cover
 - Grade 8 mounting hardware



If you have an aftermarket damper please call March before ordering

See Web Site at marchperf.com for Dimension Diagrams

383-400 C.I. Engines (water pump flange to damper face 4 1/4")								
Kit #Drives	Alt.	A/C	W/P	Canister Style keyway P/S	Canister Style press fit P/S	Alt. Belt Size	P/S & A/C Belt Size	Price
40510	YES		YES			42.5"		\$407.20
40520	YES		YES	YES		42.5"	41"	\$653.27
40530	YES		YES		YES	42.5"	41"	\$653.27
40540	YES	YES	YES	YES		42.5"	54.8"	\$926.00
40545	YES	YES	YES		YES	42.5"	54.8"	\$926.00
426-440 C.I. Engines & Crate Hemis (water pump flange to damper face 4 1/4")								
40515	YES		YES			43.6"		\$407.20
40525	YES		YES	YES		43.6"	41"	\$653.27
40535	YES		YES		YES	43.6"	41"	\$653.27
40550	YES	YES	YES	YES		43.6"	54.8"	\$926.00
40560	YES	YES	YES		YES	43.6"	54.8"	\$926.00
Type of Accessories	Early Chrysler mounting Alt.	Sanden 505 or 508 serpentine A/C	standard rotation W/P	1966-74 keyway Canister Style pump	1975-78 press fit Canister Style pump	Dayco 6 rib	Dayco 6 rib	



For Black Powder Coating, Add "-08" to kit number..... "12345-08"

Matching Alternator, Water Pumps, Power Steering Pumps, A/C Compressors, Etc..... See Pages 71-76



If You Need Help Choosing Parts Let Our Experienced Technical Staff Help 1-888-729-9070 www.marchperf.com

392c.i. Hemi Serpentine Kit

All Inclusive

**CHRYSLER
392 HEMI**

Designed especially for the 392 Hemi, a separate bracket allows the option of power steering. Three separate idlers guarantee the ultimate in belt to pulley contact area for sure "no slip" operation.

Application: Mopar 392 Hemi.

NOTE: Requires the use of Hot Heads Research cylinder heads.

Kit Includes: ● Edelbrock big block Chevy water pump ● 105 Amp Chrome Alternator ● Alternator pulley with fan and nose cover ● Matching Chrome Sanden A/C compressor ● Alternator and A/C Brackets ● Crank pulley ● All mounting hardware

Kits with power steering include: ● GM Type 2 power steering pump (does not include hoses or reservoir) ● Power steering pulley with nose cover ● Bracket with mounting hardware.

Optional: ● #450 Billet Aluminum remote power steering reservoir, (See Page 73) ● 140 amp Alternator



Powder Coated
NO Polishing Required

Chrysler 392 Hemi

Kit # Drives	Alt.	W/P	A/C	Power Steering	Belt Size	Price
40760	Yes	Yes	Yes		85"	\$2,409.75
40765	Yes	Yes	Yes	Yes	91.5"	\$2,724.75

Type of Accessories	105 Amp Chrome Alternator	Aluminum Water Pump	Sanden 7176 Compressor	Type 2 Remote Pump	Dayco 6 Rib
---------------------	---------------------------	---------------------	------------------------	--------------------	-------------

For Chrome add "-06" to kit number..... "12345-06" • For "Black Onyx" Powder Coating, Add "-07" • For Black Powder Coating, Add "-08"

5.7, 6.1 & 6.4 Hemi Serpentine Kit

Alternator with Optional A/C and Optional Power Steering

**CHRYSLER
5.7/6.1/6.4 HEMI**

Designed especially for the 5.7, 6.1 and 6.4 motors. This highly styled one piece alternator and air conditioning bracket provides a rigid support for the alternator and A/C compressor, a separate bracket allows the option of power steering. Three separate idlers guarantee the ultimate in belt to pulley contact area for sure "no slip" operation.

Kits makes use of a unique easy to use belt tension adjustment tool. Once the belt tension has been set, the adjustment tool is easily removed and stowed away. As a result, the Style Track displays a much cleaner appearance.

Application: Mopar 5.7, 6.1 and 6.4 Hemi Late Model motors.

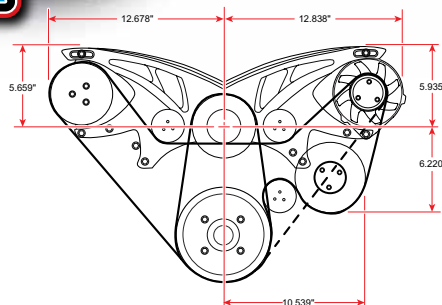
Kit Includes: ● 105 Amp Chrome Alternator ● Alternator pulley with fan and nose cover ● Matching Chrome Sanden A/C compressor ● Aluminum Water pump and Pulley with Nose Cover ● Alternator and A/C Brackets ● Crank pulley (Larger Dia for better accessory drive) ● Belt Tensioning Tool ● All mounting hardware

Kits with power steering include: ● GM Type 2 power steering pump (does not include hoses or reservoir) ● Power steering pulley with nose cover ● Bracket with mounting hardware.

Optional: ● #450 Billet Aluminum remote power steering reservoir, (See Page 73) ● Stainless Steel Braided Lines for Remote Power Steering (see Page 73) ● 418-06 Chrome A/C Manifold ● 140 amp or 320 amp Alternator ● P650 Polished Stainless Fastener Kit

Requires Car Timing Cover & Balancer.

Will Not Work With Motors That Have A Variable Valve Timing Or EGR



Chrysler 5.7 Hemi

Kit # Drives	Alt.	W/P	A/C	Power Steering	Belt Size	Price
40700	Yes	Yes	Yes		34" - 71.5"	\$1,974.00
40710	Yes	Yes	Yes	Yes	34" - 77.5"	\$2,304.75

Type of Accessories	105 Amp Chrome Alternator	Aluminum Water Pump	Sanden 7176 Compressor	Type 2 Remote Pump	Dayco 6 Rib
---------------------	---------------------------	---------------------	------------------------	--------------------	-------------

For Chrome add "-06" to kit number..... "12345-06" • For "Black Onyx" Powder Coating, Add "-07" • For Black Powder Coating, Add "-08"

Matching Alternator, Water Pumps, Power Steering Pumps, A/C Compressors, Etc..... See Pages 71-76

318/340/360 Serpentine Conversion

CHRYSLER
318, 340, 360 c.i.

Alternator with Optional A/C and Optional Power Steering

Created just for the small block Chrysler motor. Rigid support for the alternator and A/C compressor; a separate bracket allows the option of power steering. Four separate idlers guarantee the ultimate in belt to pulley contact area for sure "no slip" operation. An alternator and power steering only option is available for those who have non a/c applications.

Easy to use belt tension adjustment tool. Once the belt tension has been set, the adjustment tool is easily removed and stowed away until the next time the belt requires adjustment.

Detailed instructions so installation is a snap. You can also forget about polishing this assembly, as it features a maintenance-free powder coating in Clear, Black or Black Onyx.

Application: Chrysler Small Block V-8, 318, 340 and 360c.i.

- Kit Includes:**
- 105 Amp Chrome Alternator
 - Alternator pulley with fan and nose cover
 - Sanden Chrome A/C Compressor
 - Water pump and pulley
 - Alternator/A/C Bracket
 - Crank pulley (Larger Dia for better accessory drive)
 - 4 Idlers for better belt wrap
 - Belt Tensioning Tool
 - All mounting hardware

Kits with power steering include:

- GM Type 2 power steering pump (kit #40440) (does not include hoses or reservoir)
- Canister Style power steering pump (kit #40445)
- Power steering pulley with nose cover
- Bracket with mounting hardware.

Optional:

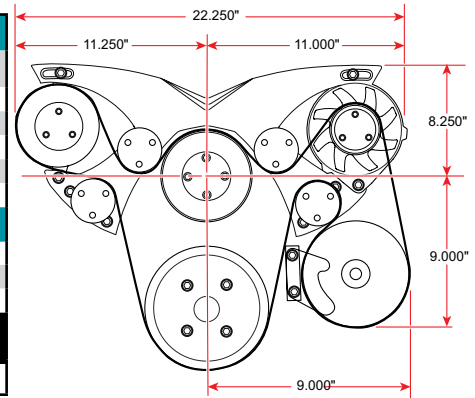
- #450 Billet Remote Power Steering Reservoir
- Stainless Braided Power Steering Hose Kits
- 418-06 Chrome A/C Manifold
- 140 amp or 320 amp Alternator
- Polished Stainless Fastener Kits P653 (kits 40430,40440,40445) P654 (kits 40450,40455)

Style TRACK



Chrysler 318-340- 360 C.I. Engines (water pump flange to damper face 4 1/2")							
Kit # Drives	Alt.	Water Pump	A/C	Remote Power Steering	Canister Style Power Steering	Belt Size	Price
40430	Yes	Yes	Yes			69"	\$2,068.50
40440	Yes	Yes	Yes	Yes		80"	\$2,378.25
40445	Yes	Yes	Yes		Yes	83.5"	\$2,535.75
40450	Yes Chrome	Yes			Yes Chrome	65"	\$1,748.25
40455	Yes Billet	Yes			Yes Billet	65"	\$1,974.00
Revolver Kits							
40460	Yes	Yes	Yes			69"	\$2,068.50
40465	Yes	Yes	Yes	Yes		80"	\$2,378.25
40470	Yes	Yes	Yes		Yes	83.5"	\$2,535.75
Type of Accessories	105 Amp Chrome Alternator	Sanden 7176 Compressor	Type 2 Remote Pump	Canister Style Pump	Dayco 6 Rib		

For Chrome add "-06" to kit number..... "12345-06" • For "Black Onyx" Powder Coating, Add "-07" • For Black Powder Coating, Add "-08"



"Deluxe Style" 318/340/360ci Serpentine Kits

Alternator with Optional A/C and Optional Power Steering

Application: Chrysler 318-340-360ci motors. Will not work with Magnum based engines. **NOTE:** Will not work with March billet power steering pump

Kit Includes:

- Alternator bracket and stainless steel tensioning rod
- Crank pulley, water pump pulley and nose cover
- Alternator pulley with nose cover
- Power steering kit includes bracket, and pulley
- Air conditioning kit includes A/C bracket, tensioner and A/C nose cover
- Kits with A/C but without power steering include idler pulley and bracket
- Grade 8 mounting hardware

Chrysler Small Block Kits 1970 and Later all w/passenger side lower radiator hose
If you have an aftermarket damper please call March before ordering



318-340-360 C.I. Engines (water pump flange to damper face 4 1/2")									
Kit #Drives	Alt.	A/C	W/P	Canister Style keyway P/S	Canister Style press fit P/S	Alt. Belt Size	P/S Belt Size	Price	
40400	YES		YES			45"		\$406.72	
40405	YES		YES	YES		45"	32.5"	\$655.67	
40410	YES		YES		YES	45"	32.5"	\$655.67	
40425	YES	YES	YES			45"	46"	\$913.32	
40415	YES	YES	YES	YES		45"	50.5"	\$913.32	
40420	YES	YES	YES		YES	45"	50.5"	\$913.32	
Type of Accessories	Early Chrysler mounting Alt.	Sanden 505 or 508 serpentine A/C	standard rotation W/P	1966-74 keyway Canister Style pump	1975-78 press fit Canister Style pump	Dayco 6 rib	Dayco 6 rib		

For Black Powder Coating, Add "-08" to kit number..... "12345-08"

See Web Site at marchperf.com for Dimension Diagrams



Matching Alternator, Water Pumps, Power Steering Pumps, A/C Compressors, Etc..... See Pages 71-76



If You Need Help Choosing Parts Let Our Experienced Technical Staff Help 1-888-729-9070 www.marchperf.com

Accessories

ACCESSORIES AIR CONDITIONING

Under Dash and In Dash A/C Systems

March Performance newest line of under dash & in dash air conditioning systems and fitting. Available as under the dash style without doing any other work on the inside of the vehicle. The in dash systems are available with A/C only, A/C and heat, and A/C, heat, and even defrost. Sold without the A/C compressors or engine brackets making it perfect match for our complete line of A/C equipped drive systems.

NOTE: These kits are universal and some parts can be exchanged manufacture direct for a more custom fit such as condensers as well as in dash kits can be adapted to work with factory vents and controls.

Kit includes: Evaporator, condenser, dryer, hi and low pressure switch, expansion valve, hoses, fittings and mounting hardware.

- Part # P6000 Under Dash Air Conditioning Kit
- Part # P6010 Under Dash Air Conditioning & Heat Kit
- Part # P6005 Under Dash Air Conditioning Kit with Chrome Vents
- Part # P6015 Under Dash Air Conditioning Kit & Heat Kit with Chrome Vents
- Part # P6020 In Dash A/C, Heat and Defrost Kit (uses electric controls)
- Part # P6025 In dash A/C, Heat and Defrost Kit (uses cable controls & can be adapted to factory controls)

Bulkhead and Fittings

- Part # P6100 Bulkhead A/C only fitting and hose fittings
- Part # P6105 Inline A/C & Heater Bulkhead with Fittings
- Part # P6110 Square Shaped Bulkhead for A/C & Heater with Fittings
- Part # P6115 Diamond Shaped Bulkhead for A/C & Heat with Fittings



Price? Please Call.



P6000 & P6010 Kits



P6005 & P6015 Kits



P6020 & P6025 Kits

A/C Manifold

Chrome Plated A/C Manifold redirects ports on Sanden 7176 compressor for neater hose routing.

- Part #A417 A/C Manifold.
- Part #A418-06 Chrome A/C Manifold.



Price? Please Call.

Air Conditioner Clutch Cover Kits

Now match the rest of your March Pulleys with our new billet aluminum A/C Clutch Covers! March supplies you with our new pre-drilled clutch hub, locator and cover



- Part #376 R-4 GM 1988 - 1995 Truck, Camaro, Firebird Serpentine R4 A/C Cover
- Part #395 Sanden 505/508/708/510/709 A/C Compressor
- Part #385 Ford 1986-1993 Mustang A/C Cover
- Part #398 Contour Style Slotted A/C Cover
- Part #398 Contour Style Smooth A/C Cover

Part #398 Contour Style Slotted A/C Cover

Price? Please Call.

A/C Compressor with Serpentine Pulley

- Part #P410 Sanden 508 polished newer style HFC-134 refrigerant, with serpentine pulley (new).
- Part #P411 Sanden 7176 polished Compact style HFC-134 refrigerant, with serpentine pulley (new).
- Part #P412 Chrome 7176 Style HFC-134 refrigerant, with serpentine pulley (new).
- Part #P426 Black 7176 Style HFC-134 refrigerant, with serpentine pulley (new).
- Part #P413 Sanden 508 Chrome newer style HFC-134 refrigerant, with serpentine pulley (new).
- Part #P475 Serpentine pulley and clutch for Sanden 508 compressor (perfect for converting your compressor from V-belt to serpentine)

High Performance Electric Fans

These high performance fans have been designed to March Performance specifications.

Maximum Air Flow • Heavy Duty Construction • Light Weight 100% Balanced • Used on the most exotic sports cars



- Part #P700 Single 16" diameter puller style, mounts to inside of engine compartment, 2360 CMF, Weighs 5.25 LBS. O.A.DIA. 16.50" x 3.50" thick
- Part #P716 Matching Bracket kit for P700 fan.
- Part #P702 Dual 11" diameter puller style fans, designed with high speed by-pass ports for unrestricted air flow 2780 CMF, Weighs 10.50 LBS. Width 23.50" x 16.25" high, 4.25 thick
- Part #P717 195° Thermostat kit with relay and harness.
- Part #P718 185° Thermostat kit with relay and harness.
- Part #P719 Extra relay, required for fan #P702.

Price? Please Call.



Price? Please Call.

Matching Alternator, Water Pumps, Power Steering Pumps, A/C Compressors, Etc.... See Pages 71-76

Accessories

Correct Accessories are available from March Performance

ACCESSORIES
Alternator, W/P

March Billet Alternator

Stylish Billet aluminum alternator replaces your plain OEM alternator, 140 AMP one wire hook-up (Does not include pulley or fan)

GM 140 amp 10si style case 1 wire Billet alternator
Part #9650.....\$397.39

Ford 140 amp 1g style case 1 wire Billet alternator
Part #9665.....\$420.11

Does not include pulley or fan

CLEAR
Powder Coated
NO Polishing Required



Alternators

GM

- Part #P530 320 amp polished
- Part #P535 320 amp Chrome
- Part #P550 GM 100 amp 1 wire 7" dia. polished
- Part #P551 140 amp Polished
- Part #P555 GM 100 amp 1 wire 7" dia. chrome
- Part #P556 140 amp Chrome



#P530

Ford

- Part #P560 Ford 100 amp 1 wire polished
- Part #P562 Ford 100 amp Chrome 1 Wire
- Part #P561 140 amp Polished
- Part #P563 Ford Chrome 140 Amp 1 Wire



#P555

Chrysler

- Part #P590 100 amp 1 wire SB Mopar
- Part #P595 100 amp 1 wire BB Mopar

All Alternators Do Not Include Pulleys or Fans

All Alternators Do Not Include Pulleys or Fans

Chrome!
#P555
#P556



Polished

#P590 Mopar
#P595

#P550
#P551



#P565

Price? Please Call.

Style Track Water Pump Cover

Small Block Chevy

Part #224 Billet Aluminum, Fits March Style Track, Pro Track and Sport Track Kits



Water Pumps

Chevy Small Block

- #P100 84-91 Vette Short Water Pump, Rev. Rotation, Polished Aluminum (New) Tuff Stuff Brand
- #P105 84-91 Vette Short Water Pump, Rev. Rotation, Polished Deluxe (New Stewart)
- #P106 84-91 Vette Short Water Pump, Rev. Rotation, Polished Aluminum (Edelbrock)
- #P110 84-91 Vette Short Water Pump, Rev. Rotation, Chromed (New) Tuff Stuff Brand
- #P115 84-91 Vette Short Water Pump, Rev. Rotation, Aluminum (remanufactured)
- #P205 Short Water Pump, Std. Rotation, Polished Aluminum (Edelbrock)
- #P215 Long Water Pump, Std. Rotation, Polished Aluminum (Edelbrock)
- #P901 CSR Electric Water Pump Clear Anodized (P908 Radiator Adapter Sold Separately)

Chevy 409 ci

#P148 Chevy 409 Aluminium Edelbrock

Chevy Big Block

- #P135 Short Water Pump, Rev. Rotation, Polished Aluminum (new Stewart)
- #P130 Short Water Pump, Rev. Rotation, Cast Iron (new Stewart)
- #P235 Long Water Pump, Std. Rotation, Polished Aluminum (Edelbrock)
- #P125 Short Water Pump, Rev. Rotation, Non-Polished Aluminum (Edelbrock)
- #P145 Short Water Pump, Rev. Rotation, Polished Aluminum (Edelbrock)
- #P900 CSR Electric Water Pump Clear Anodized (P908 Radiator Adapter Sold Separately)

Ford

- #P500 Small Block Ford Short reverse rotation pump and Timing Cover. 94-95 Mustang
- #P160 Small Block Ford reverse rotation chrome (87-93)
- #P161 Small Block Ford standard rotation passenger side lower hose chrome
- #P162 Small Block Ford std rotation driver side lower hose chrome
- #P163 351Cleveland std rotation chrome
- #P164 351Cleveland std rotation alum. edelbrock
- #P165 Ford FE chrome
- #P166 Big Block Ford 429-460 chrome
- #P167 Big Block Ford 429-460 aluminium Edelbrock
- #P168 Ford FE Aluminium Edelbrock



#P500

Pontiac

- #P170 Pontiac 11 bolt chrome
- #P169 Pontiac 11 Bolt Aluminium Edelbrock

Chrysler

- #P171 Small Block Chrysler aluminium
- #P179 Big Block Chrysler Polished Water Pump and Housing

Oldsmobile

- #P150 Oldsmobile 455 5.25" Chrome
- #P151 Oldsmobile Aluminium 6" Milodon

Buick

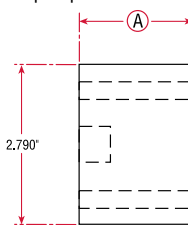
- #P190 Buick 455 Aluminium



Price? Please Call.

Fan Extensions

Billet Aluminum, Matches March Pulleys Clear Powder Coating. "Universal Bolt Pattern" For 5/8" shaft water pumps



- Part #350 "A"= .375" long
- Part #351 "A"= 1" long
- Part #352 "A"= 2" long
- Part #353 "A"= 3" long



Accessories Correct Accessories are available from March

Power Steering Pumps, Covers, Hoses and Reservoirs

ACCESSORIES PUMPS and HOSES

March Billet Power Steering Pump Case

Power steering pump with a phenomenally styled aluminum billet reservoir. A perfect accompaniment to March's bracket kits. Available as a complete bolt in replacement Canister Style Keyway pump or the billet case alone for use with your present pump internal parts. May require modification to factory brackets.

- Part #9600** Billet reservoir with Keyway pump. Has 5/8" inverted flare pressure fitting \$340.62
- Part #452** Billet Case only (use internals from your old pump)..... \$227.06
- Part #9615** Billet Reservoir With Saginaw Press Fit Pump \$340.62



#9600 shown with optional pulley



Billet Power Steering Cover

Cover for late model (bracket mounted to faceplate) Styletrack kits

- Part #21106** Early Styletrack with P/S mounted to block \$129.95
- Part #480** Billet Case only (use internals from your old pump)..... \$99.95



Using American
**6061 T6
Aluminum**

Canister Style 1966-1972

We recommend 1971 Chevy Impala V8. The hose fitting connections are in the ideal location and is simple to mount and remove pulleys with keyway and nut. Has 5/8" inverted flare pressure fitting

- Part #P300** 1971 Impala Keyway Style (New Black Powdercoated)
- Part #P304** Chrome Keyway Style (New)
- Part #P349** Pre 1978 Saginaw Press Fit Pump (Black)
- Part #P350** Pre 1978 Saginaw Press Fit Pump (Chrome)



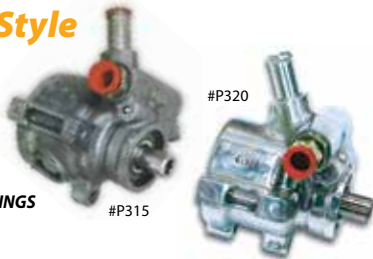
Remote Reservoir Style

1987 Pontiac Sunbird

- Part #P315** Aluminum (New)
- Part #P316** Chrome (New)
- Part #P320** Polished Aluminum (New)

NOTE: CONTACT US FOR PUMP/HUB COMBOS AND FOR PUMPS WITH AN FITTINGS

Price? Please Call.



Stainless Braided Power Steering Hose Kits

Applicable to P315, P316 and P320 Only, with March reservoir #450

- #P3211** Fits pump and reservoir to 74-78 Mustang II rack and pinion.
- #P3222** Fits pump and reservoir to GM steering box 1978 and older (flare fittings on box).
- #P3233** Fits pump and reservoir to GM steering box 1979 and newer (with metric O-ring fittings on box).
- #P3244** Fits pump and reservoir to Ford 1979-95 Mustang and up rack and pinion.
- #P3255** Fits pump and reservoir to with Corvette slave cylinder



For Canister Style pumps metric and inverted flare

- #P324** Canister style pump / Corvette with slave cylinder
- #P326** Canister Style pump / Ford Plastic Pump to Mustang 2 rack
- #P327** Canister Style pump to 1977 and older GM steering boxes
- #P328** Canister Style. pump to 1978 and newer GM boxes
- #P329** Canister Style pump / Ford Plastic Pump to 1979 and newer Ford rack
- #P306** **Regulator Kit** Allows you to regulate pressure for power rack and pinion or gear box requirements.



Power Steering Remote Reservoirs

Fluid reservoir for most kits using remote power steering pumps



- Part #450** Billet Remote Reservoir complete with mounting bracket..... \$204.69
- Part #445** Double Taper Reservoir with Remote Pump Bracket 240.00
- Part #440** Double Taper Reservoir with Firewall Mount \$225.00
- Part #420** Non-Taper Reservoir w/Firewall Mount Bracket..... \$215.00
- Part #425** Non-Taper Reservoir with Remote Pump Bracket \$230.00
- Part #430** Taper Reservoir W/Firewall Bracket \$220.00
- Part #445** Taper Reservoir with Remote Pump Bracket..... 235.00
- Part #P340** Economy Remote Reservoir \$61.45

Adjustment Rods & Rod Ends

Stainless Steel with Chrome Moly Rod Ends



Part #RE-325 3/8" hole 3/8-24 RH thread with nut

Part #RE-326 3/8" hole 3/8-24 LH thread with nut

Part #	Span in Inches	
	Min	Max
RA-1.625	3.625	5.125
RA-2.500	4.500	6.000
RA-3.500	5.500	7.000
RA-4.375	6.375	7.875
RA-5.500	7.500	9.000
RA-6.000	8.000	9.500
RA-6.625	8.625	10.125
RA-7.000	9.000	10.500
RA-7.625	9.625	11.125

Part #	Span in Inches	
	Min	Max
RA-8.000	10.000	11.500
RA-8.625	10.625	12.125
RA-9.000	11.000	12.500
RA-9.500	11.500	13.000
RA-10.250	12.250	13.750
RA-11.500	13.500	15.000
RA-12.500	14.500	16.000
RA-13.500	15.500	17.000
RA-14.500	16.500	18.000



Power Steering Pulleys

6061-T6 American Made Aluminum

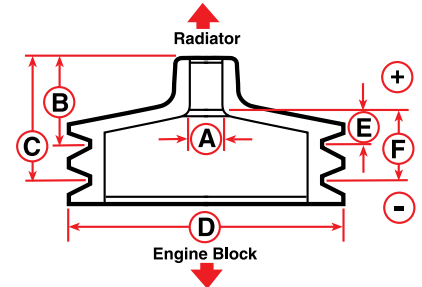
CLEAR
Powder Coated
NO Polishing Required

ACCESSORIES
PULLEYS AND CAPS

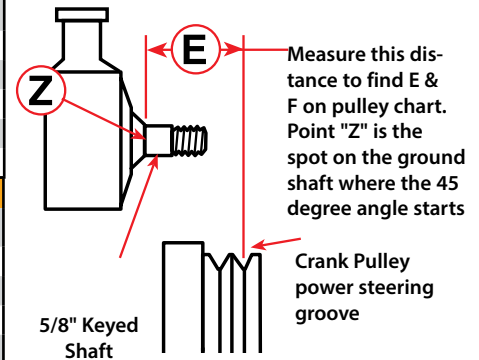
CHEVY									
Part #	Mfg. OEM Part #	Shaft Size Dim. A	Key Way	1st Groove Dim. B	2nd Groove Dim C	O.D. Size Dim D	1st Groove Dim E	2nd Groove Dim F	Price
510	38860457	5/8	Yes	0.913		5 3/4	-.163		\$78.15
511	346289AK	3/4	No	1.15		5 3/4			\$78.15
512	2477954	5/8	Yes	1.36		5 3/4	-.550		\$78.15
513	3770509CE	5/8	Yes	1.05		5 3/4	-.300		\$78.15
515	140231761	3/4	No	1.95		6			\$78.15
516		5/8	Yes	0.42		5 3/4	+.330		\$78.15
520	354325AC	3/4	No	1.55	2.175	5 3/4			\$85.25
521	3941107DE	5/8	Yes	1.07	1.69	5 3/4	-.320	-.940	\$85.25
523		5/8	Yes	1.69		5 3/4	-.940		\$78.15
522	14023173DB	3/4	No	1.35	1.96	6			\$85.25
530		5/8	Yes	.57		6	+.180		\$78.15
531	14023172DA	3/4	No	1.25		6			\$78.15
540	3925537DC	5/8	Yes	0.812			-.000		\$78.15
610	14102096NL	3/4	No	Serpentine		6 3/8			\$85.25
619		17mm	No	Serpentine		5 1/2			\$85.17

CHRYSLER								
Part #	Mfg. OEM Part #	Notes P/S/Style	Shaft Size Dim. A	Key Way	1st Groove Dim. B.	2nd Groove Dim C.	O.D. Size Dim D.	Price
530	82668 1189	Canister Style Keyway	5/8	Yes	0.57		6 3/4	\$78.15
531		Canister Style Pressfit	3/4	No	1.25		6	\$78.15
532	82668 2608	Federal Pressfit	5/8	No	0.45		7	\$85.25
645		Dodge Magnum Engine, 7-Rib Pulley matches kit 10510						\$77.97
646		Dodge Manum Engine, 6-Rib Pulley matches kit 10515						\$77.97

FORD							
Part #	Notes P/S Style	Shaft Size Dia. A	Key Way	1st Groove Dim. B.	2nd Groove Dim C.	O.D. Size Dim D.	Price
500	Ford Pear Shape (Canister Style)	3/4	No	1.33		6	\$78.15
502	Ford Canister Fits Ford Big Block 351-429-460	1 1/16	No	1.336		5 1/2	\$78.15
504	Ford Canister Fits Ford Small Block 289-302	1 1/16	No	0.87		5	\$78.15
630	Ford 5.0L Mustang 1979-1993 Serpentine	1 1/16	No	Serpentine		5 1/2	\$85.25



- A - Bore Size
- B - Face to center of first groove
- C - Face to center of second groove
- D - Diameter of stock pulley
- E - Distance from crank power steering groove to back of power steering pulley shaft
- F - Same as E (second groove)



Use dimension E & F for two groove to find proper pulley if you have a keyway power steering pump mounted to the engine and no pulley

Power Steering Pulley Nose Cover

Part #360 Fits Chevy Power Steering Pulley # 616, 617, 623, 624, 630, 502, 504.



Idler Pulleys & Covers



- Part #740 Non ribbed with double bearings and hardcoated for increased wear and protection.....\$79.87
- Part #750 Ribbed with double bearings\$79.87
- Part #322 Contour Style Idler Pulley Cover\$28.26

Crank Shaft Pulleys For Blowers



- Part #6291 Chevy Small Block serpentine short water pump engine with vibration damper 6 bolt pattern tapped.and Chevy 3 bolt pattern. 2" blower register\$81.88
- Part #7681 Chevy Big Block serpentine short water pump engine with vibration damper 6 bolt pattern tapped.and Chevy 3 bolt pattern. 2" blower register\$81.88
- Part #6286 Chevy Small and Big Block serpentine short water pump engines with no damper 6 bolt pattern crank hub. 2" blower register\$81.88

Water Pump Pulley Covers

Billet Aluminum: Clear Powdercoated

Part No.	Fits Set
312 Chevy/Ford	1550, 1560, 1595, 1610, 1625, 1630, 1650, 1910, 1930, 1950, 1555, 1565, 1585, 1647, 1657, 1667, 1655, 1685, 1615, 1617, 1635, 1637, 1670, 1675, 1690, 1695, 1697, 1905, 1925, 1945, 6010, 6015, 6030, 5090, 6110, 6120, 6130, 6150, 6210, 7510, 7530, 7550, 7670, 6270
314 Chevy	4020, 4030, 4415, 4420, 6050, 6070, 6090, 6310, 7005, 7015, 7020, 7050, 7040, 7210, 7630, 7310, 7330, 6330, 6370, 6380
318 Ford	1810, 1830, 1815, 1825, 1850, 1855
320 Ford	2010, 2015
321 Chevy	5070, 5050, 20700, 20800's
327 Mopar	10010, 10030, 10050, 10070, 10150, 10170, 10015, 10075 10210, 10230, 10250, 10350, 10370, 10215, 10255, 10215, 10265
330 Chevy	4010, 4310, 4360, 4465, 4470, 4480, 4410

CLEAR
Powder Coated
NO Polishing Required



WATER PUMP PULLEY COVER

Dayco Alignment / Tension Kit

Part #P93874
Includes Tension Gauge & Laser Alignment Tool.



Fans, Pulleys and Nose Covers

**ACCESSORIES
COVERS & FANS**

G.M. - Ford Alternator Pulleys

Billet Aluminum:
Clear Powder Coat



#208 Billet Alt. Pulley & #221 Fan



#206 Billet Alt. Pulley & #366 Cover

V-Belts

Part No.	Size	No Cover	Cover or Alt Fan	Material
131	2 1/8" dia.	without nose cover		Aluminum
137	2 1/16" dia.	with cover		Aluminum
143	3 3/16" dia.	with cover		Aluminum
150	4" dia.	without nose cover		Aluminum

Serpentine 6 Rib

112	1 1/16" dia.	with cover		Aluminum
206	2 3/8" dia.	with cover		Aluminum
208	2 3/4" dia.	with cover		Aluminum
366	Contour Style cover for 206 pulley			Aluminum
367	Contour Style cover for 208 pulley			Aluminum
217	3 7/8" dia.	without nose cover		Aluminum



**BLACK & SILVER
Powder Coating**

Silver & Black Covers

Optional Billet covers for Long Water Pump Sport Track

- 360-09 Silver, -08 Black, P/S Pulley Cover
- 314-09 Silver, -08 Black, Water pump pulley cover
- 302-09 Silver, -08 Black, Idler cover
- 206-09 Silver, -08 Black, Alt pulley (Includes nose cover)
- 394-09 Silver, -08 Black, A/C cover
- 221-09 Silver, -08 Black, Billet Alt. fan

Slotted Alternator Fan

Stylish Billet aluminum Fits GM and Ford external cooling fan alternators. Part #222 Fan



Pulley not included



G.M.- Ford Alternator Fan

Part #221 Works with any alternator pulley Precision CNC machined from solid billet 6061-T6 aluminum, covered with clear powdercoat.

Price? Please Call.



Billet Air Cleaners

Style Track, Revolver, Grande and Pro-Track

Exceptional styled billet air cleaner is a great add-on to our bracket kits. Includes air filter and billet hold down. Available in a Polished finish, Chrome Finish or our new Black Onyx powder coat. Fits single 4 barrel carb applications. Includes air filter and billet hold down.

See Website for Dimensional Drawings

**ACCESSORIES
AIR CLEANERS**

BILLET AIR CLEANERS		PRICE
9700	Futura Clear Powder Coat	\$499.60
9700-06	Futura Chrome	\$656.25
9700-08	Futura Black	\$499.60
9710	Grande Protrack Clear	\$446.25
9710-06	Grande Protrack Chrome	\$603.75
9710-07	Grande Protrack Black Onyx	\$603.75
9710-08	Grande Protrack Black	\$446.25
9715	Grande Protrack Etched Clear	\$472.50
9715-06	Grande Protrack Etched Chrome	\$630.00
9715-07	Grande Protrack Etched Black Onyx	\$630.00
9715-08	Grande Protrack Etched Black	\$472.50
9720-06	Style Track Chrome	\$945.00
9720-07	Style Track Black Onyx	\$945.00
9720-08	Style Track Black	\$787.50
9730-06	Revolver Chrome	\$945.00
9730-07	Revolver Black Onyx	\$945.00
9730-08	Revolver Black	\$787.50
9735-06	Revolver Dual Carb Chrome	\$1,050.00
9735-07	Revolver Dual Carb Black Onyx	\$1,050.00
9735-08	Revolver Dual Carb Black	\$892.50
9740-06	Grande Revolver Chrome	\$918.75
9740-07	Grande Revolver Black Onyx	\$918.75
9740-08	Grande Revolver Black	\$761.25
9742-06	Grande Revolver Dual Carb Chrome	\$1,050.00
9742-07	Grande Revolver Dual Carb Black Onyx	\$1,050.00
9742-08	Grande Revolver Dual Carb Black	\$892.50
9745-06	Protrack Dual Carb Chrome	\$1,050.00
9745-07	Protrack Dual Carb Black Onyx	\$1,050.00
9745-08	Protrack Dual Carb Black	\$892.50
9750-06	Protrack Chrome	\$945.00
9750-07	Protrack Black Onyx	\$945.00

Part #9730-06 Revolver Chrome



Part #9700-06 Futura Chrome



Part #9720-06 Style Track Chrome



Part #9740-06 Grande Revolver Chrome



Part #9760-06 Grande Style Track Chrome



Part #9740-07 Grande Revolver Black Onyx



Part #9750-07 Pro-Track Black Onyx



Part #9750-06 Pro-Track Chrome



Billet Air Cleaners

9750-08	Protrack Black	\$787.50
9755-06	Fuelie Chrome	\$1,359.75
9755-07	Fuelie Black Onyx	\$1,359.75
9755-08	Fuelie Black	\$992.25
9760-06	Grande Style Track Chrome	\$918.75
9760-07	Grande Style Track Black Onyx	\$918.75
9760-08	Grande Style Track Black	\$761.25
9762-06	Grande Style Track Dual Carb Chrome	\$1,023.75
9762-07	Grande Style Track Dual Carb Black Onyx	\$1,023.75
9762-08	Grande Style Track Dual Carb Black	\$866.25
9765-06	Fuelie Dual Carb Chrome	\$1,464.75
9765-07	Fuelie Dual Carb Black Onyx	\$1,464.75
9765-08	Fuelie Dual Carb Black	\$1,097.25
9820	Grande Fuelie Clear	\$939.75
9820-06	Grande Fuelie Chrome	\$1,307.25
9820-07	Grande Fuelie Black Onyx	\$1,307.25
9820-08	Grande Fuelie Black	\$939.75
9830	Round Style Track Clear	\$525.00
9830-06	Round Style Track Chrome	\$735.00
9830-07	Round Style Track Black Onyx	\$735.00
9830-08	Round Style Track Black	\$525.00
9835	Round Revolver Clear	\$525.00
9835-06	Round Revolver Chrome	\$735.00
9835-07	Round Revolver Black Onyx	\$735.00
9835-08	Round Revolver Black	\$525.00
9840	Nostalgic Oval Clear	\$840.00
9840-07	Nostalgic Oval Black Onyx	\$945.00
9845	Grande Nostalgic Oval Clear	\$787.50
9845-07	Grande Nostalgic Oval Black Onyx	\$892.50
9850	Nostalgic Arrow Clear	\$840.00
9850-07	Nostalgic Arrow Black Onyx	\$945.00
9860-06	Carbon Spider	\$1,595.00
9870-06	Carbon Spider Fuelie	\$1,895.00
9880	Carbon Spider 4 Piece Clear	\$1,095.00
9880-06	Carbon Spider 4 Piece Chrome	\$1,495.00
9880-07	Carbon Spider 4 Piece Black Onyx	\$1,295.00

Valve Cover Emblems

Add these emblems to your valve covers, make a great add-on to our Futura, Style Track or Revolver bracket kits and billet air cleaners.

VALVE COVER EMBLEMS		PRICE
9770	Style Track Clear	\$283.50
9770-06	Style Track Chrome	\$336.00
9770-07	Style Track Black Onyx	\$336.00
9770-08	Style Track Black	\$283.50
9775	Revolver Clear	\$283.50
9775-06	Revolver Chrome	\$336.00
9775-07	Revolver Black Onyx	\$336.00
9775-08	Revolver Black	\$283.50
9780	Futura Clear W/ Carbon Fiber Insert	\$320.00
9780-06	Futura Chrome W/Carbon Fiber Insert	\$370.00
9780-08	Futura Black W/Carbon Fiber Insert	\$320.00
9785	Protrack Clear	\$283.50
9785-06	Protrack Chrome	\$336.00
9785-07	Protrack Black Onyx	\$336.00
9785-08	Protrack Black	\$283.50
9800	Fuelie Clear W/Carbon Fiber Insert	\$315.00
9800-06	Fuelie Chrome W/Carbon Fiber Insert	\$367.50
9800-08	Fuelie Black W/Carbon Fiber Insert	\$315.00
9855	Nostalgic Clear	\$336.00
9855-07	Nostalgic Black Onyx	\$388.50

Pro-Track



Part #9820 Grande Fuelie Clear Powder Coat

ACCESSORIES AIR CLEANERS



Part #9765-06 Pro-Track Fuelie Chrome

Part #9830-06 Style Track Round Chrome



Part #9850-07 Nostalgic Arrow Black Onyx

Part #9835-06 Revolver Round Chrome



Revolver



Part #9880 Carbon Spider 4 Black Onyx



Part #9880-07 Carbon Spider 4 Black Onyx



Part #9870 Carbon Spider Fuelie



Part #9860 Carbon Spider

Style TRACK



Revolver

Billet Aluminum Wire Looms

Small Block Chevy Valve Cover Wire Loom Assemblies .

9900 Plain Wire Loom Set

9905 Style Track Wire Loom Set

9910 Revolver Wire Loom Set

Clear Powder Coat 195.00

Chrome 305.00



#9905 Style Track Wire Loom

LS-1 Mass Air Flow Air Cleaner

with Billet Aluminum Cover

#P803 3 Pin MAF with filter and cover\$379.05

#P805 5 Pin MAF with filter and cover\$451.50

#P815 5 Pin MAF with hose adapter, filter and cover.....\$451.50



LS-1 Mass Air #P803, #P805, #P815,

Matching Alternator, Water Pumps, Power Steering Pumps, A/C Compressors, Etc..... See Pages 71-76



If You Need Help Choosing Parts Let Our Experienced Technical Staff Help 1-888-729-9070 www.marchperf.com

MARCH

PERFORMANCE PULLEYS & BRACKETS



NOTE: Chevy small blocks using newer timing cover such as ZZ4's, Ram Jet's ,fast burn's and motors using thicker after market timing covers may need to modify short water pumps to fit over timing cover. These motors using long water pumps with our power steering brackets may have to modify our bracket to clear timing cover.

NOTE: Big block Chevy's that use what is called a truck balancer or balancer with a 1.25" diameter locator hole will not work with our pulley kits.

GM Corporation Body Styles

F Body: Camaro, Firebired,
First Generation, (67-69). Second Generation, (70-81). Third Generation, (82-92). Fourth Generation, (93-02)

GM A Body
(1961-1982) Chevelle, El Comino, Monte Carlo, Malibu.

GM G Body
(1982-1988) El Camino, Malibu, Monte Carlo.

MARCH PERFORMANCE, INC. - LIMITED WARRANTY -

* Due to our policy of continuous improvement all specifications are subject to change without notice.

This limited warranty is extended only to each individual who purchases a March product. This limited warranty applies to any product which, after careful inspection by March Performance Products, is found to have a defect in either material or workmanship.

To obtain the benefit of this limited warranty you must (1) return the product and sales receipt to March Performance Products, at your own expense, to the above address so that it is received by March by no later than ninety (90) days after the date it was purchased; and (2) state the complaint that you have with respect to the product.

If all of the above procedures are followed, and the product is found by March to be defective in either material or workmanship, March shall either repair or replace the product, at its election, and at its sole cost. March will attempt to repair or replace any defective product within thirty (30) days after receipt.

This limited warranty DOES NOT cover or apply to any damage sustained to the engine or other parts which may have been caused by the defective product and DOES NOT cover or apply to any personal injury, labor charges or any other incidental costs or damages caused by the defective product.

THIS LIMITED WARRANTY IS THE ONLY EXPRESS WARRANTY WHICH APPLIES TO MARCH PERFORMANCE PRODUCTS AND IS EXPRESSLY GIVEN IN LIEU OF ANY OTHER WARRANTY EXPRESSED OR IMPLIED, INCLUDING THAT OF MERCHANTABILITY. ANY IMPLIED WARRANTY INCLUDING THAT OF MERCHANTABILITY AND, OR FITNESS FOR A PARTICULAR PURPOSE IS HEREBY LIMITED BY THE SAME TERMS AND TIME LIMITATIONS SET FORTH IN THIS LIMITED EXPRESS WARRANTY AND OTHERWISE EXCLUDED.

You may have rights under either state or federal law, including laws governing warranties, which you should consult.

EXCEPT FOR THOSE OBLIGATIONS ASSUMED HEREIN, MARCH PERFORMANCE, INC. ASSUMES NO OTHER OBLIGATIONS IN CONNECTION WITH THE SALE OF ITS PRODUCTS.

Due to advancement and changes in product production, actual products may vary from photos.

MARCH PERFORMANCE, INC. • 16160 PERFORMANCE WAY • NAPLES, FLORIDA 34110
1-888-729-9070 • FAX 239-593-4564
See our web site at www.marchperf.com