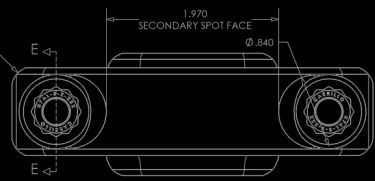
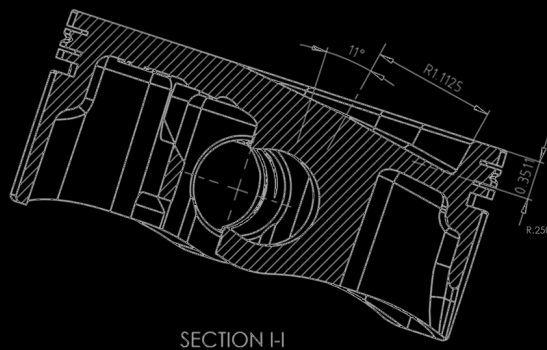
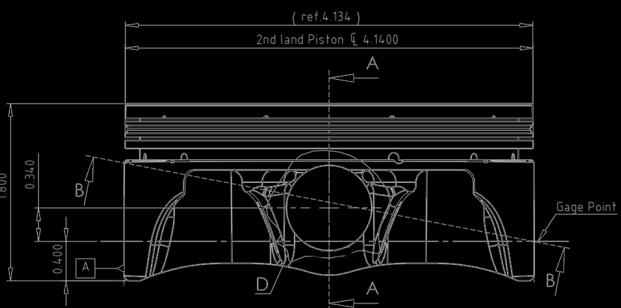
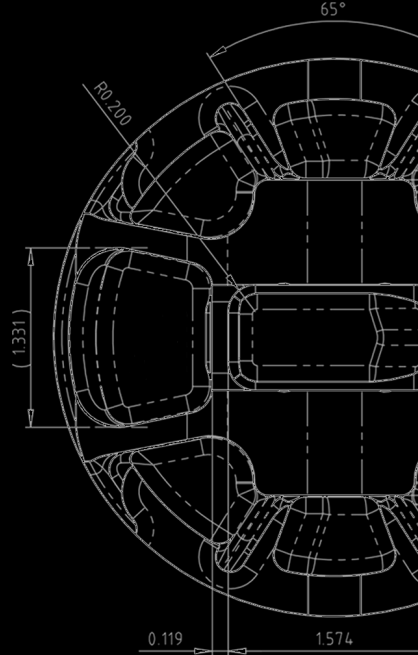
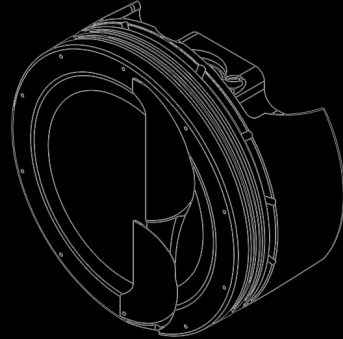
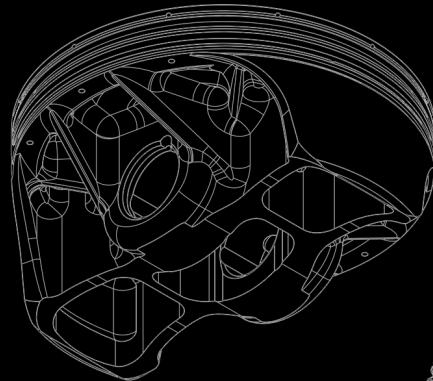
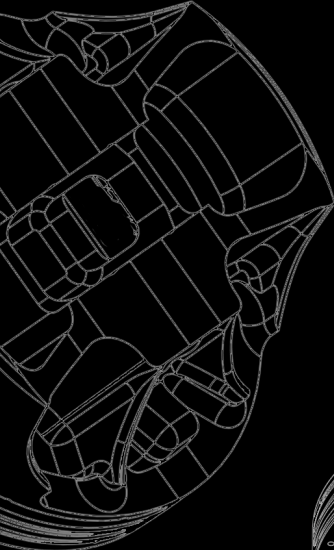
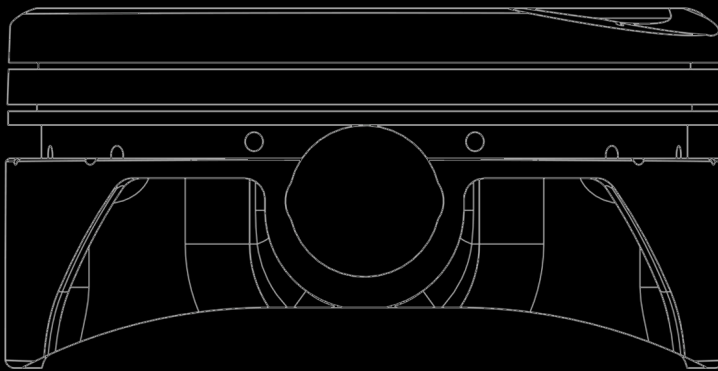


SECTION H-H

ARIAS

PISTONS



SPORT COMPACT CATALOG

PISTONS - CONNECTING RODS - PINS - RINGS -



- FASTENERS - LOCKS - GASKETS - BEARINGS

ARIAS PISTONS

Irvine, California - November 3, 2017 – CP-Carrillo, Inc. and Arias Industries, Inc., a high performance pistons manufacturer, jointly announced today that CP-Carrillo will acquire the Arias Pistons brand name, trademark and relocate their piston production to CP-Carrillo's main manufacturing facility in Irvine.

In 1969, Nick Arias Jr. and Carmen Arias started Arias Pistons as a small family owned business in Gardena, California. "With minimal staff and equipment, our parents began a journey that produced leading-edge and highly innovative products and most importantly, new client relations that the family still cherish today. Faced with the current industry consolidation, we have found in CP-Carrillo a strong partner to continue our mission to bring the highest quality, experience, performance and innovation to our customers," said Nick Arias III, son of Carmen and the late Nick Arias, Jr.

"Arias Pistons has endured the test of time, created a legendary history and we are beyond excited to continue this legacy. Both companies strive to provide the best internal engine components to the customer; and combining the Arias product offering with our high-volume manufacturing capabilities is taking it to the next level."

– Barry Calvert, CEO - CP-Carrillo



SPORT COMPACT CATALOG

ACURA B16A 1.6L DOHC

Stock Bore: 3.189/81 * Stroke: 3.047 * Rod: 5.290

PIN 827X2350 SPIRO LOCKS

Bore: Inch/mm	Comp. Height	Dome CC	Comp. B16A 42.7cc	Comp. GSR 41.6cc	Gram Weight	Part #	Rings Included
Inverted dome top				Turbo/Nitrous			
3.189 / 81.00	1.180	-9.4	8.10	8.40	271	3320012	1212303189
3.192 / 81.06	1.180	-7.9	8.30	8.40	272	3320001	1515403190
3.209 / 81.50	1.180	-8.0	8.30	8.50	273	3320203	1212303209
3.228 / 82.00	1.180	-8.0	8.40	8.60	289	3320221	1212303228
3.268 / 83.00	1.180	-8.7	8.50	8.60	289	3320701	1212303268
3.307 / 84.00	1.180	-11.8	8.20	8.40	297	3320801	1212303307
3.327 / 84.50	1.180	-11.8	8.30	8.50	298	3320901	1212303327
3.346 / 85.00	1.180	-9.6	8.70	8.80	310	3320751	1212303346
3.366 / 85.50	1.180	-9.6	8.70	8.80	TBD	3320780	1212303366
Spherical dish							
3.307 / 84.00	1.180	-5.5	9.10	9.28	304	3370000	1212303307
3.327 / 84.50	1.180	-5.5	9.20	9.38	312	3370020	1212303327
3.346 / 85.00	1.180	-5.5	9.30	9.45	317	3370040	1212303346
Flat top							
3.189 / 81.00	1.180	-3.0	9.00	9.20	262	3310212	1212303189
3.192 / 81.08	1.180	-2.3	9.00	9.20	262	3310201	1515403190
3.209 / 81.50	1.180	-3.0	9.10	9.20	271	3310404	1212303209
3.228 / 82.00	1.180	-3.0	9.20	9.30	286	3310220	1212303228
3.268 / 83.00	1.180	-3.0	9.30	9.50	293	3310503	1212303268
3.307 / 84.00	1.180	-3.0	9.50	9.70	295	3310001	1212303307
3.327 / 84.50	1.180	-3.0	9.60	9.80	305	3310101	1212303327
3.346 / 85.00	1.180	-3.0	9.70	9.90	302	3310151	1212303346
3.366 / 85.50	1.180	-3.0	9.70	9.90	TBD	3310780	1212303366
3.386 / 86.00	1.180	-3.0	9.90	10.10	307	3310800	1212303386
Dome Top				All Motor			
3.189 / 81.00	1.180	5.6	10.80	11.10	275	3330221	1012283189
3.189 / 81.00	1.180	6.9	11.10	11.40	278	3330211	1012283189
3.192 / 81.08	1.180	8.9	11.70	12.00	278	3330200	1515403190
3.209 / 81.50	1.180	4.2	10.60	10.80	281	3330411	1012283209
3.209 / 81.50	1.180	6.9	11.20	11.50	283	3330402	1012283209
3.228 / 82.00	1.180	6.6	11.30	11.60	286	3330420	1012283228
3.307 / 84.00	1.180	0.5	10.00	10.30	313	3330490	1012283307
3.307 / 84.00	1.180	4.3	11.05	11.35	302	3330511	1012283307
3.307 / 84.00	1.180	7.3	11.90	12.20	303	3330520	1012283307
3.327 / 84.50	1.180	0.5	10.74	11.00	314	3330590	1012283327
3.327 / 84.50	1.180	4.3	11.20	11.50	302	3330611	1012283327
3.327 / 84.50	1.180	7.3	12.00	12.40	301	3330620	1012283327
3.346 / 85.00	1.180	2.5	10.90	11.20	313	3330690	1012283346
3.346 / 85.00	1.180	7.3	12.10	12.50	313	3330700	1012283346
3.366 / 85.50	1.180	2.5	11.20	11.40	TBD	3330770	1012283366
3.366 / 85.50	1.180	7.3	12.40	12.70	TBD	3330780	1012283366
3.386 / 86.00	1.180	2.5	11.20	11.40	326	3330790	1012283386
3.386 / 86.00	1.180	7.3	12.40	12.70	322	3330800	1012283386

ACURA B17A1 1.7L DOHC

Stock Bore: 3.189/81 * Stroke: 3.205 * Rod: 5.208

PIN 827X2350 SPIRO LOCKS

Bore: Inch/mm	Comp. Height	Dome CC	Comp. B16A 42.7cc	Comp. GSR 41.6cc	Gram Weight	Part #	Rings Included
Inverted dome top				Turbo/Nitrous			
3.189 / 81.00	1.180	-9.4	8.40	8.50	271	3320012	1212303189
3.192 / 81.06	1.180	-7.9	8.60	8.70	272	3320001	1515403190
3.209 / 81.50	1.180	-8.0	8.70	8.80	273	3320203	1212303209
3.228 / 82.00	1.180	-8.0	8.70	8.90	289	3320220	1212303228
3.268 / 83.00	1.180	-8.7	8.80	9.00	289	3320701	1212303268
3.307 / 84.00	1.180	-11.8	8.60	8.70	297	3320801	1212303307
3.327 / 84.50	1.180	-11.8	8.70	8.80	298	3320901	1212303327
3.346 / 85.00	1.180	-9.6	9.00	9.20	310	3320751	1212303346
3.366 / 85.50	1.180	-9.6	9.10	9.30	TBD	3320780	1212303366
Spherical dish							
3.307 / 84.00	1.180	-5.5	9.50	9.70	304	3370000	1212303307
3.327 / 84.50	1.180	-5.5	9.60	9.80	312	3370020	1212303327
3.346 / 85.00	1.180	-5.5	9.70	9.90	317	3370040	1212303346
Flat top							
3.189 / 81.00	1.180	-3.0	9.30	9.50	262	3310212	1212303189
3.192 / 81.06	1.180	-3.0	9.50	9.70	262	3310201	1515403190
3.209 / 81.50	1.180	-3.0	9.40	9.60	271	3310404	1212303209
3.228 / 82.00	1.180	-3.0	9.50	9.70	286	3310220	1212303228
3.268 / 83.00	1.180	-3.0	9.70	9.90	293	3310503	1212303268
3.307 / 84.00	1.180	-3.0	9.90	10.10	295	3310001	1212303307
3.327 / 84.50	1.180	-3.0	10.00	10.20	305	3310101	1212303327
3.346 / 85.00	1.180	-3.0	10.10	10.30	302	3310151	1212303346
3.366 / 85.50	1.180	-3.0	9.70	9.90	TBD	3310780	1212303366
3.386 / 86.00	1.180	-3.0	10.30	10.50	307	3310800	1212303386
Dome Top				All Motor			
3.189 / 81.00	1.180	2.0	12.20	12.50	TBD	3330221	1012283189
3.189 / 81.00	1.180	7.0	12.50	12.80	TBD	3330211	1012283189
3.192 / 81.06	1.180	7.0	12.10	13.50	TBD	3330200	1515403190
3.209 / 81.50	1.180	2.0	11.90	12.20	TBD	3330411	1012283209
3.209 / 81.50	1.180	7.4	12.60	12.90	TBD	3330402	1012283209
3.228 / 82.00	1.180	6.6	12.70	13.00	TBD	3330420	1012283228
3.307 / 84.00	1.180	0.5	11.50	11.80	TBD	3330490	1012283307
3.307 / 84.00	1.180	1.7	12.50	12.80	TBD	3330511	1012283307
3.307 / 84.00	1.180	7.4	13.40	13.80	TBD	3330520	1012283307
3.327 / 84.50	1.180	0.5	11.70	12.00	TBD	3330590	1012283327
3.327 / 84.50	1.180	1.4	12.70	13.00	TBD	3330611	1012283327
3.327 / 84.50	1.180	7.4	16.30	13.90	TBD	3330620	1012283327
3.346 / 85.00	1.180	2.5	12.30	12.60	TBD	3330690	1012283346
3.346 / 85.00	1.180	7.4	13.70	14.00	TBD	3330700	1012283346
3.366 / 85.50	1.180	2.5	11.20	11.40	TBD	3330770	1012283366
3.366 / 85.50	1.180	7.3	12.40	12.70	TBD	3330780	1012283366
3.386 / 86.00	1.180	2.5	12.60	12.80	TBD	3330790	1012283386
3.386 / 86.00	1.180	7.4	13.90	14.30	TBD	3330800	1012283386

ARIAS PISTONS

ACURA B18A1,B1 1.8L

Stock Bore: 3.189/81 * Stroke: 3.047 * Rod: 5.290

PIN 827X2350 SPIRO LOCKS

Bore: Inch/mm	Comp. Height	Dome CC	Comp. B16A 42.7cc	Comp. GSR 41.6cc	Gram Weight	Part #	Rings Included
Inverted dome top				Turbo/Nitrous			
3.189 / 81.00	1.180	-9.4	9.10	9.30	271	3320012	1212303189
3.192 / 81.06	1.180	-7.9	9.10	9.50	272	3320001	1515403190
3.209 / 81.50	1.180	-8.0	9.40	9.50	273	3320203	1212303209
3.228 / 82.00	1.180	-8.0	9.50	9.60	289	3320220	1212303228
3.268 / 83.00	1.180	-8.7	9.50	9.70	289	3320701	1212303268
3.307 / 84.00	1.180	-11.8	9.30	9.40	297	3320801	1212303307
3.327 / 84.50	1.180	-11.8	9.40	9.50	298	3320901	1212303327
3.346 / 85.00	1.180	-9.6	9.80	9.90	310	3320751	1212303346
3.366 / 85.50	1.180	-9.6	9.90	10.00	TBD	3320780	1212303366
Spherical dish							
3.307 / 84.00	1.180	-5.5	10.30	10.50	304	3370000	1212303307
3.327 / 84.50	1.180	-5.5	10.40	10.60	312	3370020	1212303327
3.346 / 85.00	1.180	-5.5	10.50	10.70	317	3370040	1212303346
Flat top							
3.189 / 81.00	1.180	-3.0	10.10	10.30	262	3310212	1212303189
3.192 / 81.06	1.180	-2.3	10.20	10.40	262	3310201	1515403190
3.209 / 81.50	1.180	-3.0	10.20	10.50	271	3310404	1212303209
3.228 / 82.00	1.180	-3.0	10.30	10.60	286	3310220	1212303228
3.268 / 83.00	1.180	-3.0	10.50	10.70	293	3310503	1212303268
3.307 / 84.00	1.180	-3.0	10.70	10.90	295	3310001	1212303307
3.327 / 84.50	1.180	-3.0	10.80	11.00	305	3310101	1212303327
3.346 / 85.00	1.180	-3.0	10.90	11.10	302	3310151	1212303346
3.366 / 85.50	1.180	-3.0	11.00	11.20	TBD	3310780	1212303366
3.386 / 86.00	1.180	-3.0	11.10	11.30	307	3310800	1212303386
Dome Top				All Motor			
3.189 / 81.00	1.180	5.6	12.20	12.50	275	3330221	1012283189
3.189 / 81.00	1.180	6.9	12.50	12.80	278	3330211	1012283189
3.192 / 81.06	1.180	8.9	12.10	13.50	278	3330200	1515403190
3.209 / 81.50	1.180	4.2	11.90	12.20	281	3330411	1012283209
3.209 / 81.50	1.180	6.9	12.60	12.90	283	3330402	1012283209
3.228 / 82.00	1.180	6.6	12.70	13.00	286	3330420	1012283228
3.307 / 84.00	1.180	0.5	11.50	11.80	313	3330490	1012283307
3.307 / 84.00	1.180	4.3	12.50	12.83	302	3330511	1012283307
3.307 / 84.00	1.180	7.3	13.40	13.80	303	3330520	1012283307
3.327 / 84.50	1.180	0.5	11.70	12.00	314	3330590	1012283327
3.327 / 84.50	1.180	4.3	12.70	13.00	302	3330611	1012283327
3.327 / 84.50	1.180	7.3	16.30	13.90	301	3330620	1012283327
3.346 / 85.00	1.180	2.5	12.30	12.60	313	3330690	1012283346
3.346 / 85.00	1.180	7.3	13.70	14.00	313	3330700	1012283346
3.366 / 85.50	1.180	2.5	12.50	12.70	TBD	3330770	1012283366
3.366 / 85.50	1.180	7.3	13.80	14.20	TBD	3330780	1012283366
3.386 / 86.00	1.180	2.5	12.60	12.80	326	3330790	1012283386
3.386 / 86.00	1.180	7.3	13.90	14.30	322	3330800	1012283386

ACURA B18C1 1.8L DOHC

Stock Bore: 3.189/81 * Stroke: 3.433 * Rod: 5.429

PIN 827X2350 SPIRO LOCKS

1994-01 Integra GSR

Bore: Inch/mm	Comp. Height	Dome CC	Comp. B16A 42.7cc	Comp. GSR 41.6cc	Gram Weight	Part #	Rings Included
Inverted dome top				Turbo/Nitrous			
3.189 / 81.00	1.180	-9.4	8.90	9.10	271	3320012	1212303189
3.192 / 81.06	1.180	-7.9	9.10	9.30	272	3320001	1515403190
3.209 / 81.50	1.180	-8.0	9.20	9.30	273	3320203	1212303209
3.228 / 82.00	1.180	-8.0	9.30	9.40	289	3320220	1212303228
3.268 / 83.00	1.180	-8.7	9.40	9.50	289	3320701	1212303268
3.307 / 84.00	1.180	-11.8	9.10	9.20	297	3320801	1212303307
3.327 / 84.50	1.180	-11.8	9.20	9.30	298	3320901	1212303327
3.346 / 85.00	1.180	-9.6	9.60	9.70	310	3320751	1212303346
3.366 / 85.50	1.180	-9.6	9.70	9.80	TBD	3320780	1212303366
Spherical dish							
3.307 / 84.00	1.180	-5.5	10.10	10.30	304	3370000	1212303307
3.327 / 84.50	1.180	-5.5	10.10	10.30	312	3370020	1212303327
3.346 / 85.00	1.180	-5.5	10.10	10.30	317	3370040	1212303346
Flat top							
3.189 / 81.00	1.180	-3.0	9.90	10.10	262	3310212	1212303189
3.192 / 81.06	1.180	-2.3	10.00	10.20	262	3310201	1515403190
3.209 / 81.50	1.180	-3.0	10.00	10.20	271	3310404	1212303209
3.228 / 82.00	1.180	-3.0	10.10	10.30	286	3310220	1212303228
3.268 / 83.00	1.180	-3.0	10.30	10.50	293	3310503	1212303268
3.307 / 84.00	1.180	-3.0	10.50	10.70	295	3310001	1212303307
3.327 / 84.50	1.180	-3.0	10.60	10.80	305	3310101	1212303327
3.346 / 85.00	1.180	-3.0	10.70	10.90	302	3310151	1212303346
3.366 / 85.50	1.180	-3.0	10.80	11.00	TBD	3310780	1212303366
3.386 / 86.00	1.180	-3.0	10.90	11.10	307	3310800	1212303386
Dome Top				All Motor			
3.189 / 81.00	1.180	5.6	11.90	12.20	275	3330221	1012283189
3.189 / 81.00	1.180	6.9	12.20	12.60	278	3330211	1012283189
3.192 / 81.06	1.180	8.9	12.80	13.20	278	3330200	1515403190
3.209 / 81.50	1.180	4.2	11.70	11.90	281	3330411	1012283209
3.209 / 81.50	1.180	6.9	12.40	12.70	283	3330402	1012283209
3.228 / 82.00	1.180	6.6	12.40	12.70	286	3330420	1012283228
3.307 / 84.00	1.180	0.5	11.50	11.80	313	3330490	1012283307
3.307 / 84.00	1.180	4.3	12.40	12.70	302	3330511	1012283307
3.307 / 84.00	1.180	7.3	13.10	13.40	303	3330520	1012283307
3.327 / 84.50	1.180	0.5	11.60	11.90	314	3330590	1012283327
3.327 / 84.50	1.180	4.3	12.50	12.80	302	3330611	1012283327
3.327 / 84.50	1.180	7.3	13.20	13.60	301	3330620	1012283327
3.346 / 85.00	1.180	2.5	12.00	12.30	313	3330690	1012283346
3.346 / 85.00	1.180	7.3	13.40	13.70	313	3330700	1012283346
3.366 / 85.50	1.180	2.5	12.20	12.50	TBD	3330770	1012283366
3.366 / 85.50	1.180	7.3	13.50	13.90	TBD	3330780	1012283366
3.386 / 86.00	1.180	2.5	12.30	12.60	326	3330790	1012283386
3.386 / 86.00	1.180	7.3	13.60	14.00	322	3330800	1012283386

ARIAS PISTONS

HONDA D16Y7, D16Z6-Y8 1.6L SOHC

Stock Bore: 2.953/75 * Stroke: 3.543 * Rod: 5.394

PIN 748X2050CH

1992-02 Civic, 92-97 Del Sol

Bore: Inch/mm	Comp. Height	Dome CC	Comp. Y7/Z6 34.6cc	Comp. Y8 32.8cc	Gram Weight	Part #	Rings Included
Dish Top Turbo/Nitrous							
2.955 / 75.05	1.181	-11.3	9.00	9.40	244	3321201	1012282954
2.973 / 75.50	1.181	-11.3	9.05	9.45	251	3321211	1012282973
2.992 / 76.00	1.181	-11.3	9.10	9.50	255	3321240	1012282992
Flat top All Motor/Nitrous							
2.955 / 75.05	1.175	-3.5	TBD	TBD	263	3311200	1012282954
2.973 / 75.50	1.175	-3.5	TBD	TBD	266	3311210	1012282973
2.992 / 76.00	1.175	-3.5	TBD	TBD	273	3311240	1012282992
Dome Top All Motor/Nitrous							
2.955 / 75.05	1.181	-0.4	11.60	11.90	242	3330900	1012282954
2.973 / 75.50	1.181	-0.4	11.60	11.90	243	3330910	1012282973
2.973 / 75.50	1.181	4.7	13.00	13.40	257	3331910	1012282973
2.992 / 76.00	1.181	-0.4	11.65	11.95	247	3330940	1012282992
2.992 / 76.00	1.181	4.7	13.25	13.65	263	3331940	1012282992
3.0315 / 77.00	1.181	-0.8	11.50	11.90	TBD	3330980	1012283031
3.0315 / 77.00	1.181	4.7	13.50	13.90	TBD	3331980	1012283031

HONDA F20C 2.0L DOHC

Stock Bore: 3.425/87 * Stroke: 3.307 * Rod: 6.024 * Head cc: 55

PIN 905

Bore: Inch/mm	Comp. Height	Dome CC	Compression	Gram Weight	Part #	Rings Included
Flat top Turbo/Nitrous						
3.386 / 86.00	1.180	8.0	11.50	332	3330500	1012283386
3.386 / 86.00	1.180	13.0	12.80	323	3335500	1012283386
3.406 / 86.50	1.180	8.0	11.50	335	3330600	1012283406
3.406 / 86.50	1.180	13.0	12.90	326	3335520	1012283406
Dome Top						
3.425 / 87.0	1.141	4.3	10.00	354	3332500	1212303425
3.425 / 87.0	1.181	6.0	11.50	317	3332000	1012283425
3.445 / 87.5	1.141	3.5	10.00	355	3332520	1212303445
3.445 / 87.5	1.181	6.0	11.60	323	3332010	1012283445
3.4645 / 88.0	1.141	2.9	10.00	357	3332540	1212303465
3.4645 / 88.0	1.181	4.8	11.50	331	3332020	1012283465
3.504 / 89.0	1.141	2.3	10.10	365	3332580	1212303504
3.504 / 89.0	1.181	3.8	11.50	345	3332040	1012283504

HONDA F22C 2.2L DOHC

Stock Bore: 3.425/87 * Stroke: 3.573 * Rod: 5.892 * Head cc: 55

PIN 905

Bore: Inch/mm	Comp. Height	Dome CC	Compression	Gram Weight	Part #	Rings Included
Flat top Turbo/Nitrous						
3.425 / 87.0	1.141	-3.0	9.40	342	3322000	1012283425
3.425 / 87.0	1.141	4.3	10.60	354	3332500	1212303425
3.445 / 87.5	1.141	-3.0	9.60	347	3322010	1012283445
3.445 / 87.5	1.141	3.5	10.60	TBD	3332520	1212303445
3.4645 / 88.0	1.141	-3.0	9.65	TBD	3322020	1012283465
3.4645 / 88.0	1.141	2.9	10.60	TBD	3332540	1212303465
3.504 / 89.0	1.141	-3.0	9.65	TBD	3322040	1012283504
3.504 / 89.0	1.141	2.3	10.70	TBD	3332580	1212303504
Dome Top All motor/Turbo/Nitrous						
3.425 / 87.0	1.181	6.0	12.30	317	3332000	1012283425
3.445 / 87.5	1.181	6.0	12.50	323	3332010	1012283445
3.4645 / 88.0	1.181	4.8	12.40	331	3332020	1012283465
3.504 / 89.0	1.181	3.8	12.40	345	3332040	1012283504

HONDA F22A1 2.2L SOHC

Stock Bore: 3.346/85 * Stroke: 3.740 * Rod: 5.571 * Head cc: 50.5

PIN 866

Bore: Inch/mm	Comp. Height	Dome CC	Compression	Gram Weight	Part #	Rings Included
Dish Top Turbo/Nitrous						
3.386 / 86.00	1.210	-12.9	9.00	313	3320303	1212303386
Dish Top All Motor/Nitrous						
3.386 / 86.00	1.210	-2.9	10.50	345	3320102	1212303386
Dome Top All Motor						
3.386 / 86.00	1.210	5.0	12.00	315	3330250	1012283386

HONDA H22A1 2.2L DOHC

Stock Bore: 3.425/87 * Stroke: 3.571 * Rod: 5.630 * Head cc: 53.8

PIN 866

1992-01 Prelude Si

Bore: Inch/mm	Comp. Height	Dome CC	Compression	Gram Weight	Part #	Rings Included
Dish Top Turbo/Nitrous						
3.445 / 87.50	1.200	-15.0	8.40	330	3320402	1212303445
Flat Top						
3.445 / 87.50	1.200	-4.2	9.20	330	3310602	1212303445
Dome Top Turbo/Nitrous						
3.4252 / 87.00	1.200	0.4	10.00	TBD	3338801	1212303425
3.445 / 87.50	1.200	0.4	10.10	TBD	3338820	1212303445
3.4645 / 88.00	1.200	0.0	10.00	TBD	3338840	1212303465
3.504 / 89.00	1.200	-1.2	10.00	TBD	3338880	1212303504
Dome Top All Motor						
3.445 / 87.50	1.200	6.0	11.00	313	3330300	1012283445
3.4645 / 88.00	1.210	6.0	11.30	TBD	3330320	1012283465
3.4645 / 88.00	1.200	11.6	12.00	TBD	3332240	1012283465
3.504 / 89.00	1.200	11.6	12.30	TBD	3332280	1012283504

HONDA H23A1 2.3L DOHC

Stock Bore: 3.425/87 * Stroke: 3.740 * Rod: 5.571 * Head cc: 50

PIN 866

1992-95 Prelude

Bore: Inch/mm	Comp. Height	Dome CC	Compression	Gram Weight	Part #	Rings Included
Dish Top Turbo/Nitrous						
3.445 / 87.50*	1.200	-15.0	9.20	TBD	3320402	1212303445
Flat Top All motor/Turbo/Nitrous						
3.445 / 87.50*	1.200	-4.2	10.70	TBD	3310602	1212303445
Dome Top Turbo/Nitrous						
3.4252 / 87.00	1.200	0.4	11.00	TBD	3338800	1212303425
3.445 / 87.50	1.200	0.4	11.10	TBD	3338820	1212303445
3.4645 / 88.00	1.200	0.0	11.00	TBD	3338840	1212303465
3.504 / 89.00	1.200	-1.2	11.00	TBD	3338880	1212303504
Dome Top All Motor						
3.445 / 87.50	1.200	6.0	13.25	313	3330300	1012283445
3.4645 / 88.00	1.210	6.0	13.40	TBD	3330320	1012283465
3.4645 / 88.00	1.200	10.0	14.00	TBD	3332240	1012283465
3.504 / 89.00	1.200	10.0	14.30	TBD	3332280	1012283504

HONDA L15A 1.5L

Stock Bore: 2.874/73 * Stroke: 3.520 * Rod: 5.866 * Head cc: 53.8

PIN 708X2.050

Fit, Jazz

Bore: Inch/mm	Comp. Height	Dome CC	Compression	Gram Weight	Part #	Rings Included
Dish Top Turbo/Nitrous						
2.874 / 73.00	1.030	-16.7	9.00	TBD	3321500	1012202874
2.8937 / 73.50	1.030	-16.7	9.10	TBD	3321510	1012202894
Flat Top Na Gas/Nitrous						
2.874 / 73.00	1.030	FLAT	12.50	TBD	3311500	1012202874
2.8937 / 73.50	1.030	FLAT	12.60	TBD	3311510	1012202894

SPORT COMPACT CATALOG

HONDA RA18A1/A2 1.8L

Stock Bore: 3.189/81 * Stroke: 3.433/87.3 * Rod: 6.201/157.5						
PIN 787X2350				Civic 2006-07-UP FA1/FD1/FG1/FK2/FN1		
Bore: Inch/mm	Comp. Height	Dome CC	Compression	Gram Weight	Part #	Rings Included
Inverted Dome Top All Motor/Nitrous						
3.189 / 81.00	1.135	-11.2	9.00	TBD	3321800	1212303189
3.2087 / 81.50	1.135	-11.7	9.00	TBD	3321820	1212303209

DODGE EDV/EDT 2.4L

Stock Bore: 3.445/87.5 * Stroke: 3.976 * Rod: 5.945 * Head cc: 49						
PIN 866X2350				SRT4		
Bore: Inch/mm	Comp. Height	Dome CC	Compression	Gram Weight	Part #	Rings Included
Dish Top Turbo/Nitrous						
3.445 / 87.50	1.430	-20	8.5	366	3120000	1515403445
3.4645 / 88.00	1.430	-20	8.6	373	3120010	1515403465

FORD Ecoboost 2.3L

Stock Bore: 3.445/87.5 * Stroke: 3.701/94.0 * Rod: 5.927/150.5 * Head cc: 51.2 PIN 866X2350						
				Focus GTDi		
Bore: Inch/mm	Comp. Height	Dome CC	Compression	Gram Weight	Part #	Rings Included
Dish Top Turbo/Nitrous						
3.445 / 87.50	1.245	-4.2	8.90	TBD	3228600	1212303445
3.4645 / 88.00	1.245	-4.2	9.00	TBD	3228620	1212303464

MAZDA B6 Miata 1.6L

Stock Bore: 3.071/78.5 * Stroke: 3.291/83.59, 3.291 * Rod: 5.233 * Head cc: 37.5 PIN 787X2350						
				Miata		
Bore: Inch/mm	Comp. Height	Dome CC	Compression	Gram Weight	Part #	Rings Included
Dish Top Turbo/Nitrous						
3.091 / 78.51	1.255	-11.1	8.50	TBD	3920100	1215403091

MAZDA BP18 1.8L

Stock Bore: 3.268/83 * Stroke: 3.346/85 * Rod: 5.233 * Head cc: 48 PIN 787X2350						
				MX5		
Bore: Inch/mm	Comp. Height	Dome CC	Compression	Gram Weight	Part #	Rings Included
Dish Top Turbo/Nitrous						
3.287 / 83.50	1.230	-11.5	8.20	TBD	3920200	1215403287
Dome Top All Motor						
3.307 / 84.00	1.230	7.9	11.50	TBD	3930000	1012283307

MAZDA Mazdaspeed 3 1.6L

Stock Bore: 3.445/87.5 * Stroke: 3.701/94 * Rod: 5.927/150.55 * Head cc: 42						
Bore: Inch/mm	Comp. Height	Dome CC	Compression	Gram Weight	Part #	Rings Included
Dish Top Turbo/Nitrous						
3.445 / 87.50	1.270	TBD	TBD	TBD	3920000	TBD

MITSUBISHI 4B11T

Stock Bore: 3.386/86 * Stroke: 3.386 * Rod Length: 5.659 * Head cc: 49 PIN 905X2350						
				2008+ Evo10		
Bore: Inch/mm	Comp. Height	Dome CC	Compression	Gram Weight	Part #	Rings Included
Dish Top Turbo/Nitrous						
3.386 / 86.00	1.310	-6.5	8.80	349	3420600	1212303386
3.4055 / 86.50	1.310	-6.5	8.90	356	3420610	1212303406
3.425 / 87.00	1.310	-6.5	9.00	369	3420620	1212303425

MITSUBISHI 4G63 2.0L

Stock Bore: 3.346/85 * Stroke: 3.465 * Rod: 5.906 * Head cc: 47 PIN .827						
				1st Gen Eclipse, Eagle Talon		
Bore: Inch/mm	Comp. Height	Dome CC	Compression	Gram Weight	Part #	Rings Included
Dish Top Turbo/Nitrous						
3.366 / 85.50	1.375	-11.0	8.70	365	3420301	1515403366
3.386 / 86.00	1.375	-11.0	8.80	365	3420101	1515403386

MITSUBISHI 4G63-100mm Stroker

Stock Bore: 3.346/85 * Stroke: 3.937 * Rod Length: 5.906 * Head cc: 47 PIN .827						
				1st Gen Eclipse, Eagle Talon		
Bore: Inch/mm	Comp. Height	Dome CC	Compression	Gram Weight	Part #	Rings Included
Dish Top Turbo/Nitrous						
3.366 / 85.50	1.135	-20.0	8.50	306	3420350	1515403366

MITSUBISHI 4G63 2.0L

Stock Bore: 3.346/85 * Stroke: 3.4645 * Rod: 5.906 * Head cc: 47 PIN .866						
				2nd Gen Eclipse, Eagle Talon		
Bore: Inch/mm	Comp. Height	Dome CC	Compression	Gram Weight	Part #	Rings Included
Dish Top Turbo/Nitrous						
3.346 / 85.00	1.375	-11.0	8.50	343	3420250	1212403346
3.366 / 85.50	1.375	-11.0	8.70	362	3420401	1515403366
3.386 / 86.00	1.375	-11.0	8.80	362	3420201	1515403386
Flat Top Turbo/Nitrous						
3.346 / 85.00	1.375	-3.7	9.30	364	3410250	1212303346
3.366 / 85.50	1.375	-3.7	9.40	366	3410400	1212303366
3.386 / 86.00	1.375	-3.7	9.50	373	3410200	1212303386

MITSUBISHI 4G63-100mm Stroker

Stock Bore: 3.346/85 * Stroke: 3.937 * Rod Length: 5.906 * Head cc: 47 PIN .866						
				2nd Gen Eclipse, Eagle Talon		
Bore: Inch/mm	Comp. Height	Dome CC	Compression	Gram Weight	Part #	Rings Included
Dish Top Turbo/Nitrous						
3.366 / 85.50	1.135	-20.0	8.90	300	3420450	1515403366
3.386 / 86.00	1.135	-20.0	9.00	309	3420460	1515403386

MITSUBISHI 4G63-94mm Stroker

Stock Bore: 3.346/85 * Stroke: 3.701 * Rod Length: 5.906 * Head cc: 47 PIN .866						
				2nd Gen Eclipse, Eagle Talon		
Bore: Inch/mm	Comp. Height	Dome CC	Compression	Gram Weight	Part #	Rings Included
Dish Top Turbo/Nitrous						
3.346 / 85.00	1.253	-13.0	8.70	321	3420410	1212303346
3.366 / 85.50	1.253	-13.0	8.80	325	3420420	1515303366
3.386 / 86.00	1.253	-13.0	8.90	330	3420430	1515303386

MITSUBISHI 4G63-94mm Stroker

Stock Bore: 3.346/85 * Stroke: 3.701 * Rod Length: 5.906 * Head cc: 43 PIN .866						
				2003-04 Evo VIII		
Bore: Inch/mm	Comp. Height	Dome CC	Compression	Gram Weight	Part #	Rings Included
Dish Top Turbo/Nitrous						
3.346 / 85.00	1.253	-13.0	9.20	TBD	3420410	1212303346
3.366 / 85.50	1.253	-13.0	9.25	TBD	3420420	1515303366
3.386 / 86.00	1.253	-13.0	9.40	TBD	3420430	1515303386

ARIAS PISTONS

MITSUBISHI 4G64 2.4L DOHC

WITH 4G63 Head Stock Bore: 3.4055/86.5 * Stroke: 3.937 *

Rod Length: 5.906 * Head cc: 43 PIN 866X2350

Bore: Inch/mm	Comp. Height	Dome CC	Compression	Gram Weight	Part #	Rings Included
Dish Top Turbo/Nitrous						
3.4055 / 86.50	1.375	-19.0	9.00	354	3420800	1212303406
3.425 / 87.00	1.375	-19.0	9.10	356	3420820	1212303425
3.4055 / 86.50	1.375	-11.0	10.00	TBD	3420850	1212303406
3.425 / 87.00	1.375	-11.0	10.10	TBD	3420870	1212303425

MITSUBISHI G54B 2.6L

Stock Bore: 3.586/91.08 * Stroke: 3.858 * Rod: 6.535 * Head cc: 64

* Gasket: .052 PIN 866X2350 Starion, Conquest

Bore: Inch/mm	Comp. Height	Dome CC	Compression	Gram Weight	Part #	Rings Included
Dish Top Turbo/Nitrous						
3.622 / 92.00	1.390	-9.2	8.75	394	3420501	1215403622

MITSUBISHI 4G93

Stock Bore: 3.189/81 * Stroke: 3.504 * Rod Length: 5.250 *

Head cc: 45.5 PIN 748X2350 1997-02 Mirage & Lancer

Bore: Inch/mm	Comp. Height	Dome CC	Compression	Gram Weight	Part #	Rings Included
Dish Top Turbo/Nitrous						
3.209 / 81.50	1.210	-9.2	8.50	292	3420710	1212303209
3.209 / 81.50	1.195	-5.5	9.00	294	3420720	1212303209
3.2283 / 82.00	1.195	-5.5	9.10	301	3420740	1212303228

NISSAN CA18DET 1.8L 16 valve

Stock Bore: 3.268/83 * Stroke: 3.291 * Rod: 5.236 * Head cc: 51

PIN 787X2350

Bore: Inch/mm	Comp. Height	Dome CC	Compression	Gram Weight	Part #	Rings Included
Dish Top Turbo/Nitrous						
3.287 / 83.50	1.181	-5.0	8.40	316	3520600	1212303267
3.307 / 84.00	1.181	-5.0	8.50	360	3520610	1212403307

NISSAN KA24DE 2.4L DOHC 16 valve

Stock Bore: 3.504/89 * Stroke: 3.780 * Rod: 6.496 * Head cc: 43

PIN 827X2350

Bore: Inch/mm	Comp. Height	Dome CC	Compression	Gram Weight	Part #	Rings Included
Dish Top Turbo/Nitrous						
3.504 / 89.00	1.340	-11.5	8.70	TBD	3520300	1515403504
3.524 / 89.50	1.340	-11.5	8.80	TBD	3520400	1515403524
Dish Top All Motor/Nitrous						
3.504 / 89.00	1.340	10.4	10.70	TBD	3530100	1012283504
3.524 / 89.50	1.340	10.4	10.80	TBD	3530120	1012283524

NISSAN KA24E 2.4L SOHC 12 valve

Stock Bore: 3.504/89 * Stroke: 3.780 * Rod: 6.496 * Head cc: 62

PIN 827X2350

Bore: Inch/mm	Comp. Height	Dome CC	Compression	Gram Weight	Part #	Rings Included
Dish Top Turbo/Nitrous						
3.504 / 89.00	1.340	-11.5	8.70	TBD	3520300	1515403504
3.524 / 89.50	1.340	-11.5	8.80	TBD	3520400	1515403524
Dome Top All Motor/Nitrous						
3.504 / 89.00	1.340	10.4	10.70	TBD	3530100	1012283504
3.524 / 89.50	1.340	10.4	10.80	TBD	3530120	1012283524

NISSAN RB20

Stock Bore: 3.071/78 * Stroke: 2.744 * Rod: 5.366 * Head cc: 46.5

PIN 827X2350

Bore: Inch/mm	Comp. Height	Dome CC	Compression	Gram Weight	Part #	Rings Included
Dish Top Turbo/Nitrous						
3.091 / 78.50	1.260	-2.0	8.50	302	3530550	1215403091
3.110 / 79.00	1.260	-2.0	8.60	304	3530560	1215403110

NISSAN RB25

Stock Bore: 3.386/86 * Stroke: 2.823 * Rod: 4.783 * Head cc: 66.5

PIN 827X2350

Bore: Inch/mm	Comp. Height	Dome CC	Compression	Gram Weight	Part #	Rings Included
Dish Top Turbo/Nitrous						
3.386 / 86.00	1.235	12.5	8.00	360	3530400	1212303386
3.386 / 86.00	1.235	25	10.00	TBD	3532500	1212303386
3.406 / 86.50	1.235	12.5	8.10	366	3530510	1215303406
3.406 / 86.50	1.235	25	10.10	TBD	3532520	1212303406
3.425 / 87.00	1.235	12.5	9.10	373	3530530	1215303425
3.425 / 87.00	1.235	25	10.20	TBD	3532540	1212303425

NISSAN RB26

Stock Bore: 3.386/86 * Stroke: 2.901 * Rod: 4.783 * Head cc: 70

PIN 827X2350

Bore: Inch/mm	Comp. Height	Dome CC	Compression	Gram Weight	Part #	Rings Included
Dish Top Turbo/Nitrous						
3.386 / 86.00	1.185	16	8.00	372	3630610	1215303386
3.386 / 86.00	1.185	25.2	10.00	TBD	3532600	1212303386
3.406 / 86.50	1.185	15.4	8.00	377	3530630	1215303406
3.406 / 86.50	1.185	25.2	10.10	TBD	3532620	1212303406
3.425 / 87.00	1.185	14.7	8.00	384	3530650	1215303425
3.425 / 87.00	1.185	25.2	10.20	TBD	3532640	1212303425

NISSAN RB30

Stock Bore: 3.386/86 * Stroke: 3.346 * Rod: 6.004 * Head cc: 70

PIN 827X2350

Bore: Inch/mm	Comp. Height	Dome CC	Compression	Gram Weight	Part #	Rings Included
Dish Top Turbo/Nitrous						
3.406 / 86.50	1.280	-10.4	TBD	355	3530660	1215303406
3.425 / 87.00	1.280	-10.4	TBD	365	3530670	1215303425

NISSAN RB30 with RB25 Head

Stock Bore: 3.386, 86.0mm * Stroke: 3.346 * Rod: 6.004 *

Head cc: 66.5

Bore: Inch/mm	Comp. Height	Dome CC	Compression	Gram Weight	Part #	Rings Included
Dish Top Turbo/Nitrous						
3.406 / 86.50	1.280	12.8	TBD	TBD	3530680	1515403406

NISSAN SR20DET 2.0L DOHC

Stock Bore: 3.386/86 * Stroke: 3.386 * Rod: 5.366 * Head cc: 46.5

PIN 866X2350

Bore: Inch/mm	Comp. Height	Dome CC	Compression	Gram Weight	Part #	Rings Included
Dish Top Turbo/Nitrous						
3.386 / 86.00	1.260	-13.8	8.50	331	3520090	1212303386
3.4055 / 86.50	1.260	-13.8	8.50	340	3520095	1212303406
3.4055 / 86.50	1.260	-10.4	9.00	337	3520101	1212303406
3.425 / 87.00	1.260	-15.0	8.50	342	3520110	1212303425

SPORT COMPACT CATALOG

NISSAN SR20VE, SR20VET 2.0L DOHC

Stock Bore: 3.386/86 * Stroke: 3.386 * Rod: 5.366 *						
Head cc: 41.6 PIN 866X2350				1997-07		
Bore:	Comp.	Dome	Gram	Part #	Rings	
Inch/mm	Height	CC	Weight		Included	
Dish Top			Turbo/Nitrous			
3.386 / 86.00	1.260	-13.8	9.20	331	3520090	1212303386
3.4055 / 86.50	1.260	-14.6	9.10	340	3520095	1212303406
3.4055 / 86.50	1.260	-10.5	9.65	337	3520101	1212303406
3.425 / 87.00	1.260	-15	9.10	342	3520110	1212303425

NISSAN VG30DE, VG30DETT 3.0L DOHC

Stock Bore: 3.425/87 * Stroke: 3.270 * Rod: 6.071 * Head cc: 49.5						
PIN 866X2350				1990-96 300ZX		
Bore:	Comp.	Dome	Gram	Part #	Rings	
Inch/mm	Height	CC	Weight		Included	
Dish Top			All Motor/Nitrous			
3.445 / 87.50	1.255	-5.8	9.00	TBD	3520001	1212303445
3.445 / 87.50	1.255	2.7	10.60	TBD	3530000	1515403445

NISSAN VQ35DE 3.5L DOHC

Stock Bore: 3.760/95.5 * Stroke: 3.205 * Rod: 5.669 *						
Head cc: 57 PIN 866X2350				2000-UP 350Z, G35, Maxima, Altima		
Bore:	Comp.	Dome	Gram	Part #	Rings	
Inch/mm	Height	CC	Weight		Included	
Dish Top			Turbo/Nitrous			
3.760 / 95.50	1.174	-15.0	8.50	367	3520201	1212303760
3.780 / 96.00	1.174	-15.0	8.60	356	3520211	1212303780
3.780 / 96.00	1.170	-8.8	9.10	TBD	3520212	1212303780

NISSAN VR38DETT 3.8L DOHC

Stock Bore: 3.760/95.5 * Stroke: 3.480 * Rod: 6.496 *						
Head cc: 64 PIN 905X2500				GTR 2007-UP		
Bore:	Comp.	Dome	Gram	Part #	Rings	
Inch/mm	Height	CC	Weight		Included	
Dish Top			Turbo/Nitrous			
3.760 / 95.50	1.350	0.5	9.50	423	3530200	1212303760
3.780 / 96.00	1.350	0.5	9.60	437	3530300	1212303780

OPEL C20LET 2.0L DOHC

Stock Bore: 3.386/86 * Stroke: 3.386 * Rod: 5.630 * Head cc: 43						
PIN 827X2350						
Bore:	Comp.	Dome	Gram	Part #	Rings	
Inch/mm	Height	CC	Weight		Included	
Dish Top			Turbo/Nitrous			
3.392 / 86.16	1.200	-22.0	8.00	309	4320100	1515303392
3.4055 / 86.50	1.200	-22.0	8.00	318	4320110	1212303406
3.392 / 86.16	1.200	-9.6	9.45	330	4320120	1515303392
3.4055 / 86.50	1.200	-9.6	9.50	335	4320130	1212303406

SUBARU EJ20 2.0L DOHC

Stock Bore: 3.622/92 * Stroke: 2.953 * Rod: 5.137 *						
Head cc: 45 PIN 905X2500				2001-03 WRX		
Bore:	Comp.	Dome	Gram	Part #	Rings	
Inch/mm	Height	CC	Weight		Included	
Dish Top			Turbo/Nitrous			
3.642 / 92.50	1.289	-27.0	7.30	351	3620200	1215403642
3.642 / 92.50	1.289	-12.6	8.70	385	3620201	1215403642

SUBARU EJ20 2.0L DOHC-90.25mm Stroker

Stock Bore: 3.622/92 * Stroke: 3.553 * Rod: 6.457 *						
Head cc: 45				2001-03 WRX		
Bore:	Comp.	Dome	Gram	Part #	Rings	
Inch/mm	Height	CC	Weight		Included	
Dish Top			Turbo/Nitrous			
3.622 / 92.00	1.289	-26.5	8.50	366	3620400	1215403622
3.662 / 93.00	1.289	-14.5	10.00	376	3620410	1215403662

SUBARU EJ25 2.5L DOHC

Stock Bore: 3.917/99.5 * Stroke: 3.110 * Rod: 5.137 *						
Head cc: 48 PIN 905X2500				1997-98 Impreza RS		
Bore:	Comp.	Dome	Gram	Part #	Rings	
Inch/mm	Height	CC	Weight		Included	
Inverted Dome Top			Turbo/Nitrous			
3.937 / 100.00	1.190	-15.0	9.50	419	3620100	1215283937

SUBARU EJ25 2.5L SOHC

Stock Bore: 3.917/99.5 * Stroke: 3.110 * Rod: 5.167 *						
Head cc: 51 PIN 905X2500				1999-UP Impreza		
Bore:	Comp.	Dome	Gram	Part #	Rings	
Inch/mm	Height	CC	Weight		Included	
Inverted Dome Top			Turbo/Nitrous			
3.917 / 99.50	1.160	-23.3	8.30	374	3620000	1215283917

SUBARU EJ257 2.5L SOHC

Stock Bore: 3.917/99.5 * Stroke: 3.110 * Rod: 5.137 *						
Head cc: 51 PIN 905X2500				2004-UP WRX STI		
Bore:	Comp.	Dome	Gram	Part #	Rings	
Inch/mm	Height	CC	Weight		Included	
Inverted Dome Top			Turbo/Nitrous			
3.9175 / 99.50	1.208	-16.0	8.60	406	3620301	1215283917
3.9175 / 99.50	1.208	-8.8	9.40	405	3620325	1212203917
3.920 / 99.57	1.208	-16.0	8.60	413	3620301	1215283917
3.927 / 99.75	1.208	-16.0	8.70	403	3620315	1215283927
3.927 / 99.75	1.208	-8.4	9.50	TBD	3620330	1215283927
3.937 / 100.00	1.208	-16.0	8.70	411	3620311	1215283937
3.937 / 100.00	1.208	-8.4	9.50	410	3620335	1212203937

SUBARU BRZ FA20 (Toyota FR-S GT860)

Stock Bore: 3.386/86 * Stroke: 86 * Rod: 129.3 * Head cc: 39						
PIN 866X2350				Toyota FR-S GT86		
Bore:	Comp.	Dome	Gram	Part #	Rings	
Inch/mm	Height	CC	Weight		Included	
Inverted Dome Top			Turbo/Nitrous			
3.386 / 86.00	1.280	-10.5	10.00	317	3728620	1212303386
3.4055 / 86.50	1.280	-10.5	10.10	317	3728640	1212303406

TOYOTA 1GRFE 4.0L

Stock Bore: 3.701/94 * Stroke: 3.740/95 * Rod: 6.299 *						
Head cc: 48.5 PIN 866X2350				2003-UP Land Cruiser, 4Runner, FJ Cruiser, Tacoma, Tundra		
Bore:	Comp.	Dome	Gram	Part #	Rings	
Inch/mm	Height	CC	Weight		Included	
Inverted Dome Top			Turbo/Nitrous			
3.701 / 94.00	1.280	-16.6	10.00	404	3720500	1215303701
3.7205 / 94.50	1.280	-17.3	10.00	411	3720510	1215303720

ARIAS PISTONS

TOYOTA 1NZ-FE 1.5L

Stock Bore: 2.953/75 * Stroke: 3.334/84.7 * Rod: 5.543 * Head cc: 28.5 PIN 708X2050

Bore: Inch/mm	Comp. Height	Dome CC	Compression	Gram Weight	Part #	Rings Included
Dish Top Turbo/Nitrous						
2.955 / 75.06	1.088	-12.7	9.00	238	3720700	1012282954
2.973 / 75.50	1.088	-13.2	9.00	243	3720750	1012282973
Dome Top						
2.955 / 75.06	1.088	-2.1	12.00	225	3730700	1012282954
2.973 / 75.50	1.088	-2.5	12.00	229	3730750	1012282973

TOYOTA 3RZ-FE

Stock Bore: 3.740/95 * Stroke: 3.740 * Rod: 5.785 * Head cc: 58 PIN 945X2500

Bore: Inch/mm	Comp. Height	Dome CC	Compression	Gram Weight	Part #	Rings Included
Flat Top Turbo/Nitrous						
3.740 / 95.00	1.476	-17.0	9.00	439	3720370	1515403740
3.740 / 95.00	1.476	-7.5	10.00	TBD	3720380	1515403740
3.760 / 95.50	1.476	-23.5	8.50	430	3720350	1515403760
3.760 / 95.50	1.476	-17.0	9.10	TBD	3720375	1515403740
3.760 / 95.50	1.476	-7.5	10.10	457	3720390	1515403760

TOYOTA 2AZFE DOHC

Stock Bore: 3.484/88.5 * Stroke: 3.780 * Rod: 5.886 * Head cc: 40 PIN 866X2350

Bore: Inch/mm	Comp. Height	Dome CC	Compression	Gram Weight	Part #	Rings Included
Dish Top						
3.4845 / 88.50	1.300	-28.5	8.90	365	3720400	1515403484
3.504 / 89.00	1.300	-28.5	9.00	370	3720410	1515403504

TOYOTA 3SGTE 2.0L

Stock Bore: 3.386/86 * Stroke: 3.386 * Rod: 5.433 * Head cc: 53 PIN 866X2350

Bore: Inch/mm	Comp. Height	Dome CC	Compression	Gram Weight	Part #	Rings Included
Dish Top Turbo/Nitrous						
3.4055 / 86.50	1.375	-2.5	8.70	372	3710090	1212303406
3.425 / 87.00	1.375	-5.3	8.50	364	3710102	1212303425

TOYOTA 2JZGTE 3.0L

Stock Bore: 3.386/86 * Stroke: 3.386 * Rod: 5.590 * Head cc: 45 PIN 866X2350

Bore: Inch/mm	Comp. Height	Dome CC	Compression	Gram Weight	Part #	Rings Included
Dish Top Turbo/Nitrous						
3.386 / 86.00	1.338	-9.0	9.00	353	3720190	1212303386
3.4055 / 86.50	1.338	-10.0	8.90	355	3720202	1212303406
3.425 / 87.00	1.338	-10.0	9.00	362	3720212	1212303425
Dome Top Turbo/Nitrous						
3.386 / 86.00	1.338	-2.5	9.90	365	3732200	1212303386
3.386 / 86.00	1.338	2.7	11.00	TBD	3739200	1515303386
3.4055 / 86.50	1.338	-2.5	10.00	373	3732220	1212303406
3.4055 / 86.50	1.338	2.1	11.00	412	3739220	1515303406
3.425 / 87.00	1.338	-2.5	10.20	382	3732240	1212303425

TOYOTA 3TC 1.8L SOHC

Stock Bore: 3.346/85 * Stroke: 3.070 * Rod: 4.840 * Head cc: 63 PIN 866X2350

Bore: Inch/mm	Comp. Height	Dome CC	Compression	Gram Weight	Part #	Rings Included
Dome Top Turbo/Nitrous						
3.4055 / 86.50	1.375	13.3	9.00	TBD	3730241	1212303406
3.425 / 87.00	1.375	12.6	9.00	TBD	3730252	1212303425
3.504 / 89.00	1.375	10.3	9.00	TBD	3730203	1212303504
Dome Top All Motor						
3.386 / 86.00	1.375	27.1	11.50	380	3730001	1012283386
3.4055 / 86.50	1.375	26.7	11.50	381	3730030	1012283406
3.425 / 87.00	1.375	24.5	11.10	380	3730050	1012283425
3.504 / 89.00	1.375	27.1	12.10	396	3730101	1012283504

TOYOTA 2RZFE

Stock Bore: 3.740/95 * Stroke: 3.386/86 * Rod: 5.315 * Head cc: 64 PIN 945X2500

Bore: Inch/mm	Comp. Height	Dome CC	Compression	Gram Weight	Part #	Rings Included
Flat Top Turbo/Nitrous						
3.740 / 95.00	1.398	-3.0	9.00	446	3720320	1515403740
3.760 / 95.50	1.398	-9.0	8.50	439	3720300	1515403760

TOYOTA 4AGE/4AGZE 1.6L

16 VALVE DOHC Stock Bore: 3.189/81 * Stroke: 3.031 * Rod: 4.804 * Head cc: 39 PIN 787X2350

Bore: Inch/mm	Comp. Height	Dome CC	Compression	Gram Weight	Part #	Rings Included
Dish Top Turbo/Nitrous						
3.209 / 81.50	1.210	-14.0	8.00	278	3721010	1212303209
3.209 / 81.50	1.201	-13.8	8.20	278	AP331669	1515403209
3.209 / 81.50	1.210	-7.9	9.00	290	3721020	1212303209
3.209 / 81.50	1.210	-4.8	9.50	289	3721070	1212303209
3.2283 / 82.00	1.210	-5.5	9.50	293	3721090	1212303228
Dome Top Turbo/Nitrous						
3.209 / 81.50	1.210	.2	10.50	300	3731020	1212303209
3.2283 / 82.00	1.210	-4	10.50	304	3731040	1212303228
Dome Top All Motor						
3.209 / 81.50	1.210	4.2	11.50	296	3731220	1012283209
3.209 / 81.50	1.210	7.5	12.50	300	3731320	1012283209
3.209 / 81.50	1.190	7.5	TBD	288	3730300	1012283209
3.2283 / 82.00	1.210	7.1	12.50	304	3731340	1012283228

TOYOTA 2ZZGE

Stock Bore: 3.2283/82 * Stroke: 3.346 * Rod: 5.433 * Head cc: 40.3 PIN 787X2350

Bore: Inch/mm	Comp. Height	Dome CC	Compression	Gram Weight	Part #	Rings Included
Flat Top Turbo/Nitrous						
3.2283 / 82.00	1.228	1.6	11.50	TBD	3730600	1012283228
3.248 / 82.50	1.228	1.6	11.60	TBD	3730610	1012283248

SPORT COMPACT CATALOG

TOYOTA 4AGE 1.6L 20 VALVE DOHC

Stock Bore: 3.189/81 * Stroke: 3.031 * Rod: 4.810 *						
Head cc: 37.8 PIN 787X2350				20 Valve Black Top (BT) / Silver Top (ST)		
Bore: Inch/mm	Comp. Height	Dome CC	Compression Silver 34.5cc	Gram Weight	Part #	Rings Included
Dish Top Turbo/Nitrous						
3.209 / 81.50	1.209	-9.0	9.20	TBD	3720051	1212303209
Dome Top All Motor/Nitrous						
3.209 / 81.50	1.209	0.2	11.30	TBD	3730400	1012283209

TOYOTA 4EFTE

Stock Bore: 2.913/74 * Stroke: 3.047/77.4 * Rod: 4.646 *						
Head cc: 35 PIN 708X2050						
Bore: Inch/mm	Comp. Height	Dome CC	Compression	Gram Weight	Part #	Rings Included
Dish Top Turbo/Nitrous						
2.9134 / 74.00	1.180	-4.0	8.50	251	3720600	1212302913
2.9134 / 74.00	1.180	-2.0	8.70	TBD	3710200	1212302913
2.933 / 74.50	1.180	-4.0	8.50	254	3720620	1212302933
2.933 / 74.50	1.180	-2.6	8.70	TBD	3710210	1212302933

TOYOTA 7AFE 1.8L DOHC

Stock Bore: 3.189/81 * Stroke: 3.031 * Rod: 4.810 *						
Head cc: 39				1990-UP Celica, Corolla		
Bore: Inch/mm	Comp. Height	Dome CC	Compression Silver 34.5cc	Gram Weight	Part #	Rings Included
Flat Top Turbo/Nitrous						
3.228 / 82.00	1.190	-4.3	10.30	TBD	3710002	1212303228
Dome Top All Motor						
3.209 / 81.50	1.190	7.2	13.50	288	3730300	1012283209

TOYOTA 7MGTE 3.0L

Stock Bore: 3.267/83 * Stroke: 3.582 * Rod: 5.984 *						
Head cc: 40 PIN 866X2350				1987-92 Supra		
Bore: Inch/mm	Comp. Height	Dome CC	Compression	Gram Weight	Part #	Rings Included
Inverted Dome Top Turbo/Nitrous						
3.287 / 83.50	1.299	-16.0	8.90	315	3720001	1212303287
3.287 / 83.50	1.299	-9.2	10.00	TBD	3720010	1212303287
3.307 / 84.00	1.299	-16.0	9.00	316	3720101	1212303307
3.307 / 84.00	1.299	-9.2	10.10	TBD	3720110	1212303307

TOYOTA FR-S GT86/Subaru BRZ FA20

Stock Bore: 3.386/86 * Stroke: 86 * Rod: 129.3 * Head cc: 39 PIN 866X2350						
Bore: Inch/mm	Comp. Height	Dome CC	Compression	Gram Weight	Part #	Rings Included
Inverted Dome Top Turbo/Nitrous						
3.386 / 86.00	1.280	-10.5	10.00	317	3728620	1212303386
3.4055 / 86.50	1.280	-10.5	10.10	317	3728640	1212303406

VW 2.0L ABA 8 valve

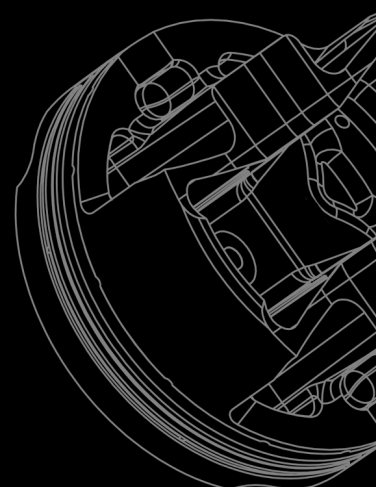
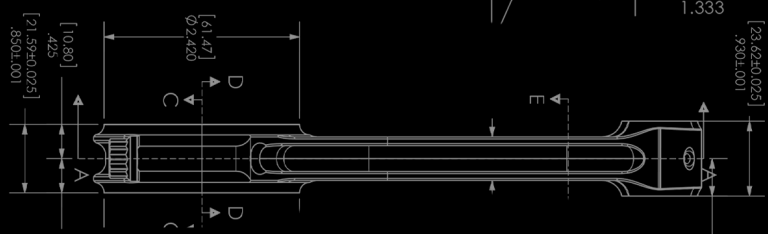
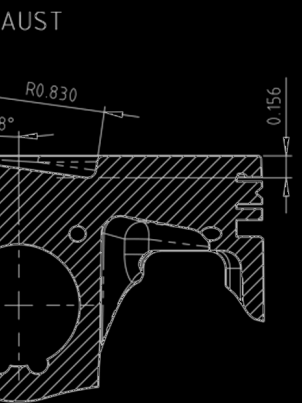
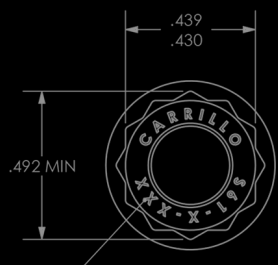
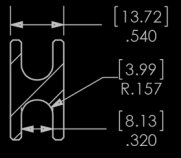
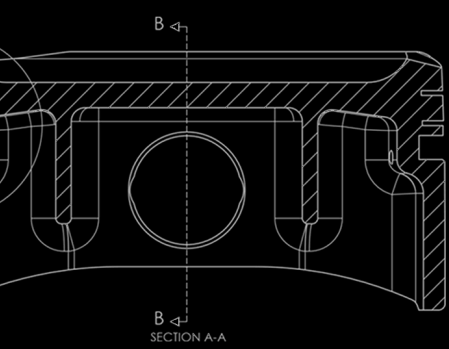
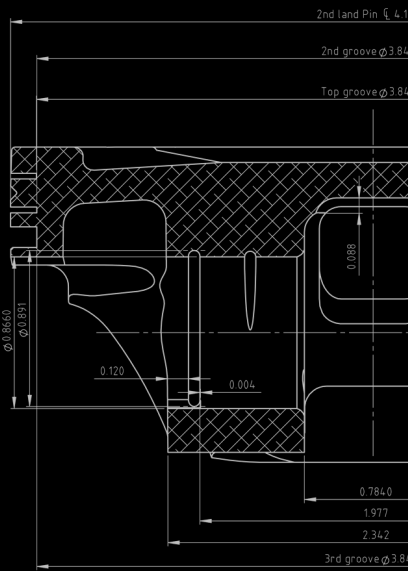
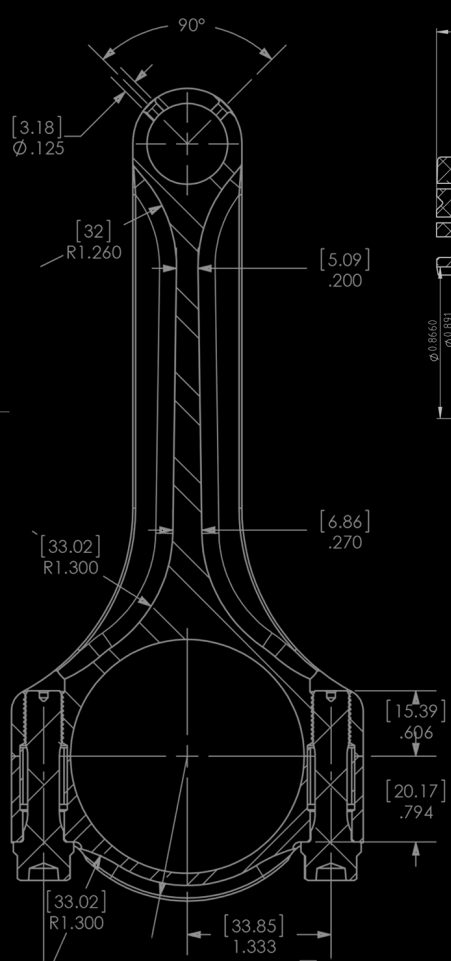
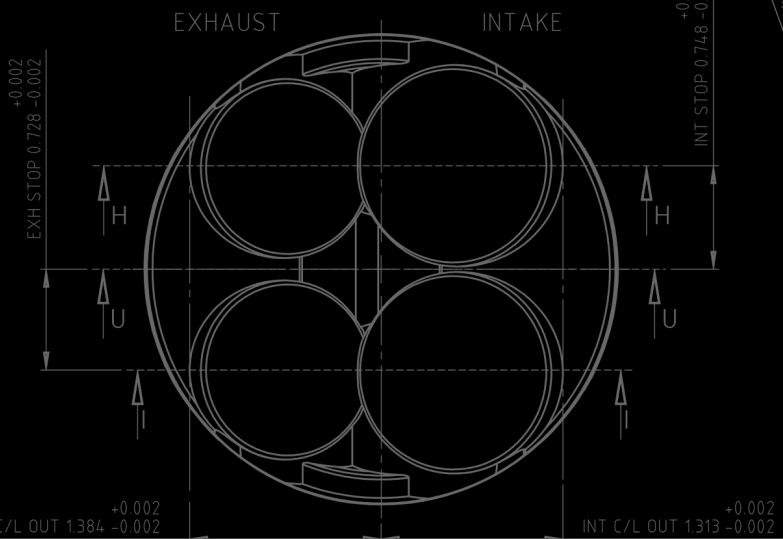
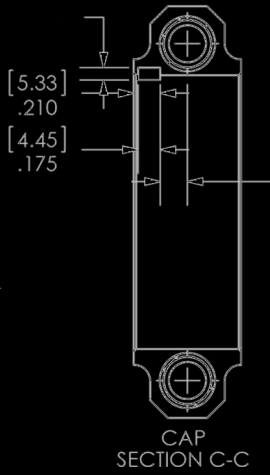
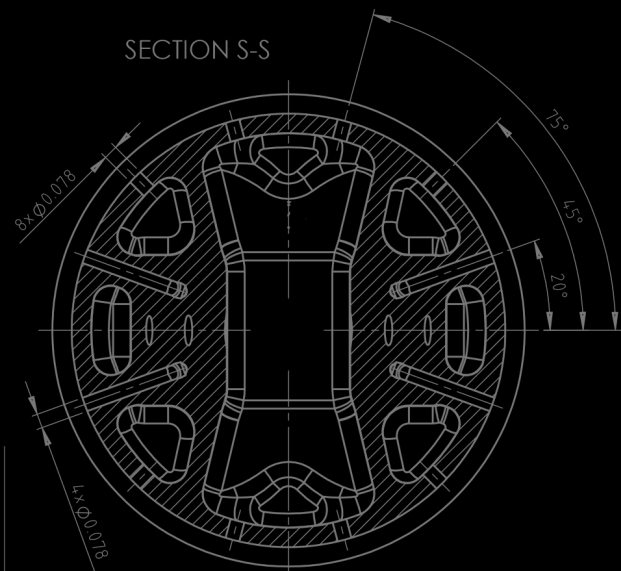
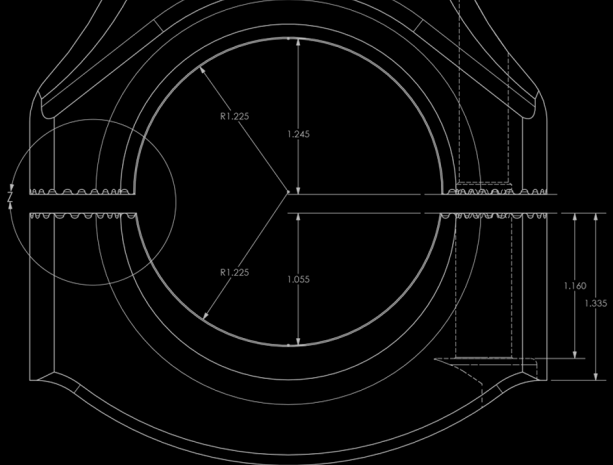
Stock Bore: 3.248/82.5 * Stroke: 3.654 * Rod: 6.260 *						
Head cc: 30 PIN 827X2350						
Bore: Inch/mm	Comp. Height	Dome CC	Compression	Gram Weight	Part #	Rings Included
Dish Top Turbo/Nitrous						
3.248 / 82.50	1.200	-20.6	9.70	289	3820001	1215303248
3.268 / 83.00	1.200	-13.3	11.00	TBD	3820020	1212303268
Dish Top						
3.268 / 83.00	1.200	-13.2	11.00	282	3820101	1012283268

VW VR6 2.8L 12 valve

Stock Bore: 3.189/81 * Stroke: 3.552 * Rod: 6.457 *						
Chamber cc: 27 PIN 787X2350						
Bore: Inch/mm	Comp. Height	Dome CC	Compression	Gram Weight	Part #	Rings Included
Dish Top Turbo/Nitrous						
3.2283 / 82.00	1.275	-27.0	9.00	326	3820202	1212303228
3.248 / 82.50	1.275	-19.0	9.40	337	3820301	1212303248
Dish Top						
3.228 / 82.00	1.275	-7.3	11.65	TBD	3820400	1012283228
3.248 / 82.50	1.275	-7.3	11.75	282	3820500	1012283248



SINCE 1969



PROUDLY MADE IN USA



FOLLOW US ON