



1902 Mc Gaw
 Irvine, CA 92614 USA
 P: 949-567-9000
 F: 949-567-9010
 www.cp-carrillo.com

STANDARD CONNECTING ROD SPEC SHEET

To be filled out by CP-Carrillo LLC		Customer:			
ERN:		Phone:			
FA:		Date:		Sales Rep:	
Reference Part No.:					
New Part No.:					

ENGINE DATA

Engine Type (Code): <small>(e.g. Chevy Small Block, Subaru EJ25, etc.)</small>					
Application: <small>(e.g. Road Race, Drag Race, Sprint Car, etc.)</small>					
No. of Cylinders:		-			
Bore:		<input type="radio"/> in / <input type="radio"/> mm			
Stroke:		<input type="radio"/> in / <input type="radio"/> mm			
Max. Power Output @crank:		<input type="radio"/> HP / <input type="radio"/> kW			
Speed @ max Power:		RPM			
Max. Torque @crank:		<input type="radio"/> ftlb / <input type="radio"/> Nm			
Speed @ max Torque:		RPM			
Max. Engine speed:		RPM			
Max. Engine over rev:		RPM			
Max. Cylinder pressure:		<input type="radio"/> psi / <input type="radio"/> bar			
Boost pressure: <small>(if applicable)</small>		<input type="radio"/> psi / <input type="radio"/> bar			
Compression ratio:		-			
Fuel Type: <small>(e.g. Alcohol, Race gas, etc.)</small>					
NOS:		<input type="radio"/> no	<input type="radio"/> yes		
Does engine have Oil squirters		<input type="radio"/> no	<input type="radio"/> yes		
Piston Assembly Weight <small>(=piston+pin+rings+locks)</small>		g			

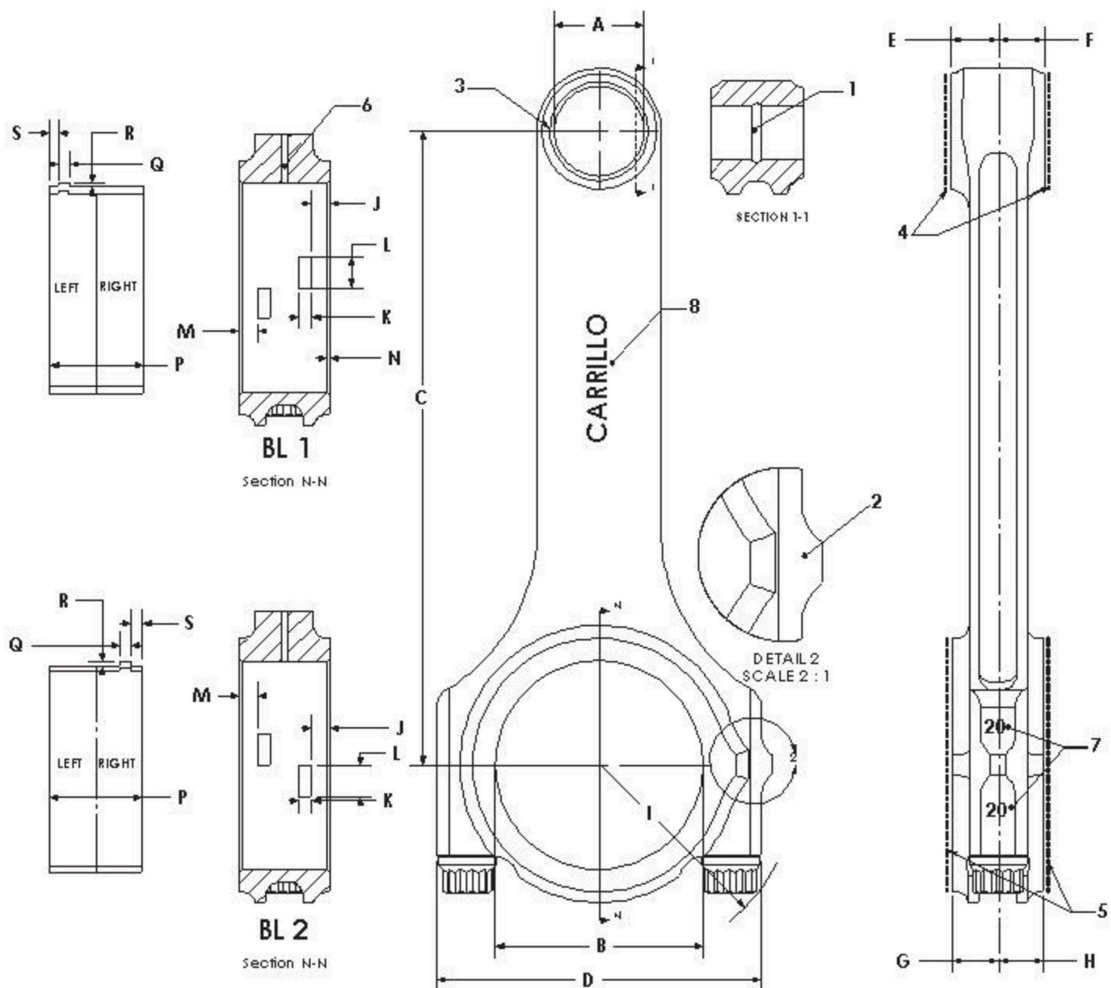
CONNECTING ROD DATA

Target weight:	Total:	g	Recip.	g
Required Durability	<input type="radio"/> mi / <input type="radio"/> h / <input type="radio"/> Load Cycles			
Rod Bearing Part No.:				
Preferred Bolt Size:				
Preferred Bolt Material:	CARR	WMC		
Wrist Pin OD:	<input type="radio"/> in / <input type="radio"/> mm			
PE Bushing:	<input type="radio"/> no	<input type="radio"/> yes		
Preferred Beam Type:	<input type="radio"/> H-Beam <input type="radio"/> A-Beam <input type="radio"/> Super A-Beam			
Guidance:	<input type="radio"/> Piston <input type="radio"/> BE <input type="radio"/> Dual			
Oil hole position:	<input type="radio"/> Top (12 o'clock) <input type="radio"/> Bottom <input type="radio"/> 10 & 2 o'clock <input type="radio"/> None			



1902 Mc Gaw
 Irvine, CA 92614 USA
 P: 949-567-9000
 F: 949-567-9010
 www.cp-carrillo.com

General Dimensions			Bearing Tang	
	inches	mm	Configuration:	BL1 BL2
			inches	mm
A			J	
B			K	
C			L	
D			M	
E			N	
F			P	
G			Q	
H			R	
I			S	
Upgrade Features			Comments:	
1	Annular Groove	<input type="radio"/> yes <input type="radio"/> no		
2	Lipped Cap	<input type="radio"/> yes <input type="radio"/> no		
3	Bushing	<input type="radio"/> BeCu <input type="radio"/> Toughmet		
4	PE Lapped Finish	<input type="radio"/> yes <input type="radio"/> no		
5	BE Lapped Finish	<input type="radio"/> yes <input type="radio"/> no		
6	FPO	<input type="radio"/> yes <input type="radio"/> no		
7	Serialization	<input type="radio"/> yes <input type="radio"/> no		
8	Custom Laser Mark	<input type="radio"/> yes <input type="radio"/> no		





OUTLAW
SPEED SHOP

www.outlawspeed.com.au

Custom Order Release

Please be advised that in placing this order for custom manufactured merchandise you are accepting full responsibility for the correctness and accuracy of all pertinent ordering information.

Further, be advised that by filling out and signing this form you are affirming the correctness and accuracy of the information contained herein and authorizing Outlaw Speed Shop to order this

custom merchandise. Once this form has been signed, the purchaser assumes full responsibility for paying for the custom merchandise and no refund will be issued unless it can be shown that any errors or defects were the fault of the manufacturer and not caused by incorrect information.

As a rule, custom orders cannot be cancelled once the order is placed with the manufacturer.

All custom orders are subject to freight and handling charges from the manufacturer.

No returns will be accepted on custom-built items.

Customer Name _____

Address _____

City _____ State _____ Post Code _____

Phone _____

Fax _____

Email _____

Print Your Name _____ Date _____

Authorized Signature _____

Outlaw Speed Shop

50 Grand Junction Rd, Rosewater, S.A, 5013

web: www.outlawspeed.com.au | phone: 08 8240 9500 | fax: 08 8240 3619